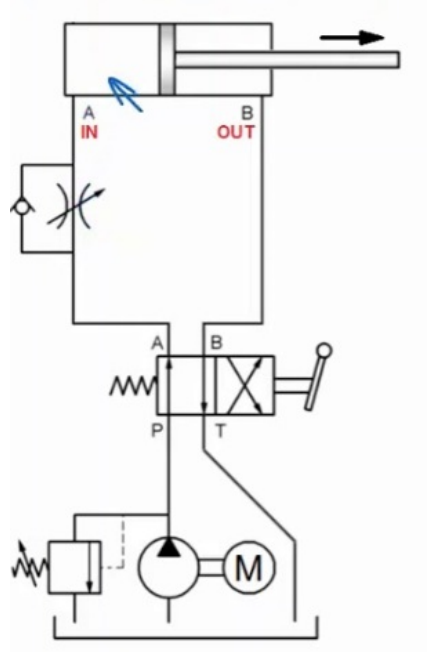
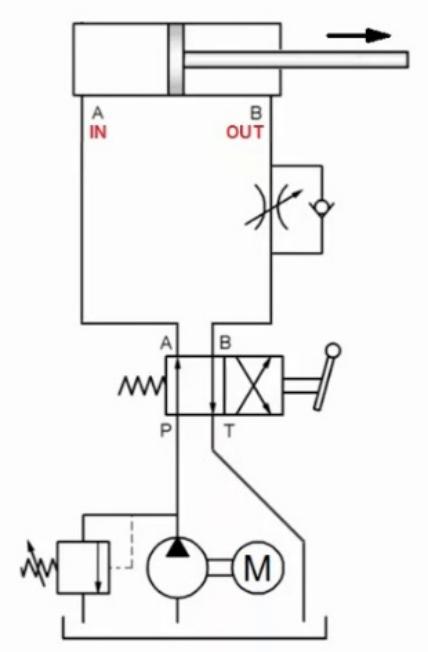


# PROCESSING ELEMENT 1

One-way flow control valve

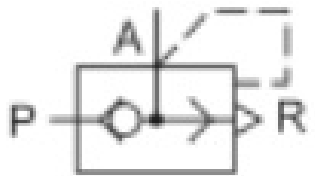


Meter-in for Extension  
Uncontrolled for Retraction



Meter-out for Extension  
Uncontrolled for Retraction

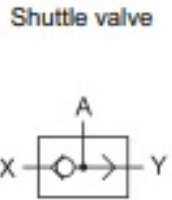
Quick exhaust valve



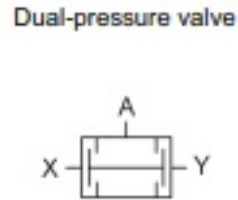
Pneumatic

# PROCESSING ELEMENT 2

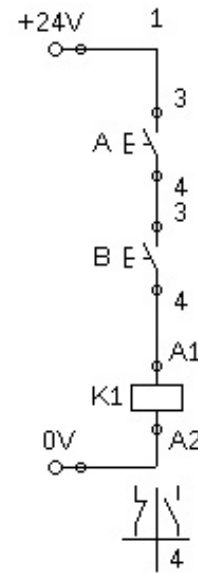
OR



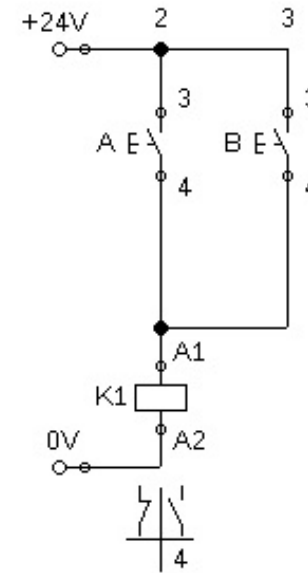
AND



AND



OR



AND

A	B	$A \wedge B$
True	True	True
True	False	False
False	True	False
False	False	False

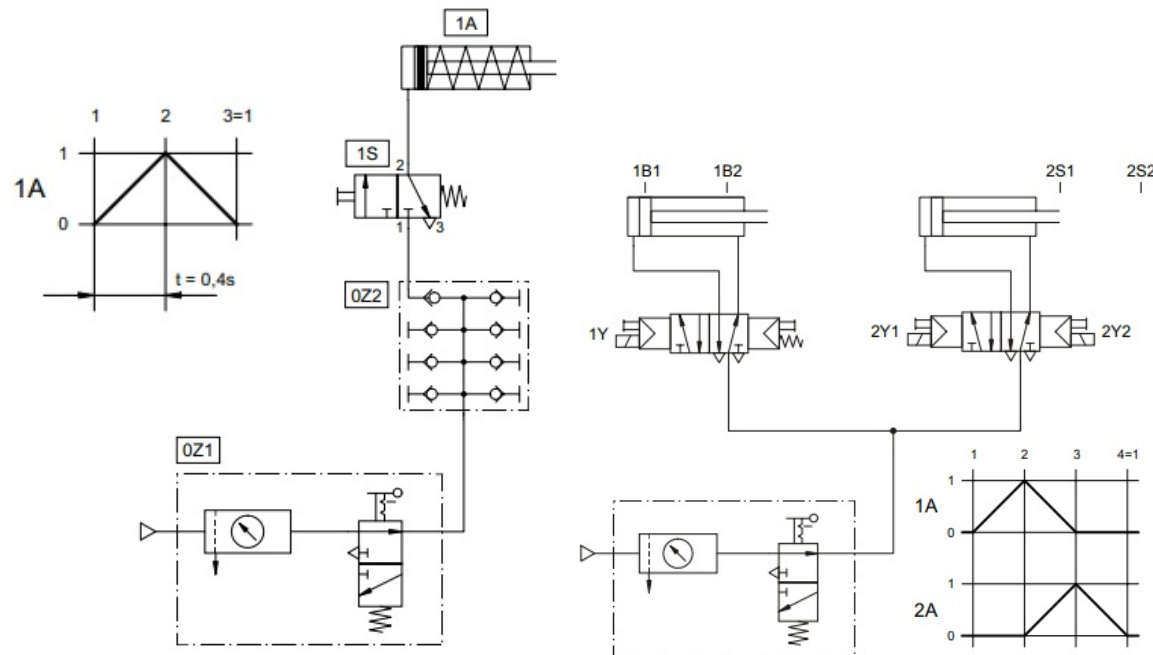
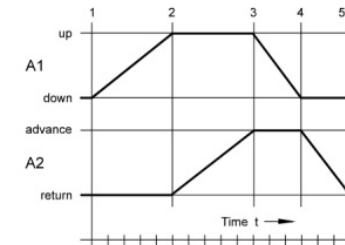
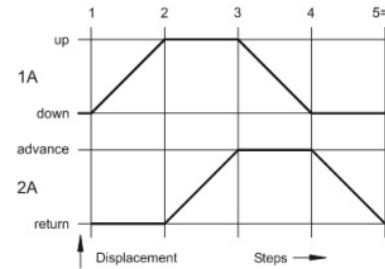
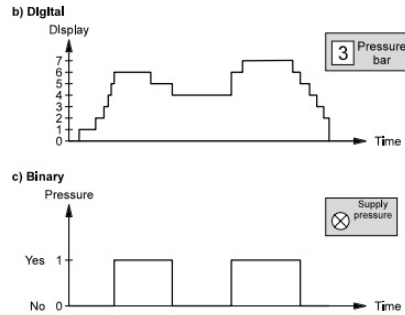
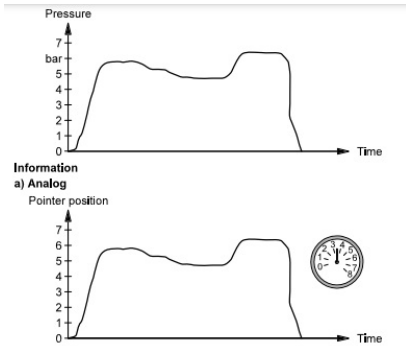
OR

A	B	$A \vee B$
True	True	True
True	False	True
False	True	True
False	False	False

Pneumatic

Electropneumatic

# Grafik Pergerakan Pneumatic



# PRAKTIKUM 1