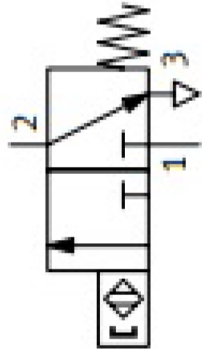
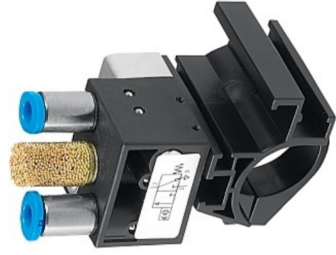
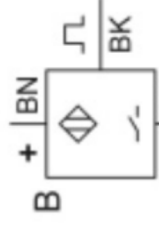


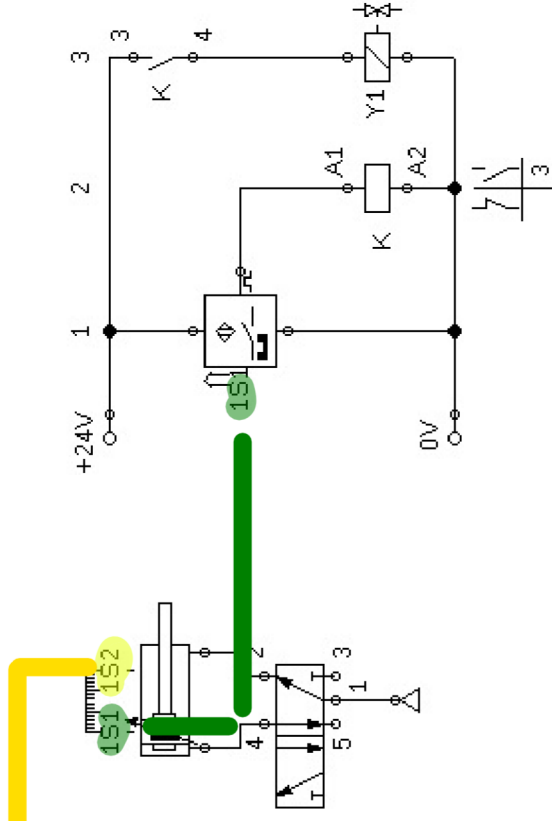
INPUT ELEMENT 3



Proximity sensor with cylinder mounting



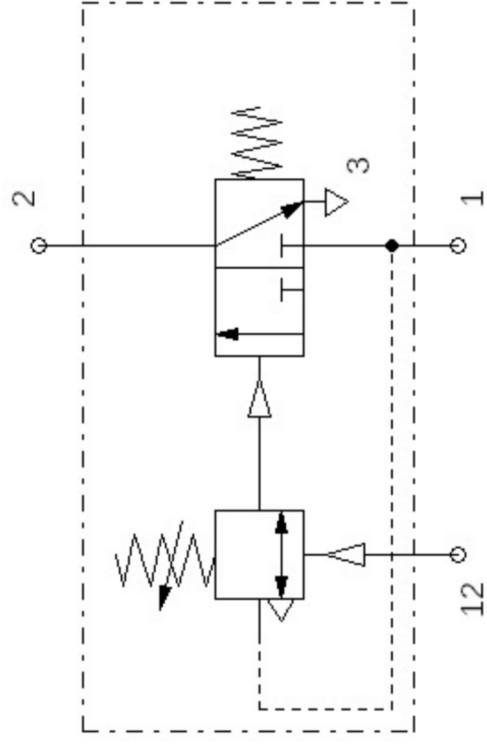
Position Sensor



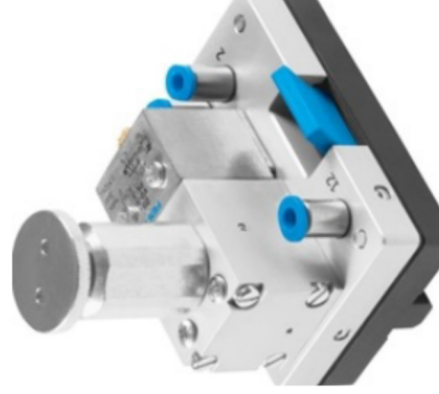
Pneumatic

Electro pneumatic

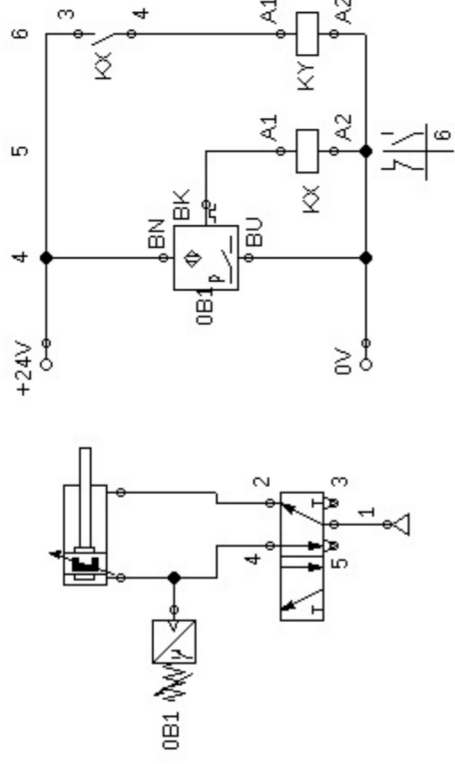
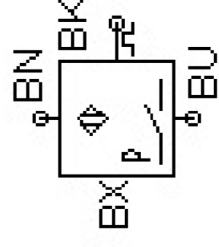
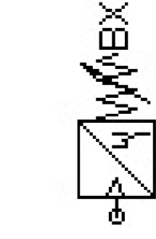
INPUT ELEMENT 3



Pressure Square Valve



Pneumatic



Electronneumatic

PRAKTIKUM 5