

Peter Croser, Frank Ebel

Pneumatics

Basic Level

FESTO

Order no.: 093131
Description: PNEUM.GS.LEHRB
Designation: D.LB-TP101-1-GB
Edition: 10/2002
Layout: B. Huber
Graphics: D. Schwarzenberger, T. Ocker
Author: P. Croser, F. Ebel

© Copyright by Festo Didactic GmbH & Co., 73770 Denkendorf 2002

The copying, distribution and utilization of this document as well as the communication of its contents to others without expressed authorization is prohibited. Offenders will be held liable for the payment of damages. All rights reserved, in particular the right to carry out patent, utility model or ornamental design registrations.

Notes on the layout of the book.....	8
---------------------------------------------	----------

Section A: Course

Chapter 1 – Characteristics and applications of pneumatics	11
-------------------------------------------------------------------------	-----------

1.1 Pneumatics in review	12
1.2 Pneumatics and control system development	18
1.3 Structure and signal flow of pneumatic systems	19

Chapter 2 – Components of a pneumatic system	23
-----------------------------------------------------------	-----------

2.1 Air generation and distribution	24
2.2 Valves	27
2.3 Processing elements (processors).....	33
2.4 Power components	34
2.5 Systems	35

Chapter 3 – Symbols and standards in pneumatics	39
--------------------------------------------------------------	-----------

3.1 Symbols and descriptions of components	40
3.2 Safety requirements for pneumatic systems	51

Chapter 4 – Methods for the development of pneumatic systems	55
4.1 Development of pneumatic systems.....	56
4.2 Control chain	57
4.3 Design of the circuit diagram	60
4.4 Circuit layout.....	61
4.5 Designation of individual elements	62
4.6 The life cycle of a pneumatic system.....	63
Chapter 5 – Development of single actuator circuits	67
5.1 Direct control of a pneumatic cylinder	68
5.2 Example 1: Direct control of a single-acting cylinder.....	68
5.3 Exercise 1: Direct control of a double-acting cylinder.....	70
5.4 Indirect control of a pneumatic cylinder	72
5.5 Example 2: Indirect control of a single-acting cylinder	72
5.6 Exercise 2: Indirect control of a double-acting cylinder	74
5.7 Logic functions: AND, OR.....	76
5.8 Example 3: The logic AND function.....	76
5.9 Exercise 3: The logic AND function	79
5.10 Example 4: The logic OR function	81
5.11 Exercise 4: The logic OR function	83
5.12 Example 5: Memory circuit and speed control of a cylinder	85
5.13 Exercise 5: Memory circuit and speed control of a cylinder	88
5.14 Exercise 6: The quick exhaust valve	90
5.15 Example 6: Pressure dependent control	92
5.16 Exercise 7: Pressure dependent control.....	94
5.17 Example 7: The time delay valve.....	96
5.18 Exercise 8: The time delay valve.....	99

Chapter 6 – Development of multiple actuator circuits	101
6.1 Control of multiple actuators	102
6.2 Example 8: Co-ordinated motion	102
6.3 Example 9: Signal overlap	107
6.4 Signal elimination by reversing valves	109
6.5 Example 10: Reversing valve	109
6.6 Example 11: Reversing valves	112
Chapter 7 – Trouble-shooting of pneumatic systems	115
7.1 Documentation	116
7.2 The causes and effects of malfunctions.....	116
7.3 Maintenance	120
Section B: Theory	
Chapter 1 – Fundamentals of pneumatics	123
1.1 Physical fundamentals	124
1.2 Characteristics of air	126
Chapter 2 – Air generation and distribution	129
2.1 Air preparation	130
2.2 Air compressors	131
2.3 Reservoirs.....	134
2.4 Air dryers.....	136
2.5 Air distribution	141
2.6 Service unit	144

Chapter 3 – Actuators and output devices	155
3.1 Single-acting cylinders.....	156
3.2 Double-acting cylinders	158
3.3 Rodless cylinders	164
3.4 Cylinder construction	167
3.5 Cylinder performance characteristics	170
3.6 Motors.....	176
3.7 Indicators	178
Chapter 4 – Directional control valves	179
4.1 Configuration and construction.....	180
4.2 2/2-way valve.....	181
4.3 3/2-way valve.....	181
4.4 4/2-way valve.....	193
4.5 4/3-way valve.....	195
4.6 5/2-way valve.....	197
4.7 5/3-way valve.....	200
4.8 Flow values of valves	201
4.9 Reliable operation of valves	202
Chapter 5 – Non-return, flow and pressure valves, valve combinations	203
5.1 Non-return valves	204
5.2 Flow control valves	211
5.3 Pressure valves	216
5.4 Combinational valves	218

Chapter 6 – Systems	223
6.1 Selection and comparison of working and control media.....	224
6.2 Control theory	227
6.3 Control system development	231
6.4 Development aspects	240
6.5 Modern pneumatic drives.....	241

Section C: Solutions

Solutions	245
List of standards	264
List of references	265
Index	267
Physical values and units	274

Notes on the layout of the book

This textbook forms part of the Learning System for Automation and Technology from Festo Didactic GmbH & Co. It has been designed for training courses and is also suitable for the purpose of self-tuition.

The book is divided into the following sections :

Part A: Course section,
Part B: Theory section,
Part C: Solutions to the exercises.

Part A: Course

The course provides the necessary information on the subject concerned using both examples and exercises, and is to be worked through in sequence. Subjects which are dealt with in greater depth in the Theory section are marked in the text.

Part B: Theory

This section contains detailed information on fundamentals. Topics are set out in a logical manner. The student can either work through this section chapter by chapter or use it for reference purposes.

Part C: Solutions

This section contains the solutions to the exercises in Part A.

A comprehensive index is provided at the end of the textbook.

The concept of this textbook supports training in key qualifications in the newly structured engineering and electro-technical vocations. Particular value is attached to the fact that students have the option of learning the subject concerned by working through the course section independently.

The book can be incorporated into an existing training program.

Section A

Course

Chapter 1

Characteristics and applications of pneumatics

1.1 Pneumatics in review

Pneumatics has long since played an important role as a technology in the performance of mechanical work. It is also used in the development of automation solutions.

In the majority of applications compressed air is used for one or more of the following functions:

- To determine the status of processors (sensors)
- Information processing (processors)
- Switching of actuators by means of final control elements
- Carrying out work (actuators)

To be able to control machinery and installations necessitates the construction of a generally complex logic interconnection of statuses and switching conditions. This occurs as a result of the interaction of sensors, processors, control elements and actuators in pneumatic or partly pneumatic systems.

The technological progress made in material, design and production processes has further improved the quality and diversity of pneumatic components and thereby contributed to their widely spread use in automation.

The pneumatic cylinder has a significant role as a linear drive unit, due to its

- relatively low cost,
- ease of installation,
- simple and robust construction and
- ready availability in various sizes and stroke lengths.

The pneumatic cylinder has the following general characteristics:

- | | |
|--------------------|-----------------------|
| ▪ Diameters | 2.5 to 320 mm |
| ▪ Stroke lengths | 1 to 2000 mm |
| ▪ Available forces | 2 to 45000 N at 6 bar |
| ▪ Piston speed | 0.1 to 1.5 m/s |



Fig. 1.1
Single-acting cylinder

Pneumatic components can perform the following types of motion:

- Linear
- Swivel
- Rotary

Some industrial applications employing pneumatics are listed below:

- General methods of material handling:
 - Clamping
 - Shifting
 - Positioning
 - Orienting
 - Branching of material flow
- General applications:
 - Packaging
 - Filling
 - Metering
 - Locking
 - Driving of axes
 - Door or chute control
 - Transfer of materials
 - Turning and inverting of parts
 - Sorting of parts
 - Stacking of components
 - Stamping and embossing of components

Fig. 1.2
Points switch for two
conveyor belts

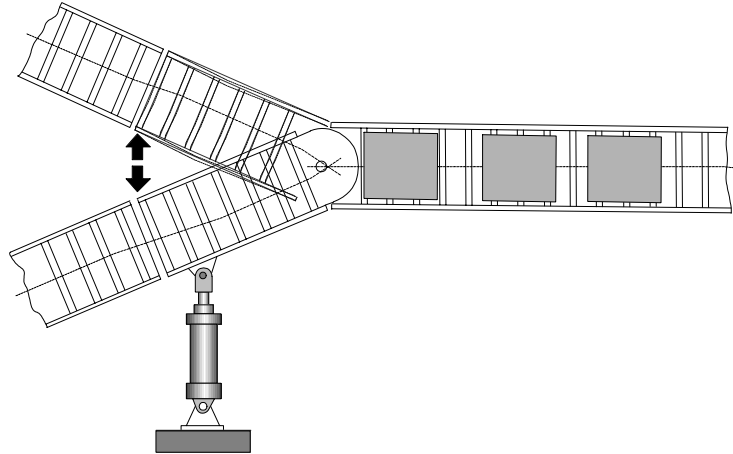
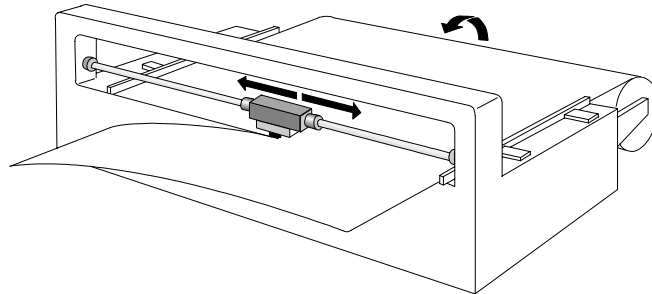


Fig. 1.3
Pneumatic cutter



Pneumatics is used in carrying out machining and working operations.
For example:

- Drilling
- Turning
- Milling
- Sawing
- Finishing
- Forming
- Quality control

Advantages and distinguishing characteristics of compressed air:

Availability	Air is available practically everywhere in unlimited quantities.
Transport	Air can be easily transported in pipelines, even over large distances.
Storage	Compressed air can be stored in a reservoir and removed as required. In addition, the reservoir can be transportable.
Temperature	Compressed air is relatively insensitive to temperature fluctuations. This ensures reliable operation, even under extreme conditions.
Explosion proof	Compressed air offers no risk of explosion or fire.
Cleanliness	Unlubricated exhaust air is clean. Any unlubricated air which escapes through leaking pipes or components does not cause contamination.
Components	The operating components are of simple construction and therefore relatively inexpensive.
Speed	Compressed air is a very fast working medium. This enables high working speeds to be attained.
Overload safe	Pneumatic tools and operating components can be loaded to the point of stopping and are therefore overload safe.

*T 1.1
Advantages and
distinguishing
characteristics of
compressed air*

In order to accurately define the areas of application of pneumatics, it is also necessary to be acquainted with the negative characteristics:

<i>T 1.2 Disadvantages of pneumatics</i>	Preparation	Compressed air requires good preparation. Dirt and condensate should not be present.
	Compression	It is not always possible to achieve uniform and constant piston speeds with compressed air.
	Force requirement	Compressed air is economical only up to a certain force requirement. Under the normal working pressure of 600 to 700 kPa (6 to 7 bar) and dependent on the travel and speed, the output limit is between 40 000 and 50 000 Newtons.
	Noise level	The exhaust air is loud. This problem has now, however been largely solved due to the development of sound absorption material and silencers.

A comparison with other forms of energy is an essential part of the selection process when considering pneumatics as a control or working medium. This evaluation embraces the total system from the input signal (sensors) through the control part (processor) to the control elements and actuators. All factors must be considered such as:

- Preferred control methods
- Available resources
- Available expertise
- Systems currently installed which are to be integrated with the new project

Choice of working media:

- Electrical current (electricity)
- Fluids (hydraulics)
- Compressed air (Pneumatics)
- A combination of the above

*Criteria for a
working medium*

Selection criteria for the working section:

- Force
- Stroke
- Type of motion (linear, swivelling, rotating)
- Speed
- Service life
- Safety and reliability
- Energy costs
- Controllability
- Storage

Choice of control media:

- Mechanical connections (mechanics)
- Electrical current (electrics, electronics)
- Fluids (hydraulics)
- Compressed air (pneumatics, low pressure pneumatics)

*Criteria for a
control medium*

Selection criteria for the control section:

- Reliability of components
- Sensitivity to environmental influences
- Ease of maintenance and repair
- Switching time of components
- Signal speed
- Space requirements
- Service life
- Modification of the control system
- Training requirements of operators and maintenance personnel

1.2. Pneumatics and control system development

The product development in pneumatics can be considered in a number of areas:

- Actuators
- Sensors and input devices
- Processors
- Accessories
- Control systems

The following factors must be taken into account in the development of pneumatic control systems:

- Reliability
- Ease of maintenance
- Cost of spare parts
- Assembly and connection
- Maintenance and repair costs
- Interchangeability and adaptability
- Compact design
- Economic efficiency
- Documentation

1.3 Structure and signal flow of pneumatic systems

Pneumatic systems consist of an interconnection of different groups of elements.

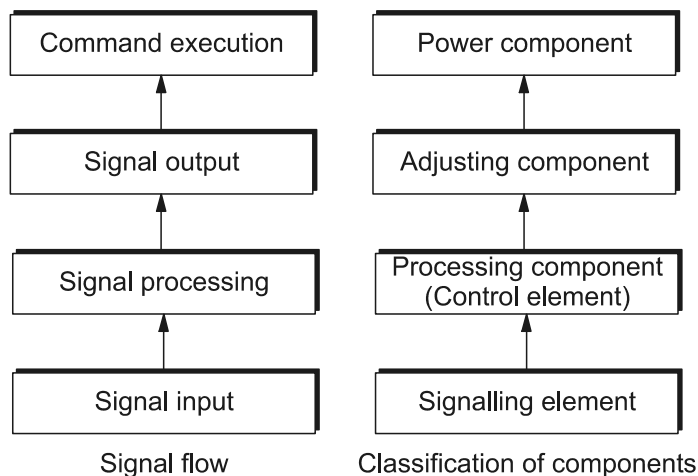


Fig. 1.4
Signal flow

This group of elements forms a control path for signal flow, starting from the signal section (input) through to the actuating section (output).

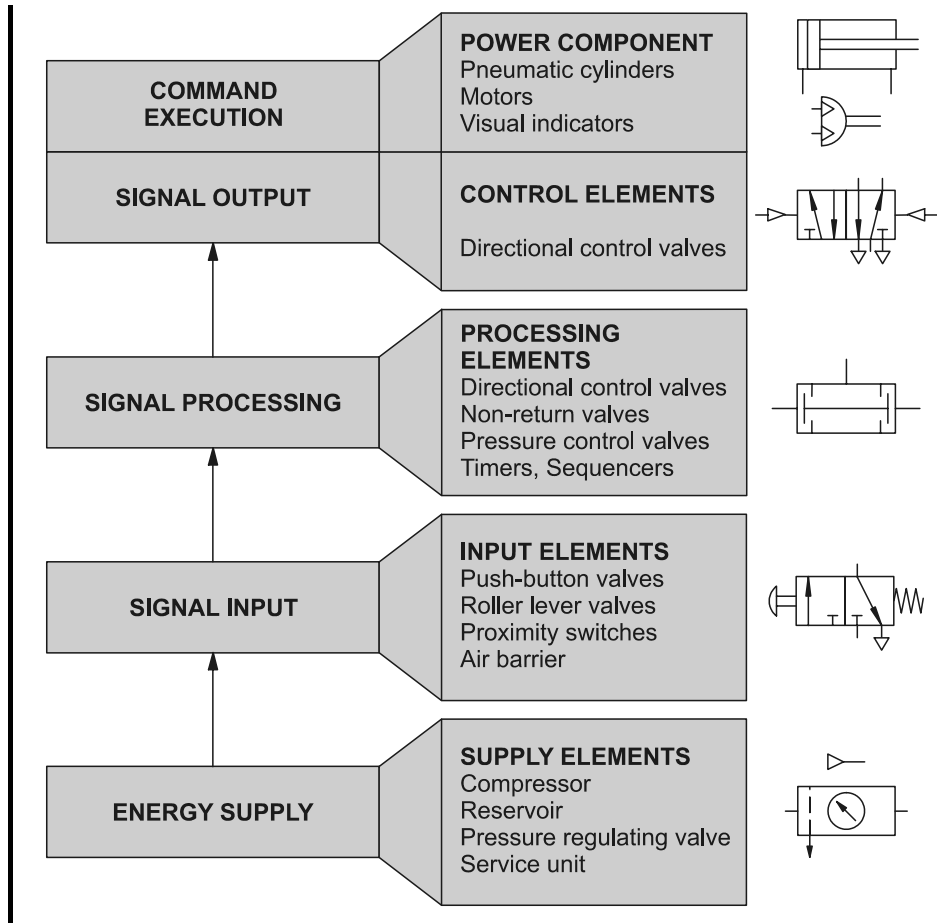
Control elements control the actuating elements in accordance with the signals received from the processing elements.

The primary levels in a pneumatic system are:

- Energy supply
- Input elements (sensors)
- Processing elements (processors)
- Control elements
- Power components (actuators)

The elements in the system are represented by symbols which indicate the function of the element.

Fig. 1.5
Pneumatic control system



A directional control valve can be used as an input, processing or control element. The distinguishing feature for the allocation of the individual components to the respective groups of elements is the configuration within a pneumatic system.

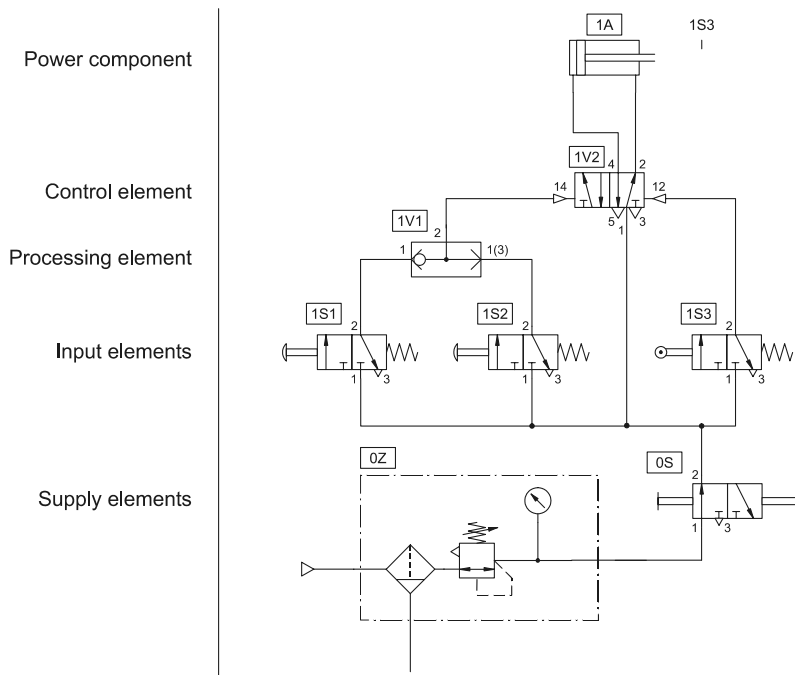


Fig. 1.6
Circuit diagram and
pneumatic elements

Chapter 2

Components of a pneumatic system

2.1 Air generation and distribution

The compressed air supply for a pneumatic system should be adequately calculated and made available in the appropriate quality.

Air is compressed by the air compressor and delivered to an air distribution system in the factory. To ensure the quality of the air is acceptable, air service equipment is utilised to prepare the air before being applied to the control system.

Malfunctions can be considerably reduced in the system if the compressed air is correctly prepared. A number of aspects must be considered in the preparation of the service air:

- Quantity of air required to meet the demands of the system
- Type of compressor to be used to produce the quantity required
- Pressure requirements
- Storage required
- Requirements for air cleanliness
- Acceptable humidity levels to reduce corrosion and sticky operation
- Lubrication requirements, if necessary
- Temperature of the air and effects on the system
- Line sizes and valve sizes to meet demand
- Material selection to meet environmental and system requirements
- Drainage points and exhaust outlets in the distribution system
- Layout of the distribution system to meet demand.

As a rule pneumatic components are designed for a maximum operating pressure of 800-1000 kPa (8 - 10 bar) but in practice it is recommended to operate at between 500-600 kPa (5 and 6 bar) for economic use. Due to the pressure losses in the distribution system the compressor should deliver between 650-700 kPa (6.5 and 7) bar to attain these figures.

A reservoir should be fitted to reduce pressure fluctuations. In some cases, the term 'receiver' is also used to describe a reservoir.

The compressor fills the reservoir which is available as a storage tank.

The pipe diameter of the air distribution system should be selected in such a way that the pressure loss from the pressurised reservoir to the consuming device ideally does not exceed approx. 10 kPa (0.1 bar). The selection of the pipe diameter is governed by:

- Flow rate
- Line length
- Permissible pressure loss
- Operating pressure
- Number of flow control points in the line

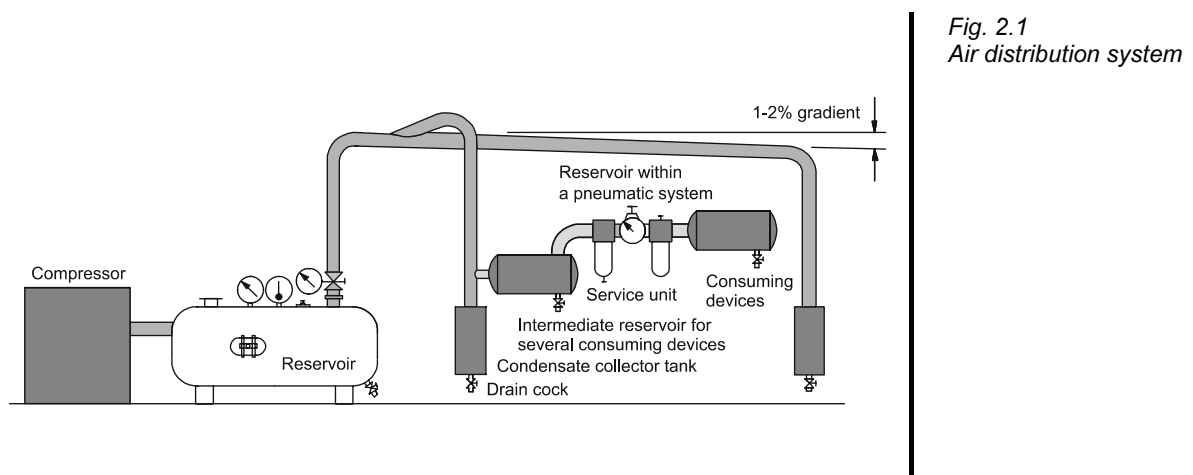


Fig. 2.1
Air distribution system

Ring circuits are most frequently used as main lines. This method of installing pressure lines also achieves a constant supply in the case of high air consumption. The pipe lines must be installed in the direction of flow with a gradient of 1 to 2%. This is particularly important in the case of branch lines. Condensate can be removed from the lines at the lowest point.

Any branchings of air consumption points where lines run horizontally should always be installed on the upper side of the main line.

Branchings for condensate removal are installed on the underside of the main line.

Shut-off valves can be used to block sections of compressed air lines if these are not required or need to be closed down for repair or maintenance purposes.

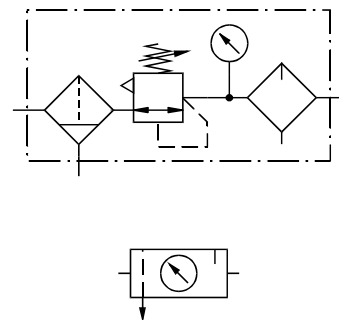
The air service unit is a combination of the following :

- Compressed air filter (with water separator)
- Compressed air regulator
- Compressed air lubricator

However, the use of a lubricator does not need to be provided for in the power section of a control system unless necessary, since the compressed air in the control section does not necessarily need to be lubricated.

The correct combination, size and type of these elements are determined by the application and the control system demand. An air service unit is fitted at each control system in the network to ensure the quality of air for each individual task.

Fig. 2.2
Air service unit



The compressed air filter has the job of removing all contaminants from the compressed air flowing through it as well as water which has already condensed. The compressed air enters the filter bowl through guide slots. Liquid particles and larger particles of dirt are separated centrifugally collecting in the lower part of the filter bowl. The collected condensate must be drained before the level exceeds the maximum condensate mark, as it will otherwise be re-entrained in the air stream.

*Compressed
air filter*

The purpose of the regulator is to keep the operating pressure of the system (secondary pressure) virtually constant regardless of fluctuations in the line pressure (primary pressure) and the air consumption.

*Compressed
air regulator*

The purpose of the lubricator is to deliver a metered quantity of oil mist into a leg of the air distribution system when necessary for the operation of the pneumatic system.

*Compressed
air lubricator*

2.2 Valves

The function of valves is to control the pressure or flow rate of pressure media. Depending on design, these can be divided into the following categories:

- Directional control valves
 - Input/signalling elements
 - Processing elements
 - Control elements
- Non-return valves
- Flow control valves
- Pressure control valves
- Shut-off valves

Directional control valves

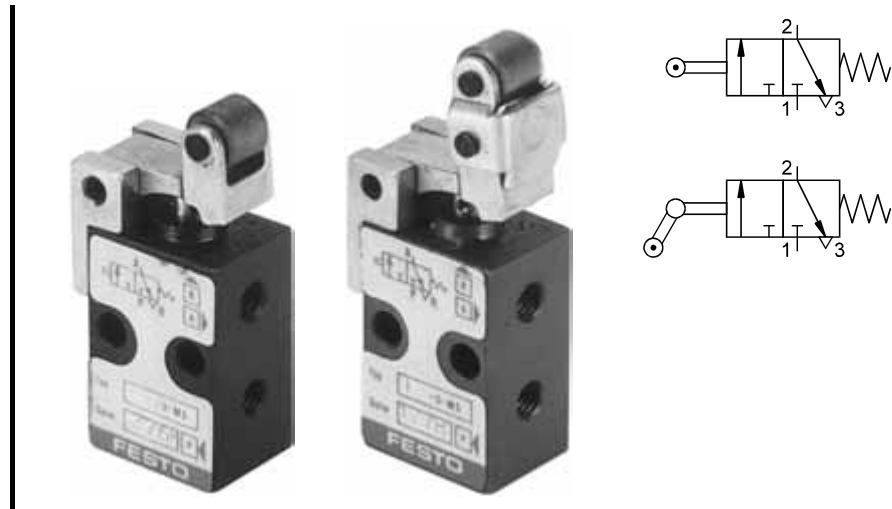
The directional control valve controls the passage of air signals by generating, cancelling or redirecting signals.

The valve is described by:

- Number of ports or openings (ways): 2-way, 3-way, 4-way, etc.
- Number of positions: 2 positions, 3 positions, etc.
- Methods of actuation of the valve: manually actuated, mechanically actuated, pneumatically actuated, electrically actuated.
- Methods of return actuation: Spring return, air return, etc.

As a signalling element the directional control valve is operated for example, by a roller lever to detect the piston rod position of a cylinder.

Fig. 2.3
3/2 way roller lever valve
(without and with idle return)



As a processing element the directional control valve redirects or cancels signals depending on the signal inputs received.

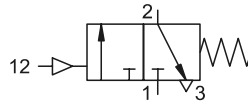


Fig. 2.4
3/2 way air actuated valve:
single pilot valve, with
spring return

As a control element the directional control valve must deliver the required quantity of air to match the power component requirements.

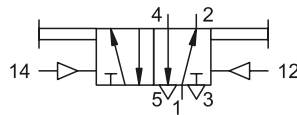
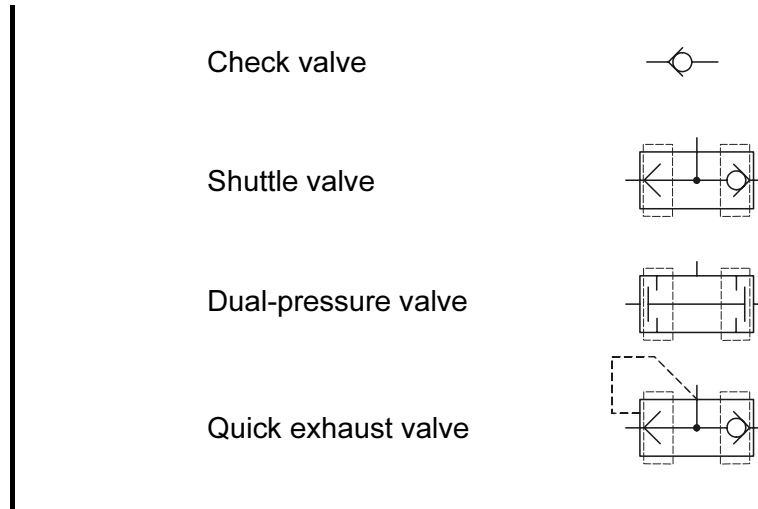


Fig. 2.5
5/2 way valve for cylinder
control: double pilot valve

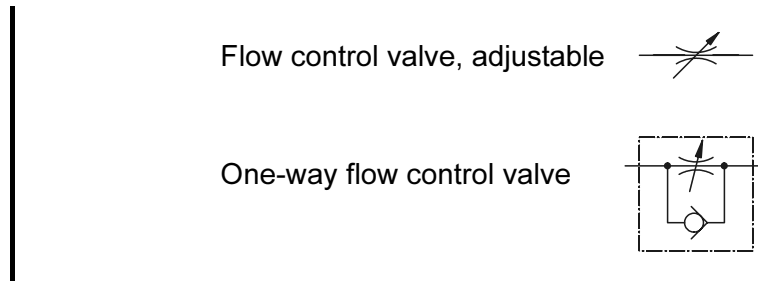
Non-return valves The non-return valve allows a signal to flow through the device in one direction and in the other direction blocks the flow. Amongst others, this principle is applied in shuttle valves or quick exhaust valves. The non-return valve in the form of a basic element of other valve types is shown in a broken outline in the illustration below.

Fig. 2.6
Non-return valve and its derivatives



Flow control valves The flow control valve restricts or throttles the air in a particular direction to reduce the flow rate of the air and hence control the signal flow. Ideally it should be possible to infinitely vary the restrictor from fully open to completely closed. The flow control valve should be fitted as close to the working element as is possible and must be adjusted to match the requirements of the application. If the flow control valve is fitted with a check valve then the function of flow-control is unidirectional with full free flow in one direction.

Fig. 2.7
Flow control valve



Pressure control valves are utilised in pneumatic systems. There are three main groups:

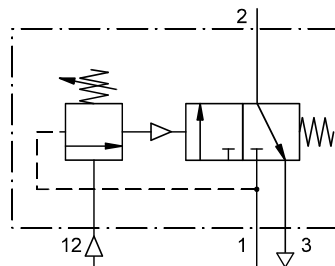
- Pressure limiting valves
- Pressure regulating valves
- Pressure sequence valves

Pressure control valves

The pressure limiting valves are utilised on the up-stream side of the compressor to ensure the receiver pressure is limited, for safety, and that the supply pressure to the system is set to the correct pressure.

The pressure regulating valve keeps the pressure constant irrespective of any pressure fluctuations in the system. The valve regulates the pressure via a built-in diaphragm.

The pressure sequence valve is used if a pressure-dependent signal is required for the advancing of a control system.

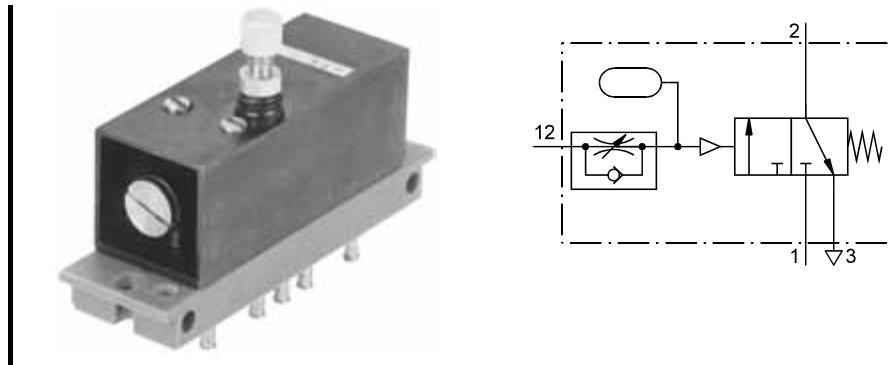


*Fig. 2.8
Pressure sequence valve*

When the applied control signal reaches the set pressure, the 3/2-way valve incorporated at this point is actuated. Conversely, the valve reverses, if the control signal falls below the set pressure.

Combination valves The combined functions of various elements can produce a new function. An example is the time delay valve which is the combination of a one-way flow control valve, a reservoir and a 3/2-way directional control valve.

Fig. 2.9
Time delay valve



Depending on the setting of the throttling screw, a greater or lesser amount of air flows per unit of time into the air reservoir. When the necessary control pressure has built up, the valve switches to through flow. This switching position is maintained for as long as the control signal is applied.

Other combinational valves include the

- Two-hand start unit
- Pulse generator
- Stepper modules
- Memory modules

2.3 Processing elements (processors)

To support the directional control valves at the processing level, there are various elements which condition the control signals for a task. The elements are:

- Dual pressure valve (AND function)
- Shuttle valve (OR function)

A shuttle valve permits the combination of two input signals into an OR function. The OR gate has two inputs and one output. An output signal is generated, if pressure is applied at one of the two inputs.

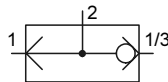


Fig. 2.10
Shuttle valve

The further development of processing elements in pneumatics has brought about the modular systems, which incorporate directional control valve functions and logic elements to perform a combined processing task. This reduces size, cost and complexity of the system.

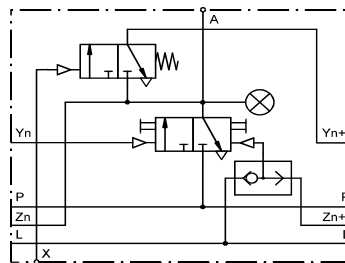


Fig. 2.11
Modular processing unit
(stepper module)

2.4 Power components

The power section consists of control elements and power components or actuators. The actuator group includes various types of linear and rotary actuators of varying size and construction. The actuators are complemented by the control elements, which transfer the required quantity of air to drive the actuator. Normally this valve will be directly connected to the main air supply and fitted close to the actuator to minimise losses due to resistance.

Fig. 2.12
Actuator with control
element



Actuators can be further broken down into groups:

- Linear actuators
 - Single-acting cylinder
 - Double-acting cylinder
- Rotary actuators
 - Air motors
 - Rotary actuators

Fig. 2.13
Actuators, linear and rotary



2.5 Systems

Generally, the actuation of a cylinder is effected via a directional control valve. The choice of such a directional control valve (number of connections, number of switching positions, type of actuation) is dependent on the respective application.

Control circuit for the single-acting cylinder

The piston rod of a single-acting cylinder is to advance when a push button is operated. When the push button is released, the piston is to automatically return to the initial position.

Typical problem

A 3/2-way valve controls the single-acting cylinder. The valve switches from the initial position into the flow position, when the push-button actuator is pressed. The circuit includes the following primary features:

Solution

- Single-acting cylinder, spring return
- 3/2-way directional control valve: push button for operation and spring for return force
- Supply air source connected to the 3/2-way valve
- Air connection between valve and cylinder

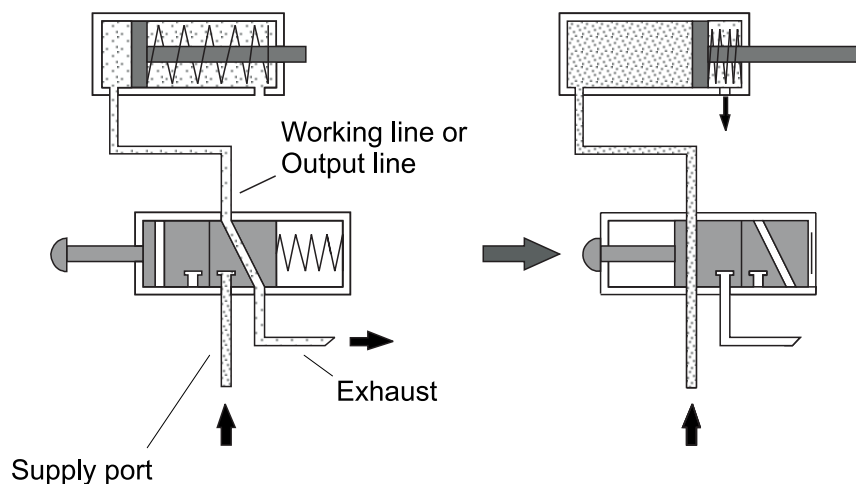


Fig. 2.14
Control of a single-acting
cylinder

The 3/2-way control valve has 3 ports. The supply port, the exhaust port and the outlet port. The relationship between these ports is determined by the passages through the valve. The possible switching positions are shown in the above illustration.

Initial position:

The initial position (left-hand circuit) is defined as the 'rest' position of the system. All connections are made and there is no manual intervention by the operator. The air supply is shut off and the cylinder piston rod retracted (by spring return). In this valve position, the piston chamber of the cylinder is exhausted.

Push-button operation:

Pressing the push button moves the 3/2-way valve against the valve return spring. The diagram (right-hand circuit) shows the valve in the actuated or working position. The air supply is now connected via the valve passage to the single-acting cylinder port. The build-up of pressure causes the piston rod of the cylinder to extend against the force of the cylinder return spring. As soon as the piston rod arrives at the forward end position, the air pressure in the cylinder body reaches a maximum level.

Push-button release:

As soon as the push button is released, the valve return spring returns the valve to its initial position and the cylinder piston rod retracts.

Note The advancing speed and the retracting speed are different because:

- The piston reset spring creates a counteracting force when advancing.
- When retracting, the displaced air escapes via the valve. A flow resistance must therefore be overcome.

Normally, single-acting cylinders are designed in such a way that the advancing speed is greater than the retracting speed.

Control circuit for the double-acting cylinder

The piston rod of a double-acting cylinder is to advance when a push button is operated and to return to the initial position when the push button is released. The double-acting cylinder can carry out work in both directions of motion, due to the full air supply pressure being available for extension and retraction.

Typical problem

A 5/2-way directional control valve controls the double-acting cylinder. A signal is generated or reset on the valve, if a push-button actuator is pressed or released. The circuit includes:

Solution

- Double-acting cylinder
- 5/2-way directional control valve: push button for operation and spring for return force
- Supply air source connected to the 5/2-way valve
- Air connections between valve and cylinder

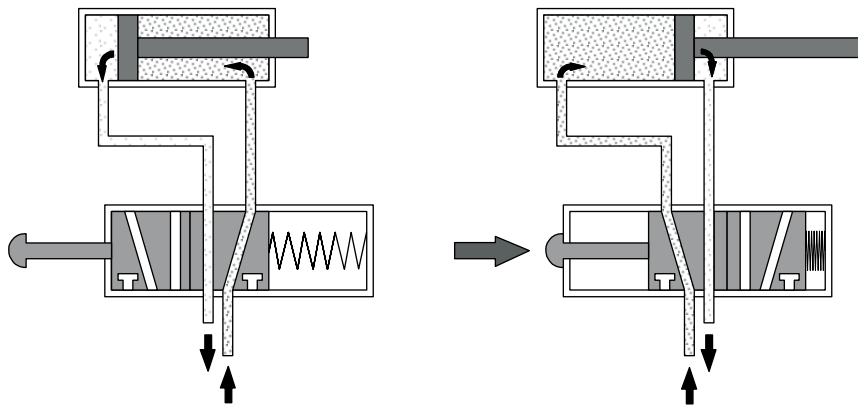


Fig. 2.15
Control of a double-acting cylinder

Initial position:

In the initial position (left-hand circuit) all the connections are made and there is no manual intervention by the operator. In this unactuated position, air is applied at the cylinder piston rod side, while the pressure on the piston side of the cylinder is exhausted.

Push button operation:

Pressing the push button operates the 5/2-way valve against the valve return spring. The diagram (right-hand circuit) shows the valve in the operated or actuated position. In this position, the supply pressure is connected to the piston side of the cylinder, while the piston rod side is exhausted. The pressure on the piston side advances the piston rod. Once full extension is reached, the air pressure on the piston side reaches a maximum.

Push button release:

Once the push button is released, the valve return spring pushes the valve into the initial position. The supply pressure is now connected to the piston rod side, while the piston side is exhausted via the exhaust port of the valve. The piston rod retracts.

Note The advancing speed and the retracting speed are different due to the fact that the cylinder volume on the piston rod side is smaller than on the piston side. Thus, the amount of supply air required during retraction is smaller than during extension, and the return stroke is faster.

Chapter 3

Symbols and standards in pneumatics

3.1 Symbols and descriptions of components

The development of pneumatic systems is assisted by a uniform approach to the representation of the elements and the circuits. The symbols used for the individual elements must display the following characteristics:

- Actuation and return actuation methods
- Number of connections (all labelled for identification)
- Number of switching positions
- General operating principle
- Simplified representation of the flow path

The technical construction of the component is not taken into account in the abstract symbol form.

The symbols used in pneumatics are detailed in the standard DIN ISO 1219, "Circuit symbols for fluidic equipment and systems".

The relevant standards for the construction, testing and design of pneumatic control systems are listed in the reference section of this book.

The symbols for the energy supply system can be represented as individual elements or as combined elements. If a standard and common air supply is used for all components, then the simplified symbols can be used.

Air supply and generation

Supply

– Compressor with fixed capacity



– Air reservoir with T junction

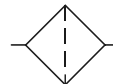


– Pressure source

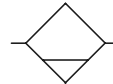


Service equipment

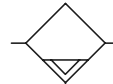
– Filter Separation and filtration of particles



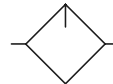
– Water separator, Manually operated



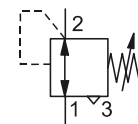
– Water separator, automatic



– Lubricator Metered quantities of oil passed to the air stream

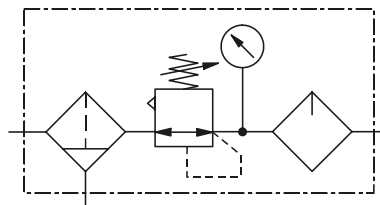


– Pressure regulator Relieving type - vent hole for excess upstream pressure - adjustable

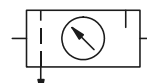


Combined symbols

– Air service unit Filter, Regulator, Gauge, Lubricator



Simplified air service unit



Simplified air service unit without lubricator

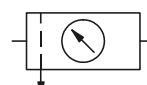


Fig. 3.1 Symbols used in energy conversion and preparation

Fig. 3.2
Directional control valves:
symbol development

Valve switching positions are represented as squares



The number of squares shows how many switching positions the valve has



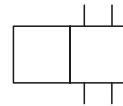
Lines indicate flow paths, arrows shows the direction of flow



Shut off positions are identified in the boxes by lines drawn at right angles

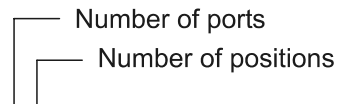


The connections (inlet and outlet ports) are shown by lines on the outside of the box

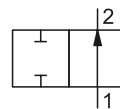


The directional control valve is represented by the number of controlled connections, the number of positions and the flow path. In order to avoid faulty connections, all the inputs and outputs of a valve are identified.

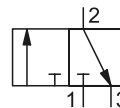
Directional control valves



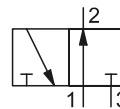
2/2 – Way directional control valve, normally open



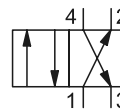
3/2 – Way directional control valve, normally closed



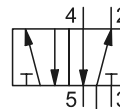
3/2 – Way directional control valve, normally open



4/2 – Way directional control valve
Flow from 1 → 2 and from 4 → 3



5/2 – Way directional control valve
Flow from 1 → 2 and von 4 → 5



5/3 – Way directional control valve
Mid position closed

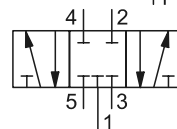


Fig. 3.3
Directional control valves:
ports and positions (ways)

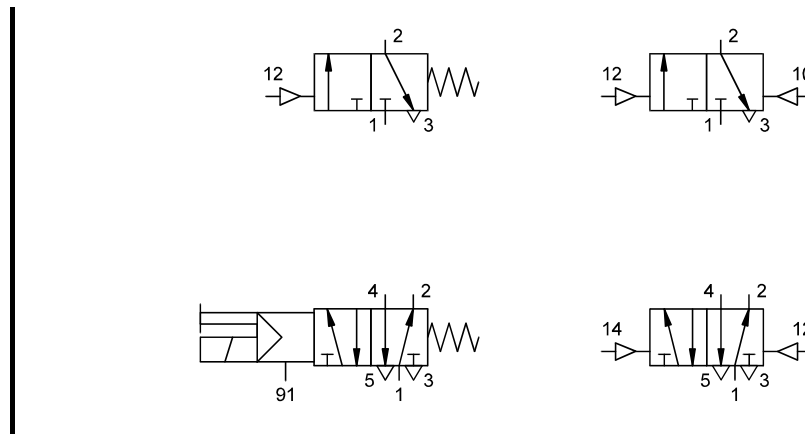
A numbering system is used to designate directional control valves and is in accordance with DIN ISO 5599-3. Prior to this a lettering system was utilised and both systems of designation are presented here:

<i>Working lines</i>	ISO 5599-3	Lettering System	Port or Connection
	1	P	Pressure port
	2, 4	A, B	Working lines
	3, 5	R, S	Exhaust ports

<i>Pilot lines</i>	ISO 5599-3	Lettering System	Port or Connection
	10	Z	Applied signal inhibits flow from port 1 to port 2
	12	Y, Z	Applied signal connects port 1 to port 2
	14	Z	Applied signal connects port 1 to port 4
	81, 91	Pz	Auxiliary pilot air

Note In this book, all connections are identified by means of numbers.

Fig. 3.4
Examples of designations



The methods of actuation of pneumatic directional control valves is dependent upon the requirements of the task. The types of actuation vary, e.g.

- manually actuated
- mechanically actuated
- pneumatically actuated
- electrical and
- combined actuation.

Methods of actuation

The symbols for the methods of actuation are detailed in DIN ISO 1219.

When applied to a directional control valve, consideration must be given to the method of initial actuation of the valve and also the method of return actuation. Normally these are two separate methods. They are both shown on the symbol either side of the position boxes. There may also be additional methods of actuation such as manual overrides, which are separately indicated.

Fig. 3.5
Methods of actuation

Manual	General	
	Pushbutton	
	Lever Operated	
	Detend lever operated	
	Foot pedal	
Mechanical	Plunger	
	Roller operated	
	Idle return, roller	
	Spring return	
	Spring centred	
Pneumatic	Direct pneumatic actuation	
	Indirect pneumatic actuation (piloted)	
Electrical	Single solenoid operation	
	Double solenoid operation	
Combined	Double solenoid and pilot operation with manual override	

The non-return valve (check valve) is the basis for the development of many combined components. There are two main configurations for non-return valves, with and without the spring return. In order to release flow, the pressure force on the spring return design must be greater than the spring force.

Non-return valves and derivatives

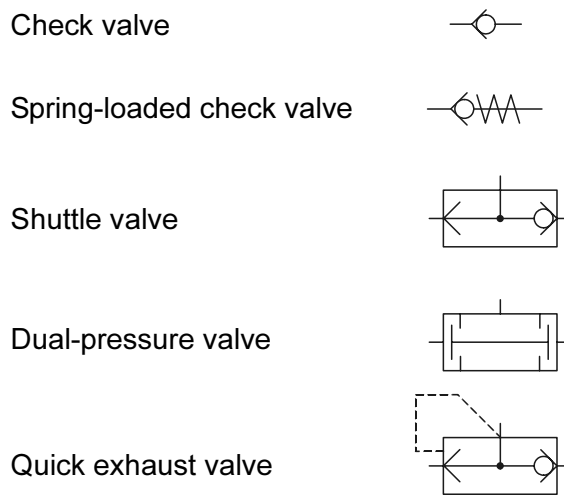


Fig. 3.6
Non-return valves and derivatives

Most flow control valves are adjustable and permit flow control in both directions. The arrow shows that the component is adjustable but does not refer to the direction of flow; it is diagrammatic only. In the case of the one-way flow control valve, a non-return valve is switched in parallel with the flow control valve. Flow control is effected in one direction only.

Flow control valves

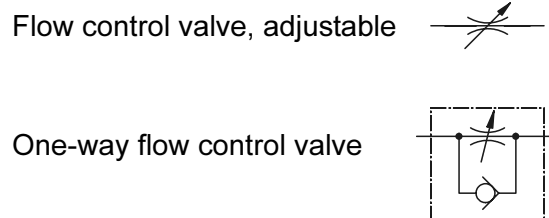


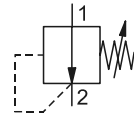
Fig 3.7
Flow control valves

Pressure valves The function of pressure valves, is to influence the pressure in an overall pneumatic system or in a part of the system. Pressure regulating valves are generally adjustable against spring compression. The symbols are distinguished according to the following types:

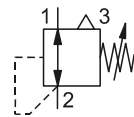
- Pressure regulating valve without relief port
- Pressure regulating valve with relief port
- Pressure sequence valves

Fig. 3.8
Pressure valves

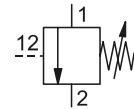
Adjustable pressure regulating valve, non - relieving type



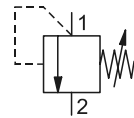
Adjustable pressure regulating valve,relieving type



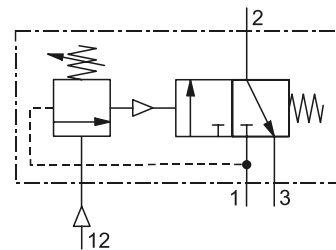
Sequence valve external source



Sequence valve in - line



Sequence valve combination



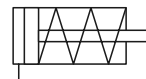
The symbols represent the pressure valve as a single position valve with a flow path that is either open or closed initially. In the case of the pressure regulator the flow is always open, whereas the pressure sequence valve is closed until the pressure reaches the limit value as set on the adjustable spring.

The linear actuators or cylinders are described by their type of construction and method of operation.

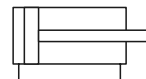
Linear actuators

The single-acting cylinder, the double-acting cylinder and the rodless cylinder form the basis for design variations. The use of cushioning to reduce loads on the end caps and mountings during deceleration of the piston is important for long-life and smooth operation. The cushioning piston is shown on the exhaust air side of the piston. The arrow indicates adjustable cushioning and not the direction of cushioned motion.

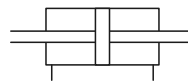
Single-acting cylinder



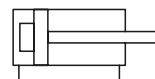
Double-acting cylinder



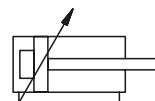
Double-acting cylinder with double ended piston rod



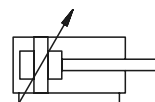
Double-acting cylinder with non-adjustable cushioning in one direction



Double-acting cylinder with single adjustable cushioning



Double-acting cylinder with adjustable cushioning at both ends



Linear drive with magnetic coupling

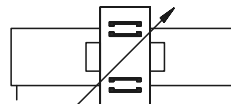


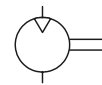
Fig. 3.9
Linear actuators

Rotary actuators Rotary actuators are divided into continuous motion and limited angle of rotation.

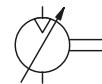
The air motor is normally a high speed device with either fixed or adjustable speed control. Units with limited angle of rotation are fixed or adjustable in angular displacement. The rotary actuator may be cushioned depending upon the load and speed of operation.

*Fig. 3.10
Rotary motion*

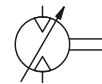
Air motor, rotation in one direction
fixed capacity



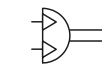
Air motor, rotation in one direction
variable capacity



Air motor, rotation in both directions
variable capacity



Rotary actuator



Auxiliary symbols There are a number of important symbols for accessories which are utilised in conjunction with pneumatics.

*Fig. 3.11
Auxiliary symbols*

Exhaust port without fixture for connection



Exhaust port with threaded connection



Silencer



Line connection



Crossing lines



Pressure gauge



Visual indicator



3.2 Safety requirements for pneumatic systems

To date, no standards exist with regard to the safety of pneumatic systems. Therefore for all factors affecting safety, reference must be made to existing general guidelines and regulations from a number of different engineering fields.

An extract from one of the VDI (German association of engineers) guidelines number 3229 "Technical Design Guidelines for Machine Tools and other Production Equipment" on the subject of safety states:

P 4.5 Safety

P 4.5.1 Controller malfunction

In the event of controller malfunction or disconnection of the system, operating staff must not be endangered.

P 4.5.2 EMERGENCY-STOP SWITCH

Pneumatic systems using several force cylinders must be equipped with an emergency switch. Based on the design and operating characteristics of a system, the decision must be made as to whether the EMERGENCY-STOP function is

- to put the system into the zero pressure status
- to reset all force cylinders into the initial position, or
- to inhibit all cylinders in their current position.

These three options can also be combined.

Consideration should be given to the following guidelines when operating pneumatic cylinders under clamping conditions:

The control system for the pneumatic clamping devices should be designed or arranged in such a way as to avoid accidental operation. This can be achieved by means of:

- Manually-operated switching devices with protective covers, or
- control interlocks.

Precautions must be taken to prevent hand injuries caused by the clamping device. This can be achieved by checking the clamping conditions by means of:

- Clamping cylinder positioned outside the feed area,
- Use of safety clamping cylinders, which do not apply the full clamping force until they have reached the workpiece or
- use of two-hand control.

*Safety requirements
for pneumatic
clamping devices*

Machines with pneumatic clamping devices must be equipped in such a way that the drive of the working or feed spindle cannot be switched on until the clamping action is confirmed. This can be achieved with:

- Pressure transducers, or
- Pressure sequence valves.

A failure of the air supply must not cause the clamping device to open during the machining of a clamped workpiece. This can be achieved by means of:

- Mechanical clamping devices
- Self-locking clamping elements
- Reservoirs

Environmental pollution

Two forms of environmental pollution may occur in pneumatic systems :

- Noise: caused by the escape of compressed air
- Oil mist: caused by lubricants which have been introduced at the compressor or via a service unit and which are discharged into the atmosphere during the exhaust cycles.

Exhaust noise

Measures must be taken against excessive exhaust noise. This can be achieved by means of:

- Exhaust silencers

Silencers are used to reduce the noise at the exhaust ports of valves. They operate on the principle of exhaust air flow control by creating a greater or lesser flow resistance. Normal silencers have only limited influence on the speed of the piston rod.

In the case of throttle silencers, however, the flow resistance is adjustable. These silencers are used to control the speed of the cylinder piston rod.

Another method of noise reduction is to fit manifolds with connections to the exhaust ports of the power valves and thus to discharge the air via a large common silencer.

The exhaust air of mechanically driven tools or mechanically controlled machines contains atomised oil which often remains in a room for some considerable time in the form of a vapour, which can be breathed in.

Oil mist

Pollution of the environment is particularly acute in cases where a large number of air motors or large-diameter cylinders are fitted in an installation. In this case, the use of filter silencers is recommended, whereby the major part of the oil mist is filtered and does not reach the ambient atmosphere.

When maintaining or working with pneumatic systems, care must be taken in the removal and the reconnection of air lines. The energy stored in the tube or pipe will be expelled in a very short time with enough force to cause severe whiplash of the line which can endanger personnel.

Operational safety

An additional danger is in the disturbance of particles due to the air blast which causes eye hazards.

Chapter 4

Methods for the development of pneumatic systems

4.1 Development of pneumatic systems

The solution to a control problem is worked out according to a system with documentation playing an important role in communicating the final result. The circuit diagram should be drawn using standard symbols and labelling. Comprehensive documentation is required including most of the following:

- Function diagram
- Circuit diagram
- Description of the operation of the system
- Technical data on the components

Supplementary documentation comprising

- Parts list of all components in the system
- Maintenance and fault-finding information
- Spare parts list

There are two primary methods for constructing circuit diagrams:

- The so-called intuitive methods
- The methodical design of a circuit diagram in accordance with prescribed rules and instructions

Whereas much experience and intuition is required in the first case and above all, a great deal of time where complicated circuits are concerned; designing circuit diagrams of the second category requires methodical working and a certain amount of basic theoretical knowledge.

Regardless of which method is used in developing the circuit diagram, the aim is to end up with a properly functioning and reliably operating control. Whereas previously emphasis was placed on the least expensive hardware solution, more importance is now attached to operational reliability and ease of maintenance by a clear layout and documentation.

This inevitably leads to increased usage of methodical design processes. In such cases, the control is always constructed in accordance with the given procedure and is less dependent upon personal influences from the designer. In many cases, however, more components will be required for the methodical solution than in a circuit devised by the intuitive method.

This additional material requirement will usually be rapidly compensated for by time-saving at the project stage and also later in terms of maintenance. Generally, it must be ensured that the time spent in project design and particularly in simplifying the circuit, is in reasonable proportion to the overall effort.

Regardless of which method and which technique is used to produce a circuit diagram, the basic requirements are sound fundamental knowledge of the devices concerned and knowledge of the switching characteristics of the components used.

4.2 Control chain

The control chain is a categorised representation of a control system, from which amongst other things, the signal direction can be determined.

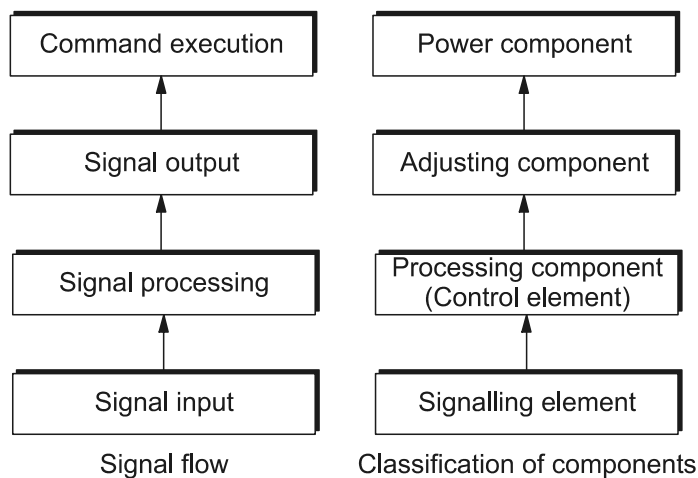


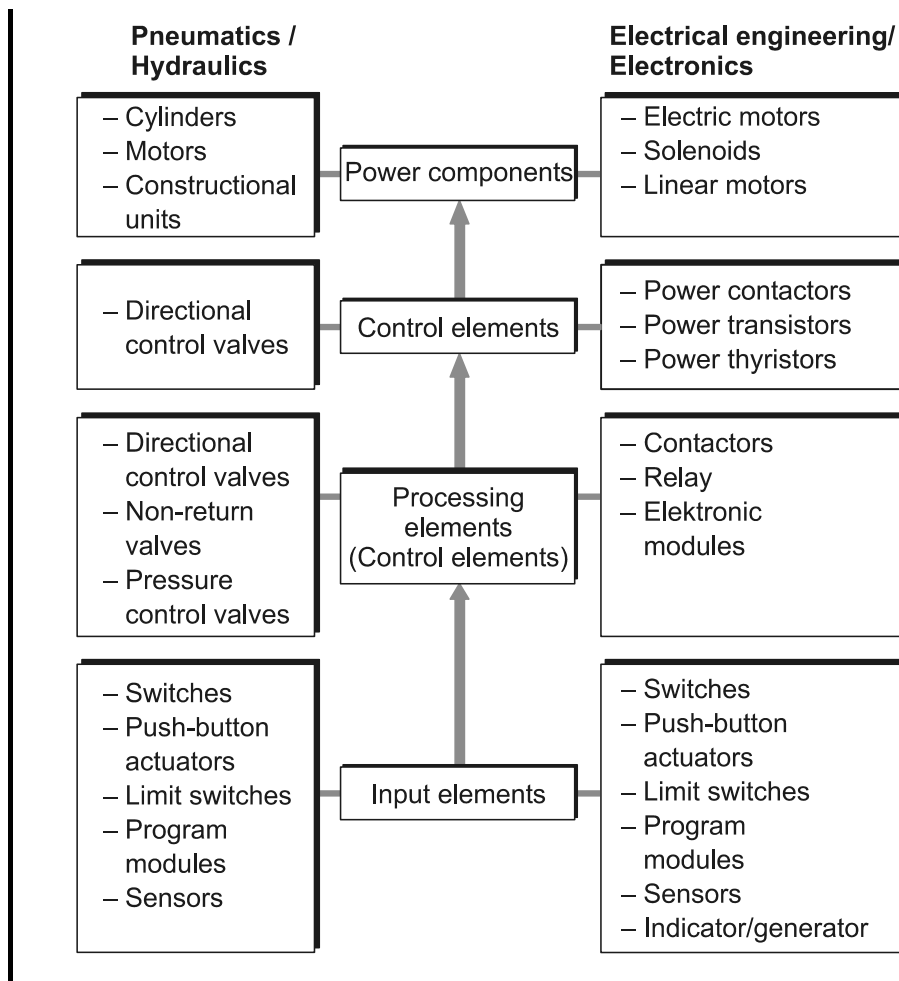
Fig. 4.1
Control chain flowchart

With the circuit design, the system breakdown produces a rough separation of signal input, signal processing, signal output and command execution. In practice, this separation can be easily seen. In the case of extensive installations, the control section is generally in a separate area to that of the power section.

The signal flow diagram indicates the path of a signal from signal input through to command execution.

The following diagram illustrates a few examples for the allocation of devices to signal flow:

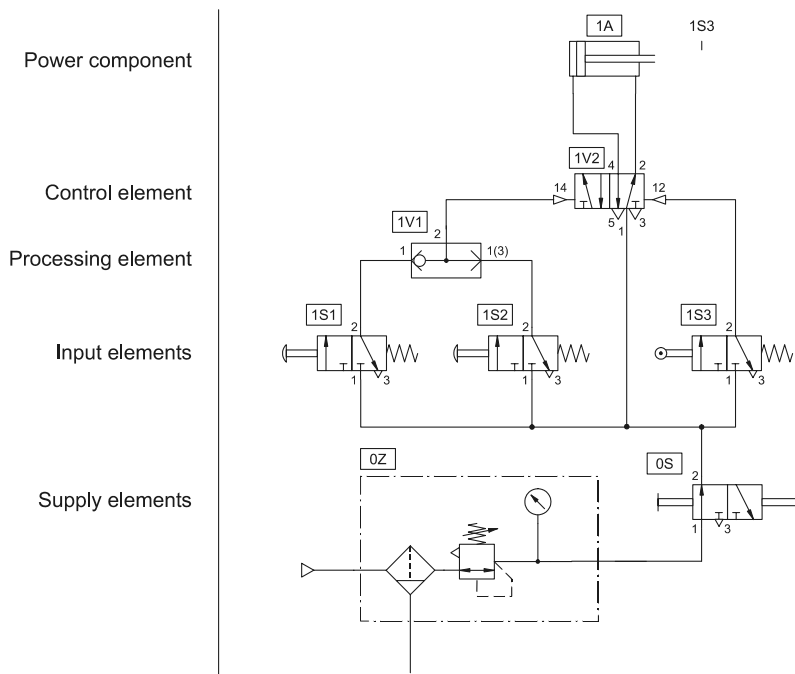
Fig. 4.2
Allocation of devices
to signal flow



The illustration below clearly shows the structure of the control chain.

Example

- The input elements are the manually actuated valves 1S1, 1S2 (push-button valves) and the mechanically actuated valve 1S3 (roller lever valve).
- The processing element (processor) is the shuttle valve 1V1,
- The control element is the directional control valve 1V2.
- The power component is the cylinder 1A.

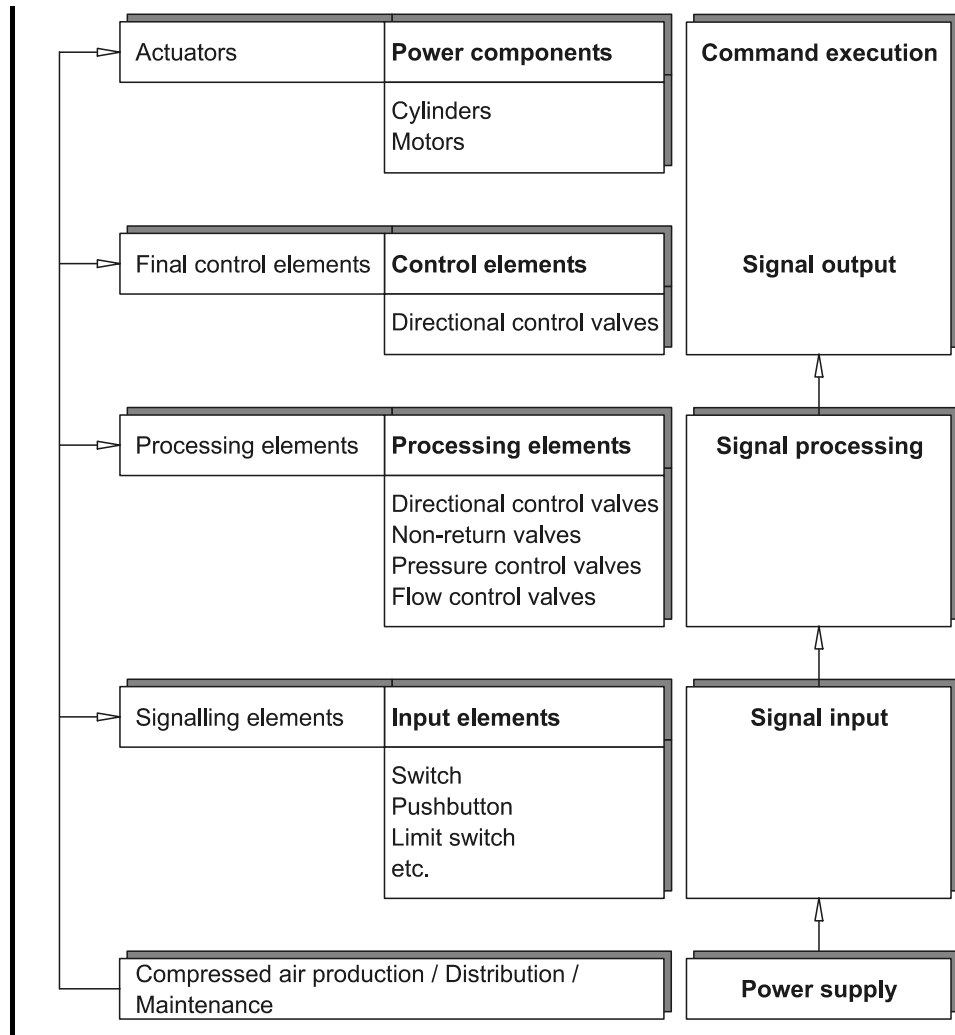


*Fig. 4.3
Circuit diagram*

4.3 Design of the circuit diagram

The structure of the circuit diagram should correspond to the control chain, whereby the signal flow is represented from the bottom to the top. Simplified or detailed symbols may be used for the representation of the circuit diagram. In the case of larger circuit diagrams, the power supply parts (service unit, shut-off valve, various distributor connections) are shown on a separate page of the drawing for the purpose of simplification.

Fig. 4.4
Control chain



If a circuit diagram is represented in this schematic form, this is known as a circuit diagram. Irrespective of the actual tubing connections of the installation, the circuit diagram structure is always the same.

4.4 Circuit layout

The piston rod of a double-acting pneumatic cylinder advances if either a manual push button or a foot pedal is operated.

Typical problem

The cylinder returns to its starting position slowed down after fully extending. The piston rod will return provided the manual actuators have been released.

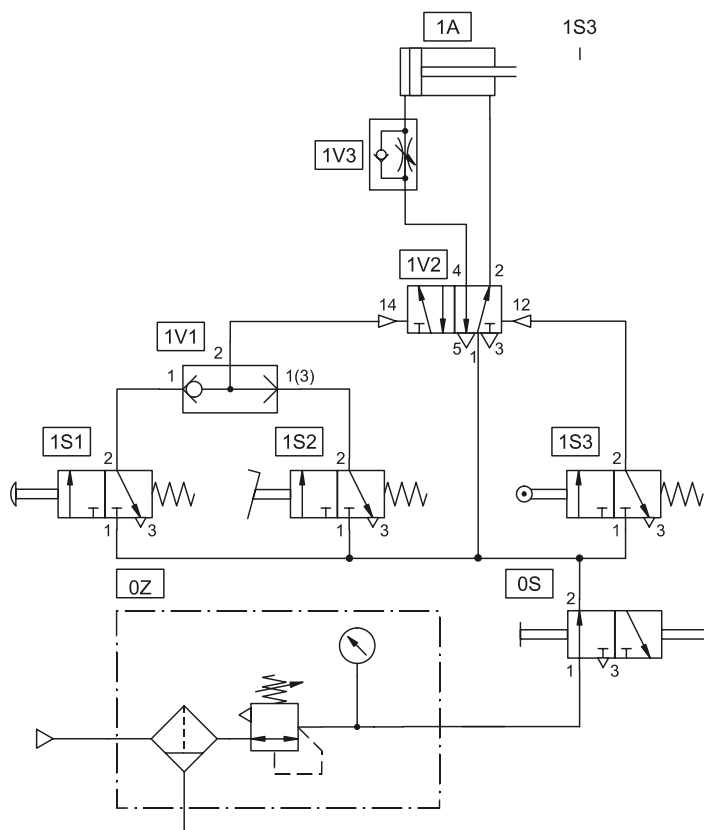


Fig. 4.5
Circuit diagram

The roller lever valve 1S3 is positioned as a limit switch in the forward end position of the cylinder. The circuit diagram shows this element situated at the signal input level and does not directly reflect the orientation of the valve. The mark on the circuit at the extended cylinder position indicates the physical position of the limit switch 1S3 for circuit operation.

Solution

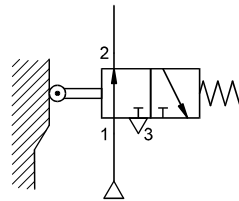
If the control is complex and contains several working elements, the control should be broken down into separate control chains, whereby a chain is formed for each cylinder.

Wherever possible, these chains should be drawn next to each other in the same order as the operating sequence.

4.5 Designation of individual elements

Signal elements should be represented in the normal position in the circuit diagram. If valves are actuated in the initial position as a start precondition, this must be indicated by the representation of a trip cam. In this case, the actuated switching position must be connected.

Fig. 4.6
Actuated initial position



Designation by numbers

With this type of designation, elements are divided into groups. Group 0 contains the elements for the power supply, groups 1,2,... designate the individual control chains. One group number is generally allocated for each cylinder.

T 4.1 Designation by numbers

0Z1, 0Z2 etc.	Energy supply unit
1A, 2A, etc.	Power components
1V1, 1V2, etc.	Control elements
1S1, 1S2, etc.	Input elements (manually and mechanically actuated valves)

Designation by letters

This type of designation is used primarily for a systematic development of circuit diagrams. Here, limit switches are allocated to the cylinder, which acknowledges them.

T 4.2 Designation by letters

1A, 2A, etc.	Power components
1S1, 2S1, etc.	Limit switches, activated in the retracted end position of cylinders 1A, 2A
1S2, 2S2, etc.	Limit switches, activated in the forward end position of cylinders 1A, 2A

- Physical arrangement of the elements is ignored.
- Draw the cylinders and directional control valves horizontally wherever possible.
- The energy flow within the circuit moves from the bottom to the top.
- Energy source can be shown in simplified form.
- Show elements in the initial position of the control. Identify actuated elements by a cam.
- Draw pipelines straight without cross-over wherever possible.

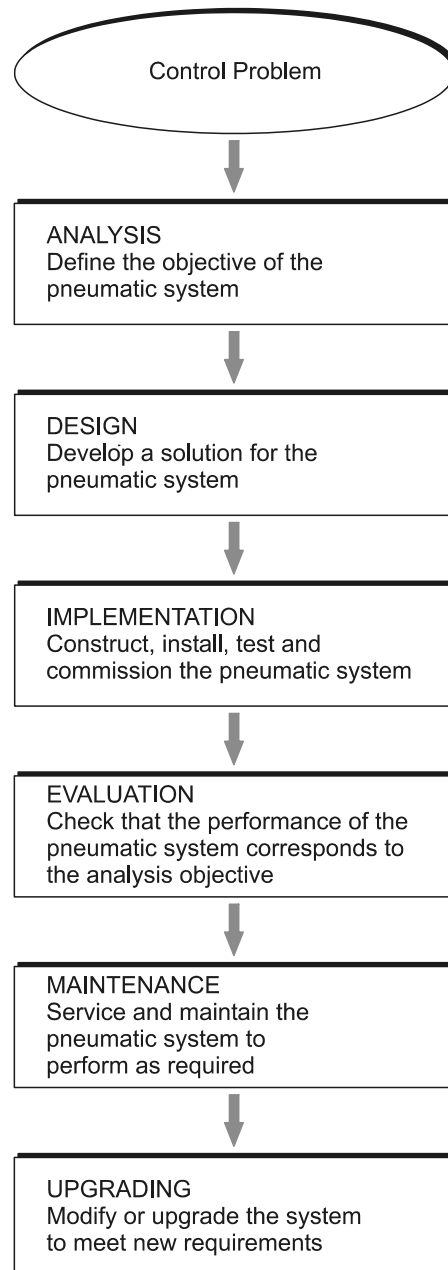
Summary

4.6 The life cycle of a pneumatic system

The development of solutions for pneumatic control systems is dependent upon methodical planning.

The various phases involved in the life cycle of such systems from the initial problem to upgrading the system are shown here.

Fig. 4.7
Life cycle of a
pneumatic system



The first step is the definition of objectives for the project with a clear definition of the problem(s). Design or development of the solution is not involved at the analysis stage. A flow chart of the total project plan can be developed to define the step-orientated processes.

*Analysis of a
pneumatic control
problem*

There are two stages of design development.

Design

The first is the overall system design where general systems hardware and control medium decisions are made. At this stage alternative solutions may be addressed for consideration.

The next stage of the design process involves the following :

- Development of hardware systems
- Documentation development
- Definition of further requirements
- Time schedules for project implementation
- Product lists and specifications
- Costing data

Prior to the system installation, the system's functions must be fully tested. Another function test must be carried out on the final completion of the installation. Finally to ensure the sequence operates under all conditions, the machine must be cycled under all of the expected and specified operating conditions, e.g. manual cycle, auto cycle, emergency conditions, blockages etc.

Implementation

Upon completion of the commissioning process the final result is evaluated and compared to the original specification and if necessary improvements are made.

Evaluation

Maintenance Maintenance is essential to minimise the system downtimes.

Regular and careful maintenance helps to increase the reliability of a system and to reduce the operating costs.

After a certain number of cycles, some components may show signs of early deterioration which might be due to

- incorrect product selection or
- a change in operating conditions.

Basic preventive maintenance carried out at regular intervals helps to diagnose failures of this kind and thus avoids system downtimes.

System upgrade Experience gained from the operation, maintenance and repairing of a system, will ensure greater reliability in the event of any system improvements.

Chapter 5

Development of single actuator circuits

5.1 Direct control of a pneumatic cylinder

The simplest level of control for the single or double-acting cylinder involves direct control signals. With this, the cylinder is actuated directly via a manually or mechanically actuated valve, without any intermediate switching of additional directional control valves. If the port sizes and the flow values of the valve are too large, the operating forces required may be too great for direct manual operation.

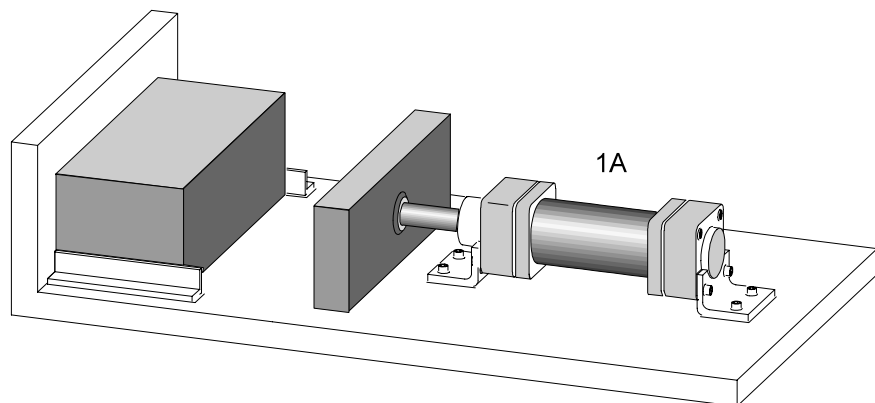
Reference values for limits of direct cylinder control:

- Cylinder with piston diameter smaller than 40 mm
- Valves with connection sizes smaller than 1/4"

5.2 Example 1: Direct control of a single-acting cylinder

The Problem A single-acting cylinder of 25 mm diameter is to clamp a component when a push button is pressed. As long as the push button is activated, the cylinder is to remain in the clamped position. If the push button is released, the clamp is to retract.

Fig. 5.1
Positional sketch



The control valve used for the single-acting cylinder is the 3/2-way valve. In this case, since the cylinder is of small capacity, the operation can be directly controlled by a push button 3/2-way directional control valve with spring return.

Solution

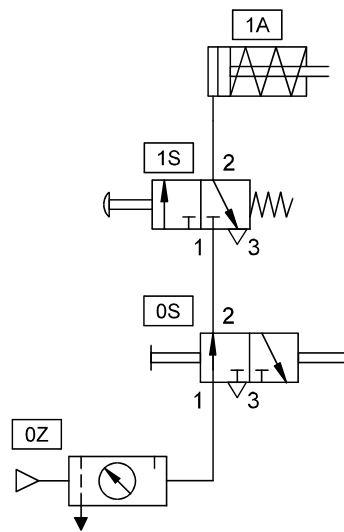


Fig. 5.2
Circuit diagram

On operating the push button the air passes through the valve from port 1 to 2 via the valve 1S into the piston chamber of the cylinder 1A. The pressure builds up and advances the piston rod against the force of the cylinder return spring. On release of the button, the valve spring returns the 3/2-way valve to its initial position and the cylinder retracts. The air returns from the cylinder via the exhaust port 3. Components which are the only one of their type are designated without 2 supplementary number. Since the cylinder is the only working element in the circuit, it is designated 1A.

In this and the following circuit diagrams, the service unit (0Z) and the start-up valve (0S) have also been drawn in.

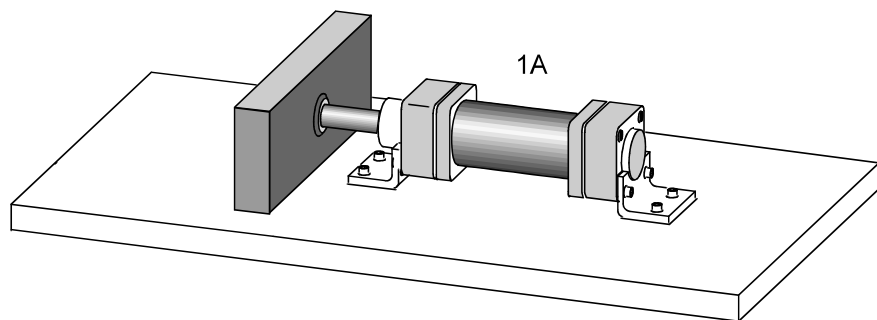
Note

5.3 Exercise 1: Direct control of a double-acting cylinder

The Problem A double-acting cylinder is to extend when a push button is operated. Upon release of the push button the cylinder is to retract. The cylinder is of small bore (25 mm diameter) requiring a small flow rate to operate at the correct speed.

Exercise Draw the circuit diagram for the problem.
Designate the valves and indicate the numbering system for the connections (ports).

Fig. 5.3
Positional sketch



What happens to the cylinder, if the push button is pressed for a very short period, and is then immediately released? *Question*

Describe the operation of the circuit.

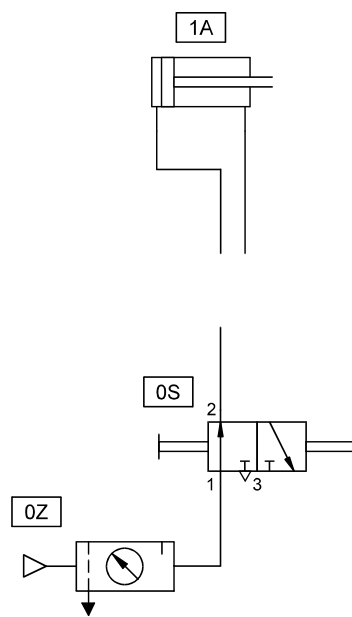


Fig. 5.4
Circuit diagram

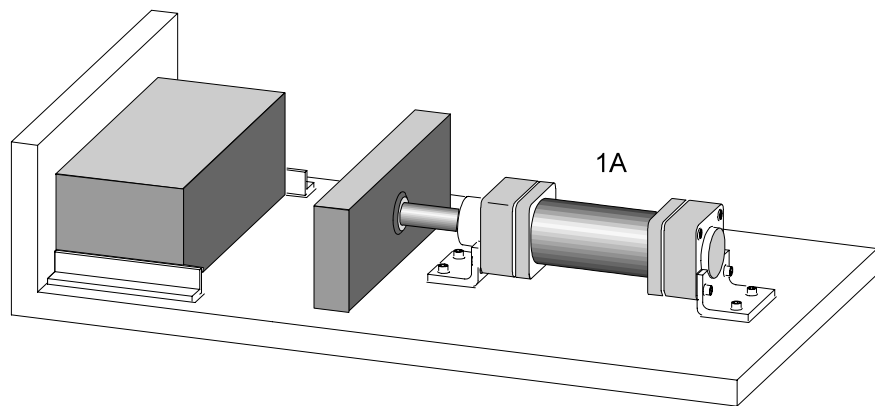
5.4 Indirect control of a pneumatic cylinder

Cylinders with a large piston diameter have a high air requirement. A control element with high nominal flow rate must be used to actuate these. If the force should prove too high for a manual actuation of the valve, then an indirect actuation should be constructed, whereby a signal is generated via a second smaller valve, which will provide the force necessary to switch the control element.

5.5 Example 2: Indirect control of a single-acting cylinder

The Problem A single-acting cylinder with a large piston diameter is to clamp a work-piece following actuation of a push button. The cylinder is to retract once the push button is released.

Fig. 5.5
Positional sketch



In the initial position, the single-acting cylinder 1A is retracted. A spring-return 3/2-way pneumatic valve is used to actuate the cylinder. Connection 1 of the valve 1V is closed, connection 2 is exhausted to atmosphere via connection 3.

Solution

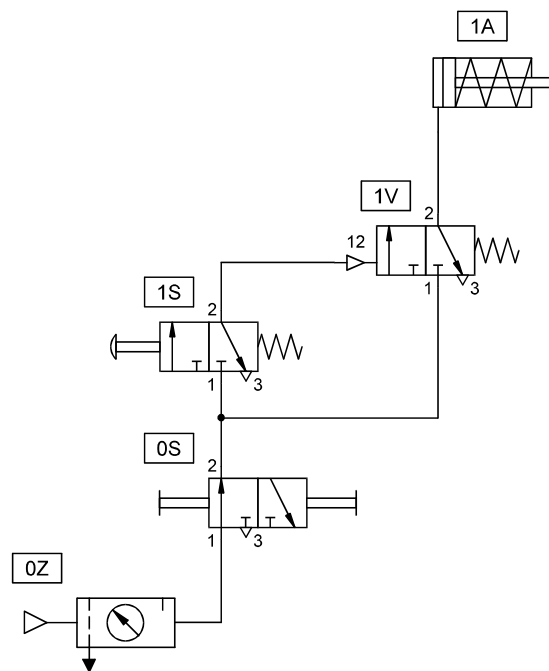


Fig. 5.6
Circuit diagram

The valve 1S is actuated when the push button is activated and pressure is applied to the control port 12 of the control valve 1V. The control valve 1V is actuated against spring force and is thus switched to flow. The pressure building up at the cylinder piston causes the cylinder piston rod of the single-acting cylinder to extend. The signal at the control port 12 remains as long as the push button is operated. Once the piston rod has reached end position, it returns only after the push button has been released.

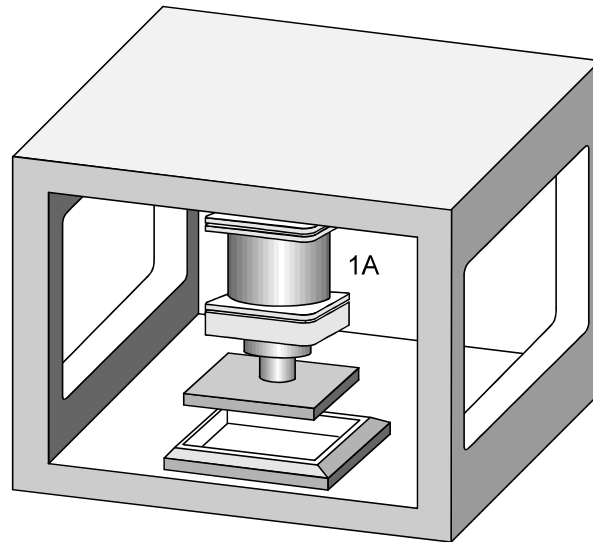
When the push button is released, the valve 1S returns to its initial position. Control port 12 of the control valve 1V exhausts to atmosphere and the signal is reset. The control valve also returns to initial position. The return spring causes the cylinder to retract. The air from the cylinder chamber is exhausted to atmosphere via the control valve.

5.6 Exercise 2: Indirect control of a double-acting cylinder

The Problem A double-acting cylinder is to advance when a push button is operated. Upon release of the push button the cylinder is to retract. The cylinder is 250 mm diameter and consumes a large volume of air.

Exercise Draw the circuit diagram for the problem.
Designate the valves and indicate the numbering system for the connections.

Fig. 5.7
Positional sketch



What happens to the cylinder, if the push button is pressed for a very short period and is then immediately released? *Question*

Describe the operation of the circuit.

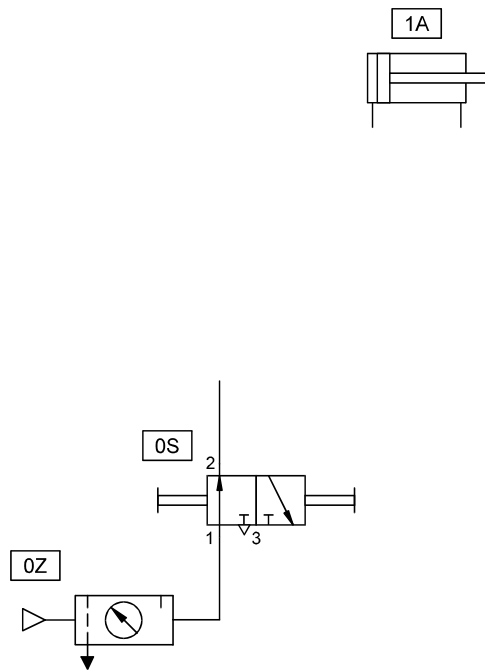


Fig. 5.8
Circuit diagram

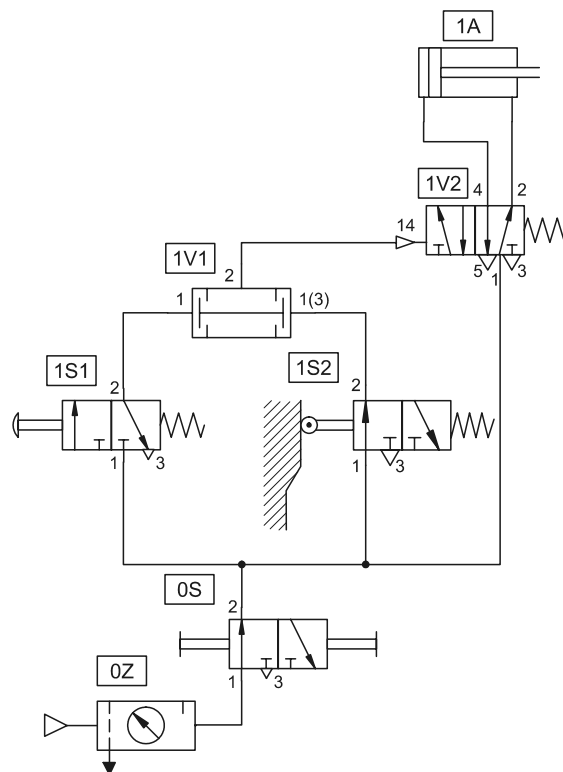
5.7 Logic functions: AND, OR

Describe the function using a circuit diagram. The pneumatic shuttle valve and the dual pressure valve have logic functions. Both have two inputs and one output each. The shuttle valve has the characteristic of an OR function, whereby at least either of two inputs 1 or 1(3) are required to generate an output at port 2 of the valve. In the case of the dual pressure valve, the characteristic is that of the AND function, whereby both inputs 1 and 1(3) are required to initiate an output 2.

5.8 Example 3: The logic AND function

The Problem The piston rod of a double-acting cylinder is to advance when the 3/2-way roller lever valve 1S2 is actuated and the push button of the 3/2-way valve 1S1 is actuated. If either of these are released, then the cylinder is to return to the initial position.

Fig. 5.9
Circuit diagram



The inputs 1 and 1(3) of the dual-pressure valve 1V1 are connected to the working ports 2 of the valves 1S1 and 1S2. The 3/2-way roller lever valve 1S2 is actuated by the insertion of a workpiece and then creates a signal at one input of the dual-pressure valve. Since only one input is actuated, the AND condition has not been fulfilled and the output of the dual-pressure valve remains closed.

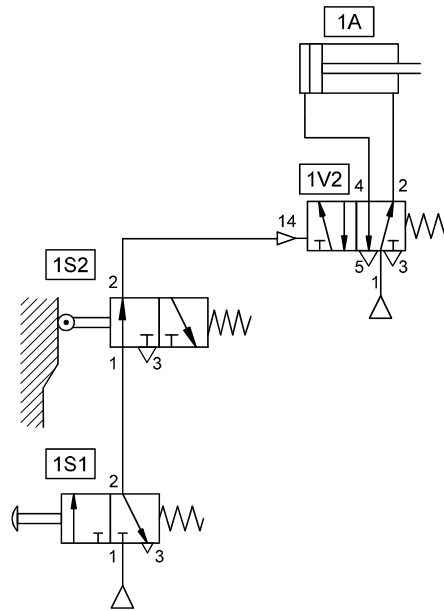
Solution

If the push button of the 3/2-way valve 1S1 is now also actuated, a signal will also be applied at the second input. The AND condition is now fulfilled and a signal is generated at the output 2 of the dual-pressure valve. The 5/2-way pneumatic valve 1V2 switches, the piston side of the cylinder is pressurised and the piston rod advances.

If one of the two valves 1S1 or 1S2 is no longer actuated, then the AND condition will no longer be fulfilled and the signal at the output of the dual pressure valve will be reset. The signal pressure at the control port 14 of the control element 1V2 is exhausted to atmosphere via the reset valve 1S1 or 1S2. The control element 1V2 switches back. The pressure building up on the piston rod side ensures the retraction of the piston rod.

An alternative solution to using the dual pressure valve is to use two 3/2-way valves in series. Here the signal is passed from push-button valve 1S1 to the roller lever valve 1S2 and then on to the control element 1V2 but only if both valves 1S1 and 1S2 are operated, i.e. when the AND condition is met. When a valve is released, the signal at the control element is reset and the piston rod retracts.

Fig. 5.10
Circuit diagram



Note A simplified representation without service unit and start-up valve has been selected for this circuit diagram.

5.9 Exercise 3: The logic AND function

The piston rod of the cylinder 1A is to advance only if a workpiece is inserted in the workpiece retainer, a guard has been lowered and the operator presses the push button valve. Upon the release of the push button or if the guard is no longer in its lower position, the cylinder 1A is to retract to the initial position.

The Problem

Draw the circuit diagram for the problem.

Exercise

Designate the valves and indicate the numbering system for the connections (ports).

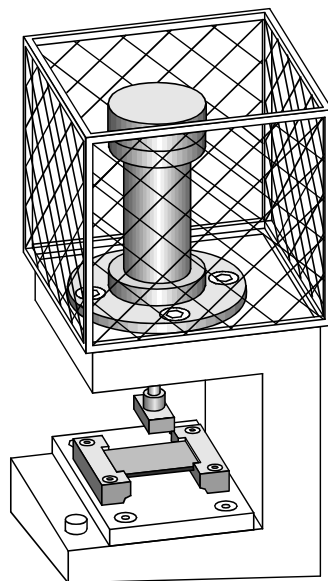
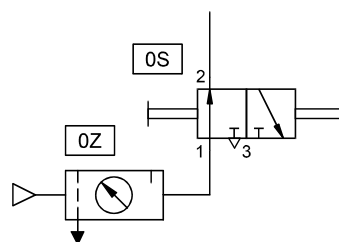
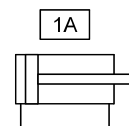


Fig. 5.11
Positional sketch

Question What happens to the cylinder, if the push button is pressed for a very short period and is then immediately released?
Describe the operation of the circuit.

Fig. 5.12
Circuit diagram



5.10 Example 4: The logic OR function

A double-acting cylinder is to advance if one of two push buttons is operated. If the push button is then released, the cylinder is to retract.

The Problem

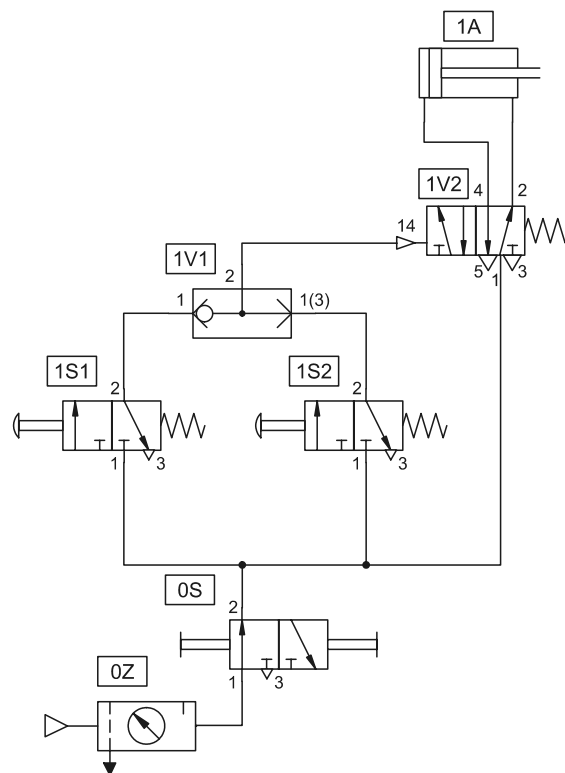


Fig. 5.13
Circuit diagram

The inputs 1 and 1(3) of the shuttle valve 1V1 are connected to the working connections of the valves 1S1 and 1S2. Upon operation of one of the push buttons, the corresponding valve 1S1 or 1S2 is actuated and a signal is generated at the 1 or 1(3) side of the shuttle valve. The OR condition is fulfilled and the signal passes through the shuttle valve and is emitted at port 2. The signal pressure is prevented from escaping via the exhaust of the unactuated valve by closing the line in the shuttle valve. The signal effects the switching of the control element 1V2. The piston side of the cylinder is pressurised and the piston rod advances.

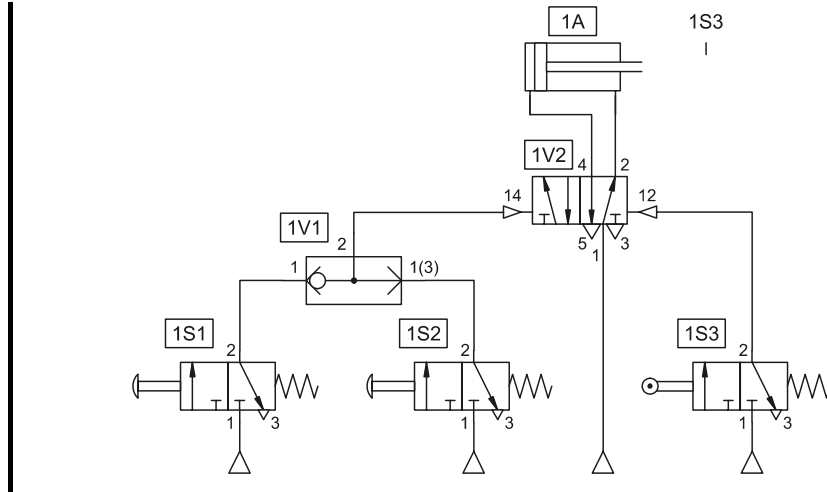
Solution

When the actuated push button is released, the signal pressure is relieved via the valves 1S1 and 1S2 and the control element is switched back to its initial position. The pressure now building up on the piston rod side ensures the retraction of the piston rod.

Extended problem definition

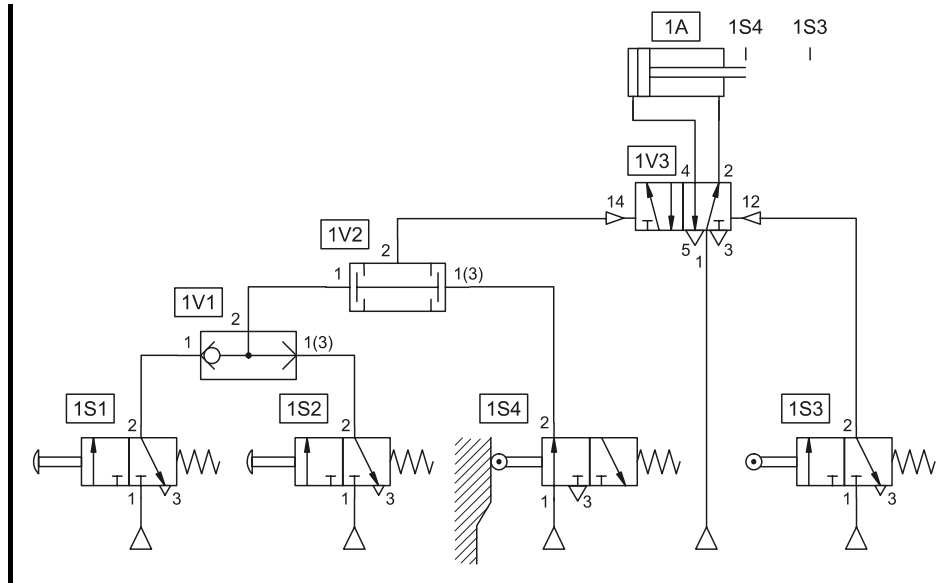
A double pilot valve should be fitted for the control of the cylinder. If the cylinder is to retract on reaching its fully extended position, roller lever valves should be used as limit valves to confirm that this position has been reached.

Fig. 5.14
Circuit diagram



One of the push buttons need only be operated for a short duration and the cylinder will fully extend, since the effect of the signal at input 14 of the 5/2-way double pilot valve 1V2 is maintained until a signal is applied at input 12. As soon as the piston rod has reached the forward end position, the limit switch 1S3 generates a signal at input 12, and the valve 1V2 is reversed. The retracted end position of the piston rod can also be sensed. This requires an additional limit switch.

Fig. 5.15
Circuit diagram



The addition of the dual pressure valve 1V2 and the roller limit switch 1S4 ensures that the cylinder is fully retracted before the cylinder can be extended again. The condition for a renewed advancing of the piston rod is the actuation of one of the valves 1S1 or 1S2 and the limit switch 1S4. When the cylinder is advanced at position 1S3, the cylinder retracts even if the valves 1S1 and 1S2 are still operated since the limit switch 1S4 is inactive.

5.11 Exercise 4: The logic OR function

A double-acting cylinder is used to transfer parts from a magazine. If either a push button or a foot pedal is operated, the cylinder is to advance. Once the cylinder is fully advanced, it is to retract to the initial position. A 3/2-way roller lever valve is to be used to detect the full extension of the cylinder.

The Problem

Draw the circuit diagram for the problem.

Exercise

Designate the valves and indicate the numbering system for the connections (ports).

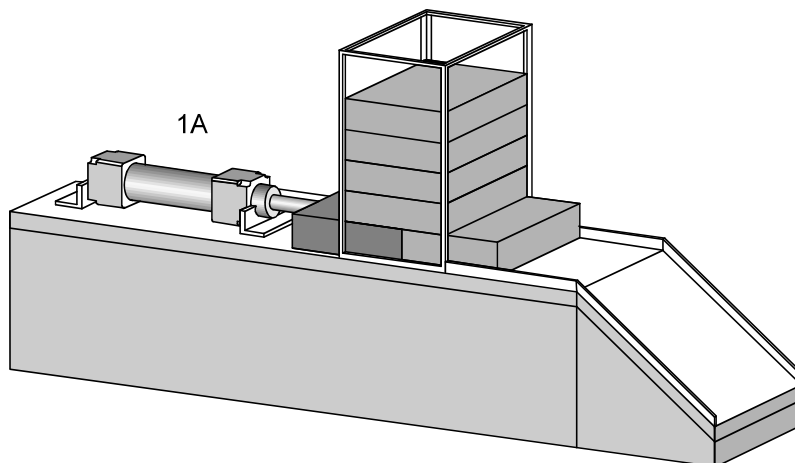
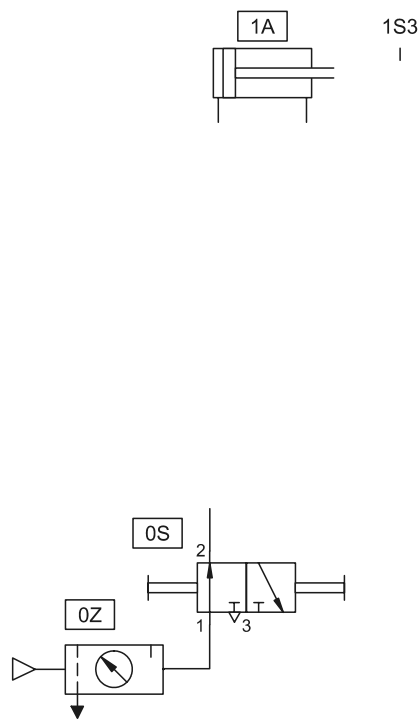


Fig. 5.16
Positional sketch

Question What happens to the cylinder, if the push button or pedal are pressed for a very short period and then immediately released?
Describe the operation of the circuit.

Fig. 5.17
Circuit diagram



5.12 Example 5: Memory circuit and speed control of a cylinder

The piston rod of a double-acting cylinder is to advance when a 3/2-way push button valve is actuated manually. The cylinder is to remain advanced until a second valve is actuated. The signal of the second valve can only take effect after the first valve has been released. The cylinder is to then return to the initial position. The cylinder is to remain in the initial position until a new start signal is given. The speed of the cylinder is to be adjustable in both directions.

The Problem

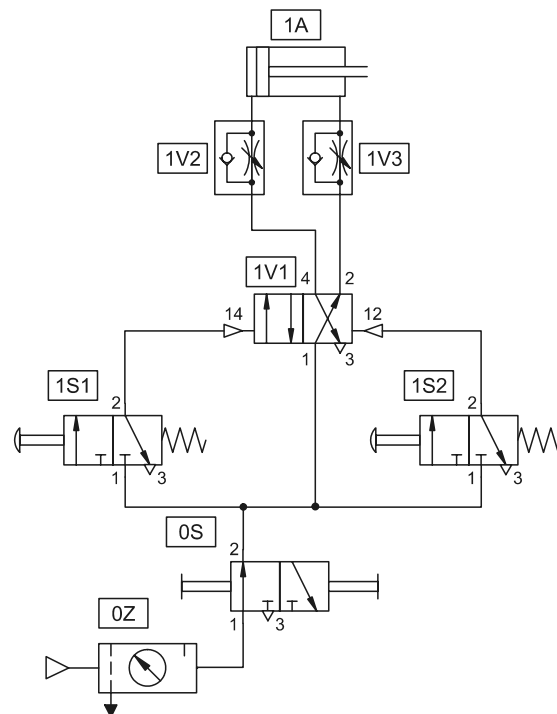
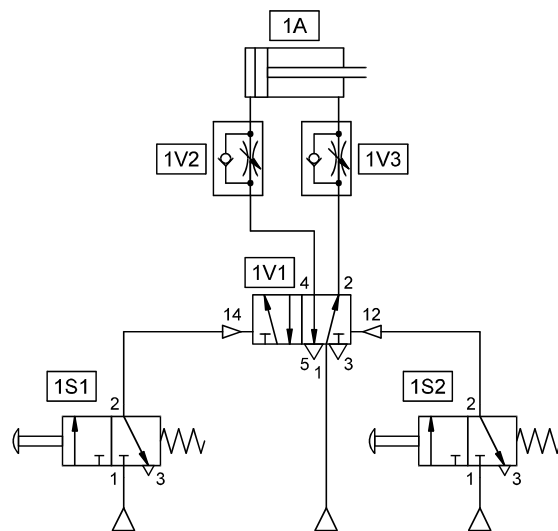


Fig. 5.18
Circuit diagram with 4/2-way
double pilot valve

Solution 4/2-way or 5/2-way double pilot valves possess the required memory function. The valve retains its last switched position until an opposing signal is received. This characteristic is independent of the time period, for which the signal is applied to the switching valve.

The one way flow control valves control the cylinder speed in both directions and are independently adjustable. Since the displaced air flow is restricted in each case, this is an exhaust air flow control.

Fig. 5.19
Circuit diagram with 5/2-way
double pilot valve



In the initial position, the control element 1V1 is switched in such a way that the piston rod side of the cylinder is pressurised and the cylinder is in the retracted state.

Upon operation of the push-button, the valve 1S1 is actuated, so that a signal is generated at the pilot port 14 of the control element 1V1. The control element 1V1 switches, the piston side of the cylinder is pressurised and the piston rod advances. Whilst the supply air flows unrestricted through the one-way flow control valve 1V2, the air displaced via the one-way flow control valve 1V3 on the piston rod side is restricted. The advancing speed of the piston rod is therefore reduced. The switching status of the valve 1V1 is maintained, if the valve 1S1 is released, since this is a memory valve. If the valve 1S2 is actuated, a signal is generated at the control port 12 of the control element. The valve switches, pressure is applied at the piston rod side of the cylinder and the piston rod retracts. Exhaust air flow control is effected via the one-way flow control valve 1V2. If the valve 1S2 is released, the switching position of the control element 1V1 is maintained due to its memory function.

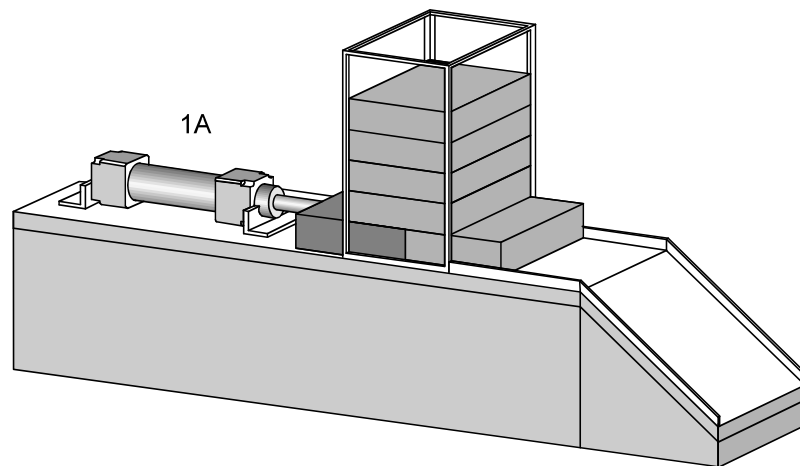
The supply air is transferred through the by-pass check valve of the flow control valves, giving unrestricted supply to the cylinder. The flow control influences the volumetric flow rate of the exhaust air and as such the piston speed. Due to the different volumes of air to be displaced on the piston side and on the piston rod side, the restrictors must be set at different levels to obtain the same retracting and advancing speed.

5.13 Exercise 5: Memory circuit and speed control of a cylinder

The Problem A double-acting cylinder is to be used to transfer parts from a magazine. The cylinder is to advance fully when a push button is operated and then retract automatically. Full extension is confirmed by a roller lever valve. The cylinder is to continue forward even if the push button is released before full extension is reached. The speed of the cylinder is to be adjustable in both directions of motion.

Exercise Draw the circuit diagram for the problem.
Designate the valves and indicate the numbering system for the connections (ports).

Fig. 5.20
Positional sketch



1. What is the effect on the piston rod movement, if the push button remains actuated once the piston rod has reached the end position?
2. What is the effect on the advance stroke, if the roller lever valve is fitted at the stroke mid position of the piston rod?
3. Describe the initial status of the system.
4. Describe the operation of the circuit.

Questions

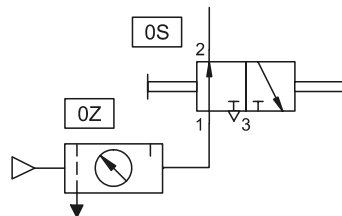
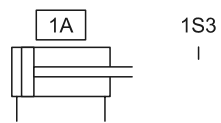


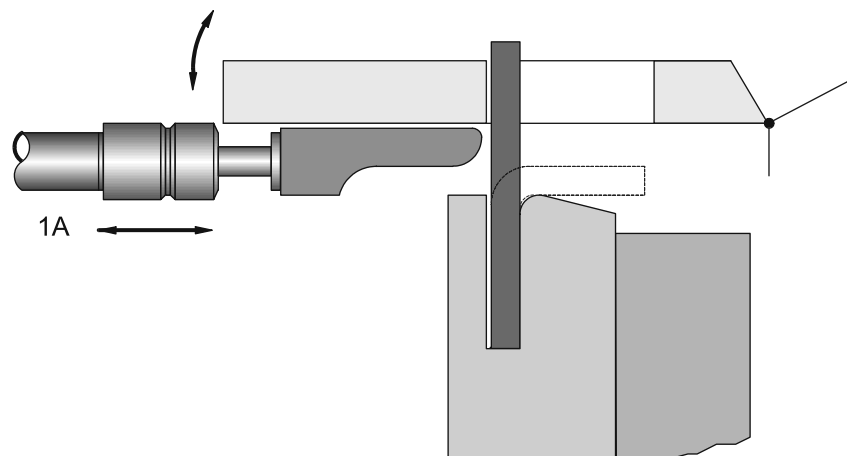
Fig. 5.21
Circuit diagram

5.14 Exercise 6: The quick exhaust valve

The Problem The combined actuation of a manually actuated valve and a roller lever valve advances a forming tool on an edge-folding device. The forming tool is driven by a double-acting cylinder. For rapid forward travel, the circuit utilises a quick exhaust valve. The retracting speed is to be adjustable. If either of the two valves are released, the tool returns to its initial position.

Exercise Draw the circuit diagram for the problem.
Designate the valves and indicate the numbering system for the connections (ports).

Fig. 5.22
Positional sketch



What happens to the cylinder if the push button is pressed for a short period and then released? *Question*

Describe the operation of the circuit.

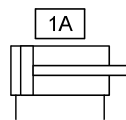
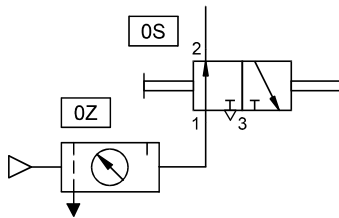


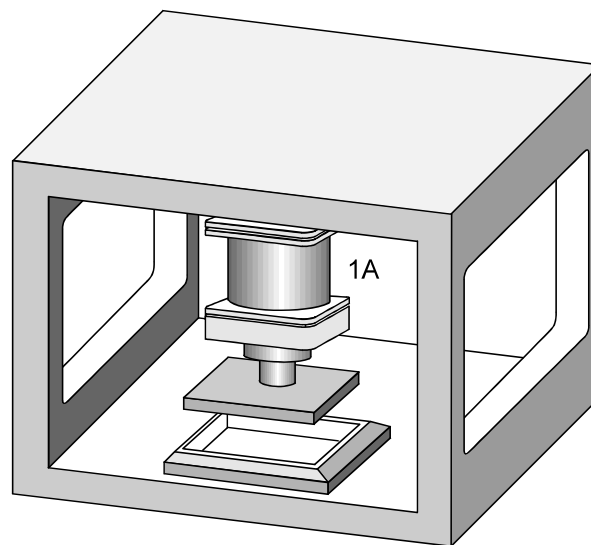
Fig. 5.23
Circuit diagram



5.15 Example 6: Pressure dependent control

The Problem A plastic component is embossed using a die driven by a double-acting cylinder. The die is to advance and emboss the plastic when a push button is operated. The return of the die is to be effected when a preset pressure is reached. The embossing pressure is to be adjustable.

Fig. 5.24
Positional sketch



Solution If the piston rod is not in its initial position, the circuit must be reset by operating the manual override on the 5/2-way double pilot valve.

All valves are unactuated in the initial position, pressure is applied at the piston rod side of the cylinder and the piston rod remains in the retracted state.

Actuation of the push button switches the valve 1S to flow and a signal is applied at the control port 14 of the double pilot valve 1V2. The valve 1V2 switches, pressure is applied at the piston side of the cylinder and the piston rod advances. The switching status of the double pilot valve 1V2 remains intact if the push button 1S is released. When the piston rod reaches the workpiece, travel is stopped and pressure starts to build up on the piston side. The increasing pressure causes the force of the die to increase.

The control port 12 of the pressure sequence valve 1V1 is connected to the pressure line on the piston side of the cylinder 1A. When the pressure in the cylinder reaches the value set on the pressure sequence valve, the 3/2-way valve switches. A signal is now applied at the control port 12 of the valve 1V2. The valve 1V2 switches, pressure is applied at the piston rod side of the cylinder and the piston rod retracts. During retraction, the response pressure set on the pressure sequence valve is not met and the pressure sequence valve returns to its initial position.

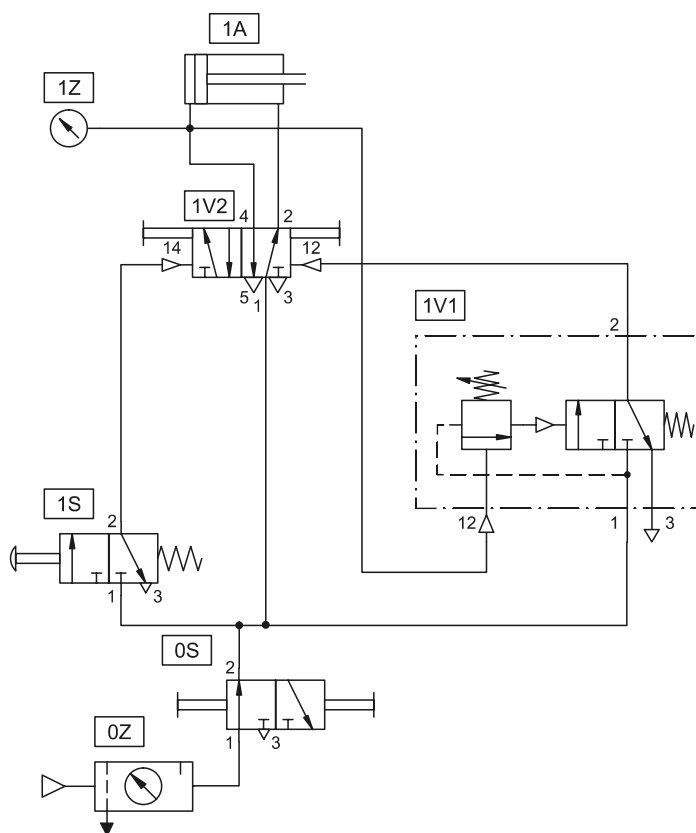


Fig. 5.25
Circuit diagram

The response pressure set on the pressure sequence valve must be lower than the system pressure in order to ensure reliable switching.

Should the advancing piston rod meet an obstacle, then it will retract again before reaching the embossing position.

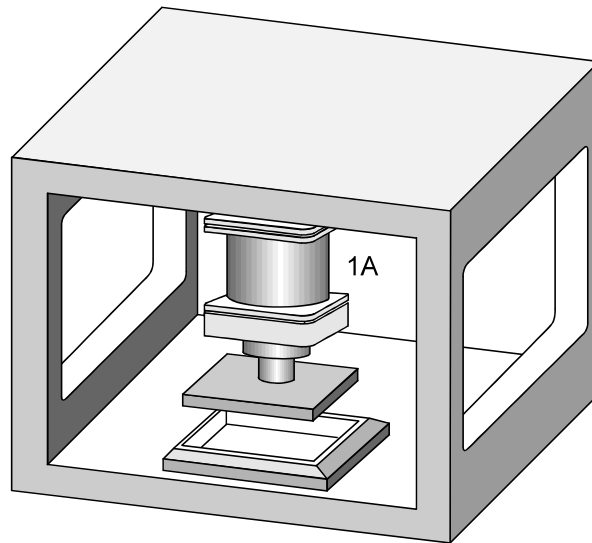
5.16 Exercise 7: Pressure dependent control; embossing of plastic components

The Problem A plastic component is embossed using a die powered by a double-acting cylinder. The return of the die is to be effected when the cylinder rod has fully extended to the embossing position and the preset pressure is reached. A roller lever valve is to be used to confirm full extension. The signal for retracting must only be generated when the piston rod has reached the embossing position. The pressure in the piston chamber is indicated by a pressure gauge.

Exercise Draw the circuit diagram for the problem.

Designate the valves and indicate the numbering system for the connections (ports).

Fig. 5.26
Positional sketch



What happens to the cylinder if the push button is pressed for a short period and then immediately released? *Question*

Describe the operation of the circuit.

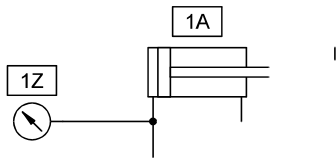
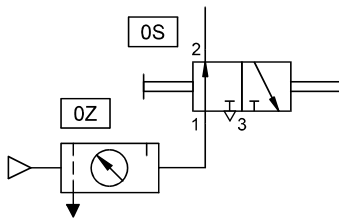


Fig. 5.27
Circuit diagram

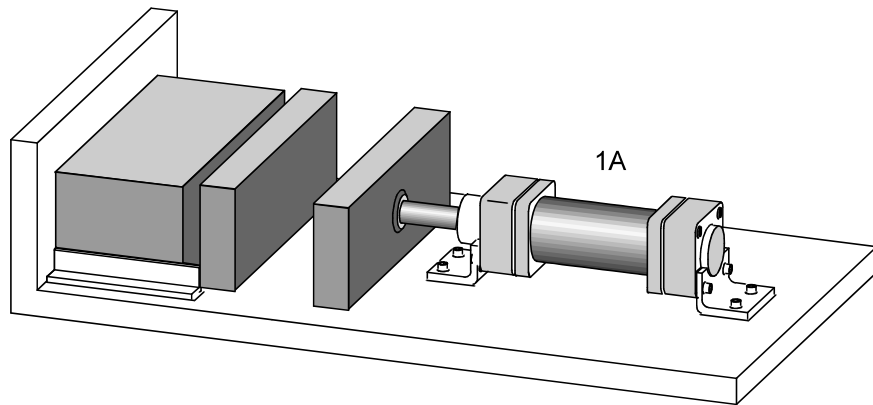


5.17 Example 7: The time delay valve

The Problem A double-acting cylinder is used to press together glued components. Upon operation of a push button, the clamping cylinder extends.

Once the fully advanced position is reached, the cylinder is to remain for a time of $T = 6$ seconds and then immediately retract to the initial position. The cylinder retraction is to be adjustable. A new start cycle is only possible after the cylinder has fully retracted.

Fig. 5.28
Positional sketch



Solution If the piston rod is not in its initial position, the circuit must be reset by operating the manual override on the 5/2-way double pilot valve.

In the initial position, all valves with the exception of the roller lever valve 1S2 (limit switch) are unactuated. Pressure is applied at the piston rod side of the cylinder and the piston rod remains in the retracted state.

Valve 1S1 and the limit switch 1S2 must be actuated as a start condition. The limit switch 1S2 is not actuated unless the piston rod is in its initial position. If the start condition is fulfilled, the dual-pressure valve 1V1 is switched to flow and a signal is applied at the control port 14 of the double pilot valve 1V3. The valve 1V3 reverses, pressure is applied at the piston side of the cylinder and the piston rod advances. The advancing speed is dependent on the setting of the one-way flow control valve 1V5 (exhaust air control). After a short advancing travel, the piston rod releases the limit switch 1S2.

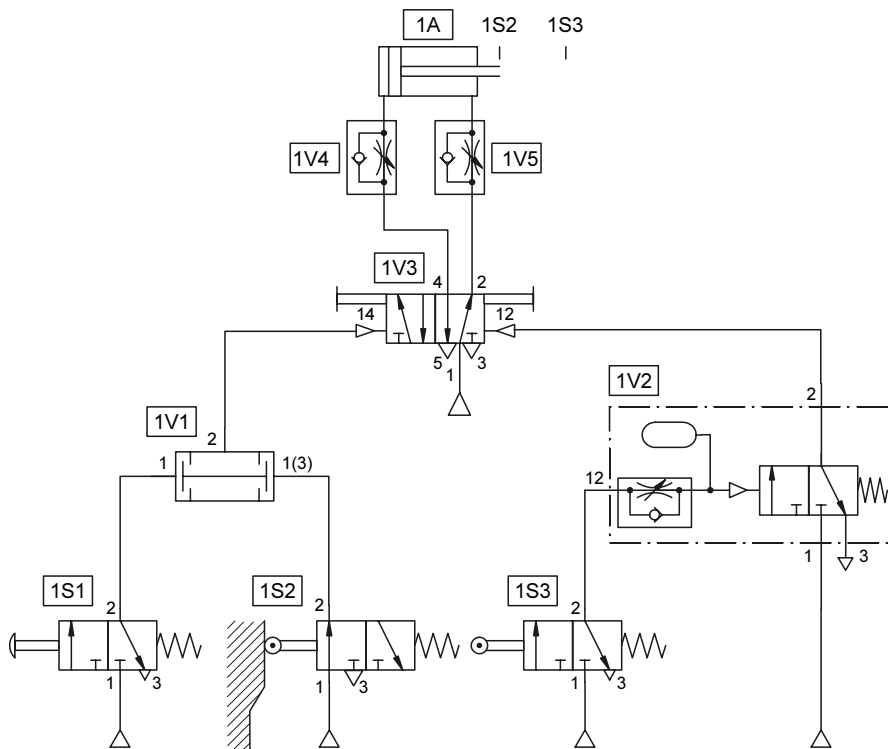


Fig. 5.29
Circuit diagram

Following this, the AND condition at the dual-pressure valve 1V1 is no longer met and the signal at the control port 14 of the double pilot valve 1V3 is reset, whilst its switching position (stored) does not change. A renewed actuation of the valve 1S1 is now ineffective until the system has reached its initial status again. When the embossing position is reached, the limit switch 1S3 is actuated. The air reservoir in the time delay valve 1V2 starts filling up via the integrated one-way flow control valve. The rate of pressure increase is dependent on the setting of the integrated restrictor. When the pressure is sufficiently high, the 3/2-way valve switches and a signal is applied at the control port 12 of the double pilot valve 1V3. The valve 1V3 reverses, pressure is applied at the piston rod side of the cylinder and the piston rod retracts. The retracting speed is dependent on the setting of the one-way flow control valve 1V4.

When retracting, the limit switch 1S3 reverses and the air reservoir of the time delay valve 1V2 is exhausted to atmosphere via the non-return valve and the limit switch 1S3. As result of this, the 3/2-way valve of the time delay valve switches into its initial position. The signal at the control port 12 of the double pilot valve 1V3 is then reset.

When the piston rod reaches its initial position, the limit switch 1S2 is actuated and a new cycle can be started.

5.18 Exercise 8: The time delay valve

A double-acting cylinder is used to press together glued components. Upon operation of a push button, the clamping cylinder slowly advances. Once the fully extended position is reached, the cylinder is to remain for a time of $T = 6$ seconds and then immediately retract to the initial position. A new start cycle is only possible after the cylinder has fully retracted and after a delay of 5 seconds. During this delay the finished part is manually removed and replaced with new parts for gluing. The retracting speed should be fast, but adjustable.

The Problem

Draw the circuit diagram for the problem.

Exercise

Designate the valves and indicate the numbering system for the connections (ports).

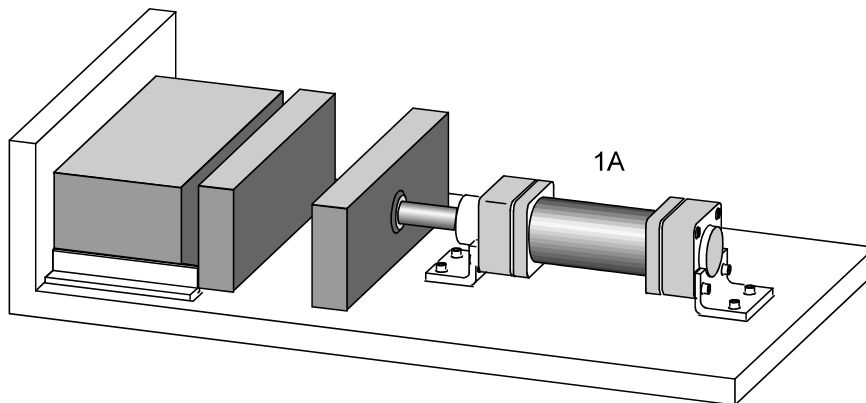
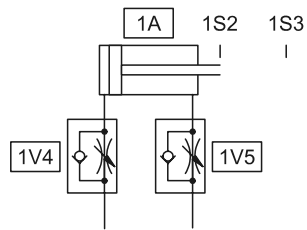


Fig. 5.30
Positional sketch

Question What happens to the cylinder if the push button is pressed for a short period and then immediately released?
Describe the operation of the circuit.

Fig. 5.31
Circuit diagram



Chapter 6

Development of multiple actuator circuits

6.1 Control of multiple actuators

In the case of multiple cylinder circuits, a clear definition of the problem is important. The representation of the desired motion of all actuators is described using the displacement-step diagram. The special conditions for the start of the sequence must also be defined.

If the motion diagram and auxiliary conditions have been clearly defined, drawing of the circuit diagram can commence. The circuit diagram should be designed according to the guidelines set out in chapter A-4.

In order for a circuit to operate, it is essential to avoid overlapping signals. By an overlapping signal, we understand signals applied simultaneously at the two control ports of a double pilot valve. The following valves can be used to eliminate signal overlap: roller lever valves with idle return or toggle lever valves, time delay valves, reversing valves or sequencers.

To provide a better understanding of the methods, some examples are given for the use of roller lever valves with idle return and reversing valves.

6.2 Example 8: Co-ordinated motion

The Problem Two cylinders are used to transfer parts from a magazine onto a chute. When a push button is pressed, the first cylinder extends, pushing the part from the magazine and positions it in preparation for transfer by the second cylinder onto the outfeed chute. Once the part is transferred, the first cylinder retracts, followed by the second.

Confirmation of all extended and retracted positions are required.

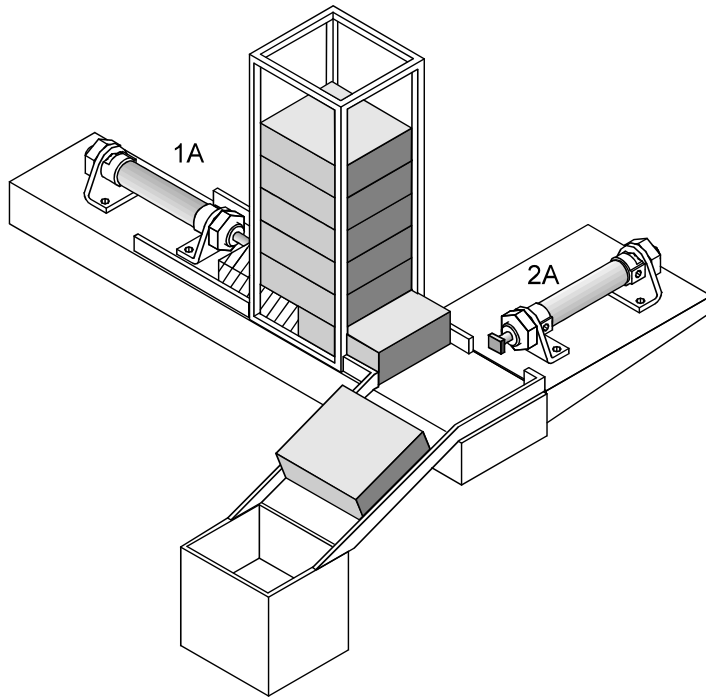


Fig. 6.1
Positional sketch

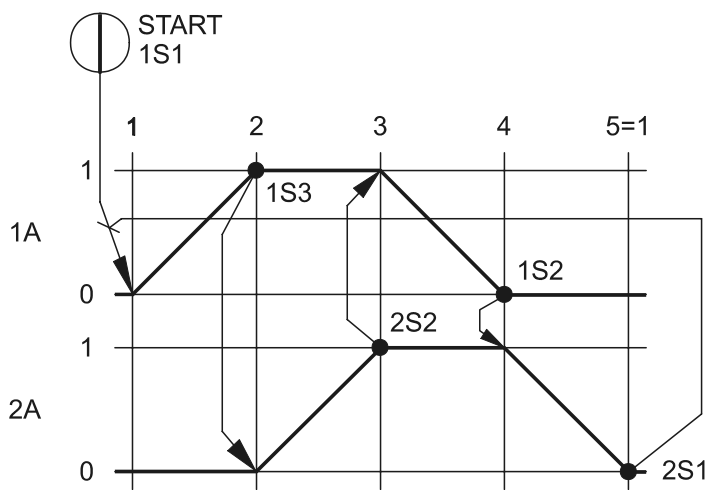
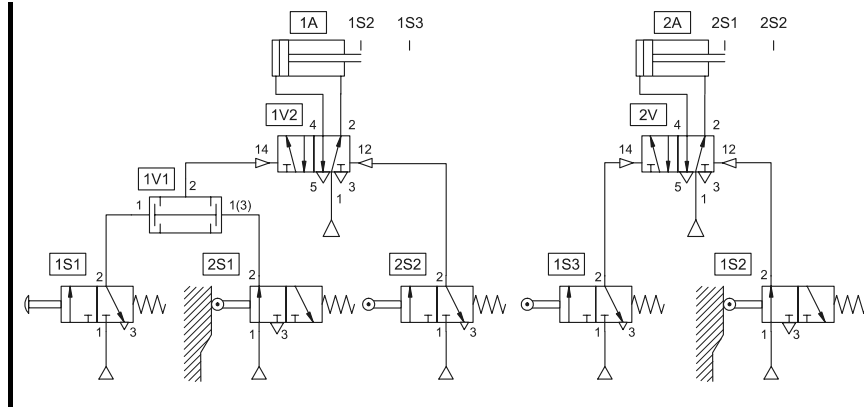


Fig. 6.2
Displacement-step diagram

Fig. 6.3
Circuit diagram:
initial position



Solution Roller lever valves with idle return are to be used as limit switches to detect the return and advance positions of the piston rod. The manual signal input is effected via a 3/2-way valve.

In the initial position, both cylinders are in the retracted state, the limit switches 2S1 and 1S2 are actuated.

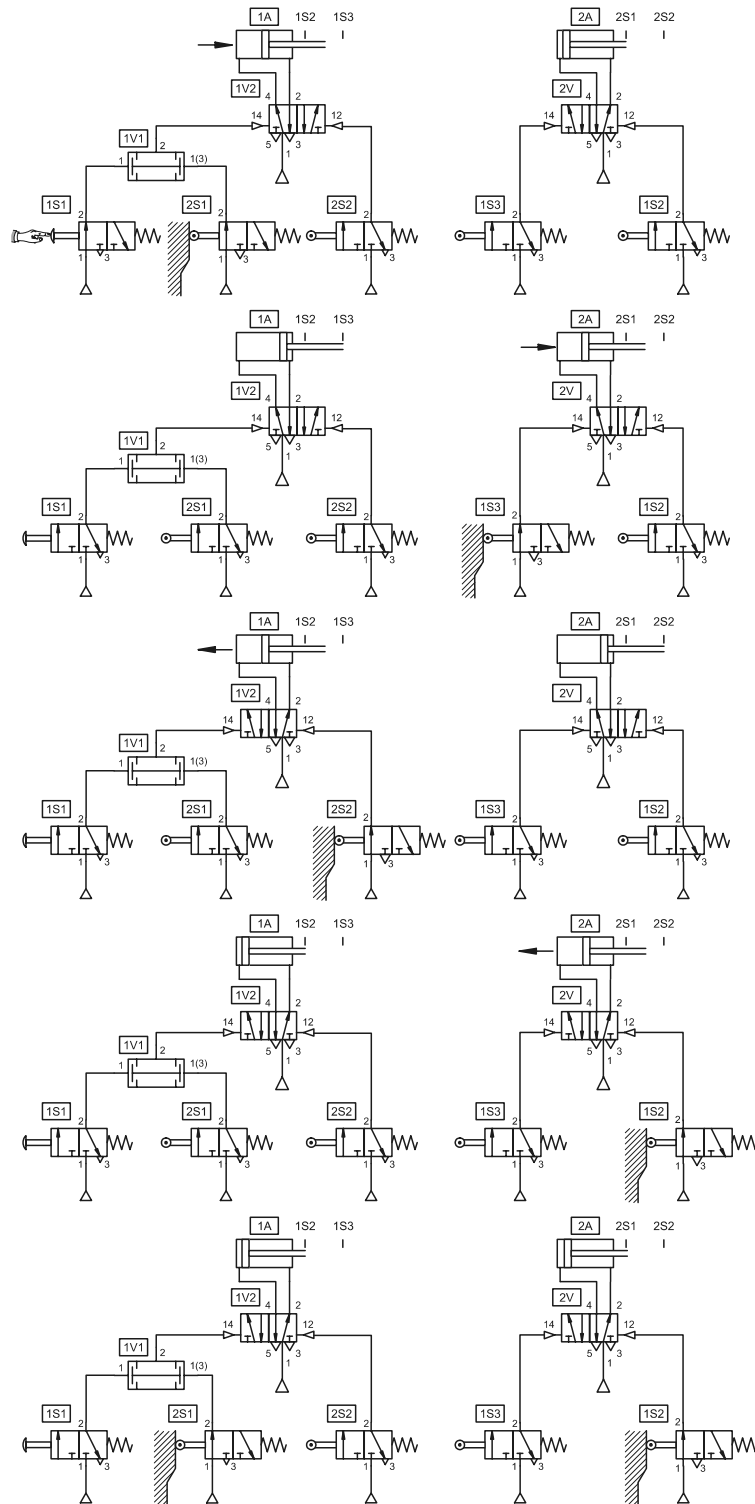
The start condition for a cycle is that the limit switch 2S1 and push button 1S1 must be actuated.

The motion cycle can be determined from the displacement-step diagram and is subdivided into the following steps:

- | | | | |
|--------|----------------------|---|----------------------|
| Step 1 | 1S1 and 2S1 actuated | ⇒ | Cylinder 1A advances |
| Step 2 | 1S3 actuated | ⇒ | Cylinder 2A advances |
| Step 3 | 2S2 actuated | ⇒ | Cylinder 1A retracts |
| Step 4 | 1S2 actuated | ⇒ | Cylinder 2A retracts |
| Step 5 | 2S1 actuated | ⇒ | Initial position |

1. If push button 1S1 is actuated, the 5/2-way double pilot valve 1V2 switches, and the piston rod of the cylinder 1A advances. The part is ejected from the magazine.
2. When cylinder 1A reaches the forward end position, the limit switch 1S3 is actuated. The 5/2-way double-pilot valve 2V then switches and the piston rod of the cylinder 2A advances. The part is moved onto a chute.
3. When cylinder 2A reaches its forward end position, the limit switch 2S2 switches. This causes the control element 1V2 to switch and the piston rod of the cylinder 1A retracts.
4. When the retracted end position of the cylinder 1A has been reached, the limit switch 1S2 switches and the control element 2V switches. The piston rod of the cylinder 2A retracts and actuates the limit switch 2S1 upon reaching its retracted end position.
5. The initial position of the system has now been reached again. A new cycle can be started by actuating the push button 1S1.

Fig. 6.4
Representation of
steps 1 to 5



6.3 Example 9: Signal overlap

In co-ordinated motion control, the 5/2-way memory valve can only switch positions when a single pilot signal is present. If two signals are operated simultaneously, i.e. both pilot signals on the 5/2-way valve are active, a signal overlap problem occurs. Several possibilities are available for the solution of this problem.

The Problem

However, first the signal overlap points must be established.

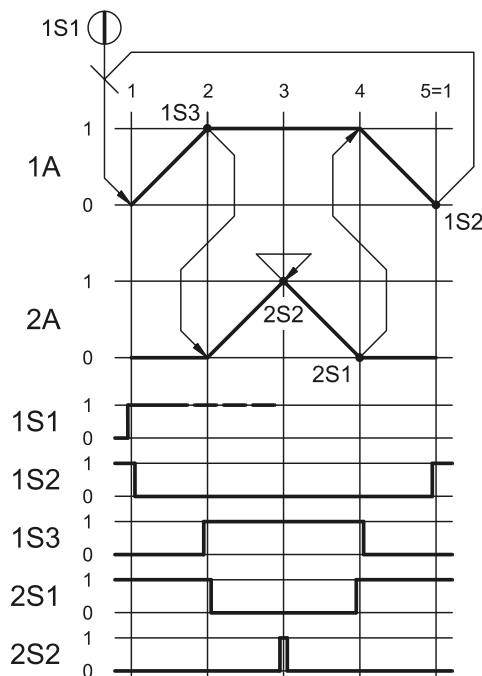


Fig. 6.5
Displacement-step diagram
with operating status of
input elements

Where does signal overlapping occur?

Question

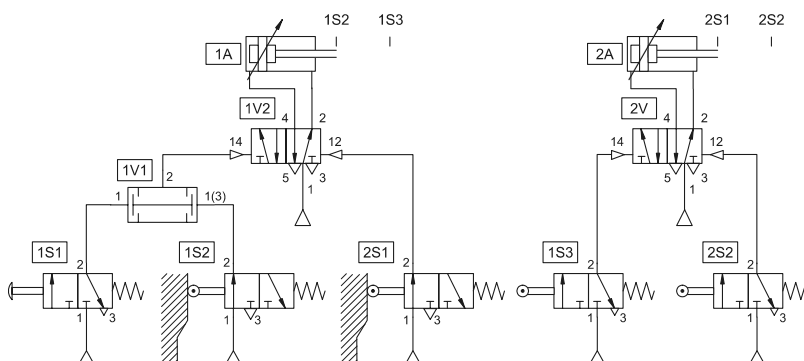
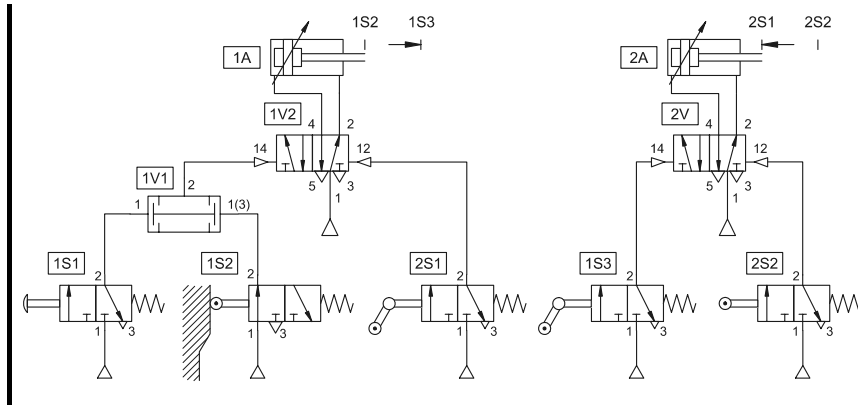


Fig. 6.6
Circuit diagram with
signal overlapping

Solution Signal overlapping occurs in steps 1 and 3. In the initial position, a signal is applied at the control port 12 of the double pilot valve 1V2 via the actuated limit switch 2S1. If push button 1S1 is actuated, a signal is applied at the control port 14 of the double pilot valve 1V2. This signal overlapping can be eliminated by the use of roller lever valves with idle return. These valves are actuated in one direction of movement only by the piston rod and are configured in such a way that actuation is triggered just shortly before reaching the respective initial and end position.

In step 3, a signal overlap occurs at the double pilot valve 2V. The advancing piston rod of the cylinder 1A actuates the limit switch 1S3. The piston rod of the cylinder 2A advances and actuates the limit switch 2S2, which triggers the signal for the immediate retracting of the piston rod. If the limit switch 1S3 is still switched at this point, two signals are applied simultaneously at the double pilot valve 2V and the valve cannot switch. Here too, signal overlapping can be eliminated, if the limit switch 1S3 is a roller lever valve with idle return. In the circuit diagram, an arrow is drawn on the line of the limit switches 2S1 and 1S3. The direction of the arrow indicates in which direction the overtravel of the roller lever valve with idle return leads to actuation. No actuation takes place in the case of overtravel in the opposite direction.

Fig. 6.7
Circuit diagram



The use of roller lever valves with idle return to eliminate signal overlapping has the following disadvantages:

- The end position cannot be sensed accurately
- Function may be impaired as a result of contamination
- Fast control systems are not possible.

6.4 Signal elimination by reversing valves

Signal elimination by means of a reversing valve is a frequently used solution. This basic idea is to allow the signal to be active only for as long as is required. This is achieved by blocking the signal downstream of the signal element by means of a reversing valve, or by supplying energy to the signal element only when the signal is required. A double pilot valve is used to effect the reversal.

6.5 Example 10: Reversing valves

A reversing valve is to be used instead of roller lever valves with idle return to eliminate signal overlap. It is necessary to remove the signals at the 5/2-way double solenoid valves 1V and 2V in good time in order to cancel the signal overlaps. To achieve this, the pressure supply lines of the limit switches 2S1 and 1S3 must be exhausted quickly before the counter signal is applied, i.e. no opposing signals at the memory valves 1V and 2V.

The Problem

Solution The reversing valve 0V supplies the lines P1 and P2 with compressed air or exhausts these to atmosphere. In the initial position, both piston rods are retracted, the limit switches 2S1 and 1S2 are actuated and pressure is applied at the control ports 12 of the 5/2-way double pilot valves 1V and 2V.

Following actuation of the push button 1S1, the reversing valve 0V switches. The line P1 is supplied with compressed air and line P2 is exhausted. The limit switch 2S1 remains actuated, but the control port 12 of the valve 1V is unpressurised. Pressure is applied at the control port 14 of the valve 1V and the valve reverses. The piston rod of the cylinder 1A advances, whereby the limit switch 1S2 is reset and the control port 14 of the reversing valve 0V is exhausted.

The limit switch 1S3 is actuated when the end position is reached and the valve 2V reverses. The piston rod of the cylinder 2A advances.

After the piston rod has left the initial position, the limit switch 2S1 is reset. Upon reaching the end position, the limit switch 2S2 is actuated. The reversing valve 0V switches, line P2 is supplied with system pressure and line P1 become unpressurised. The valve 2V switches and the piston rod of the cylinder 2A retracts.

When the initial position is reached, the limit switch 2S1 is actuated, the valve 1V switches and the piston rod of the cylinder 1A retracts. When the piston rod reaches its initial position, the limit switch 1S2 is actuated and the system is in the initial state again.

A new cycle can now be started by pressing push button 1S1.

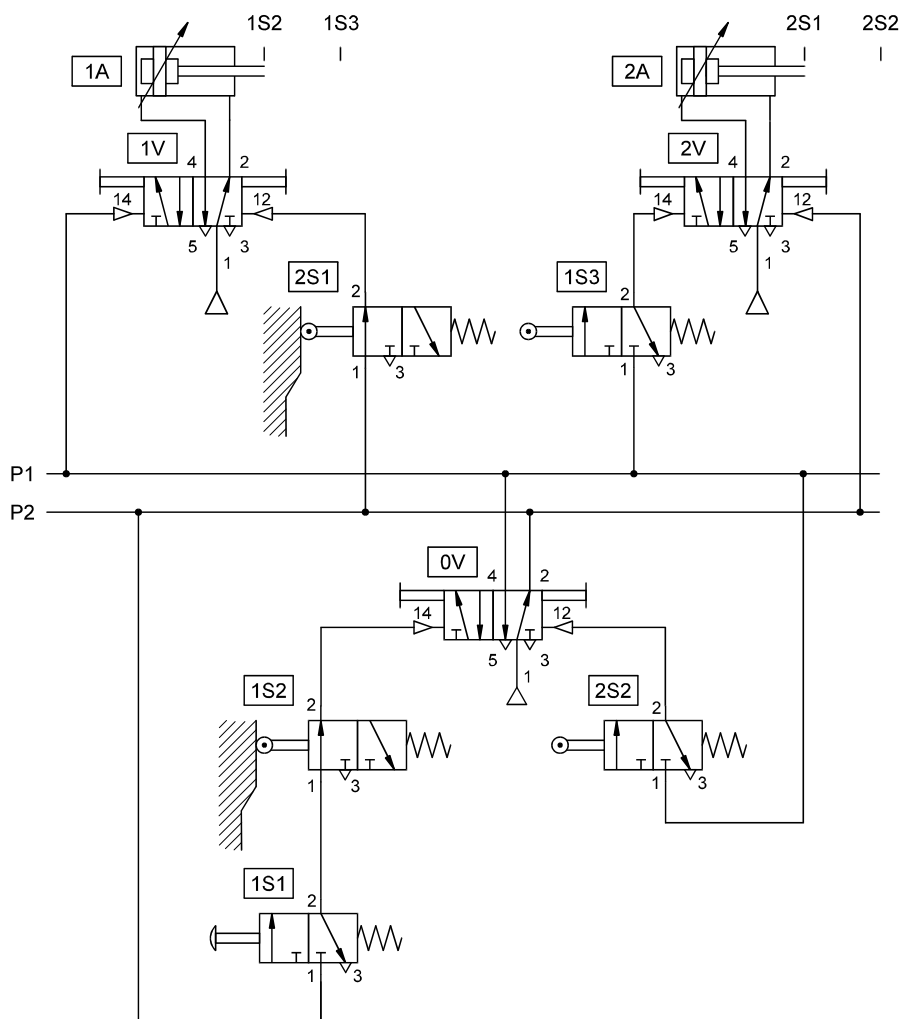


Fig. 6.8
Circuit diagram

6.6 Example 11: Reversing valves

The Problem Using a transfer station, parts are to be transferred from a vertical magazine onto a chute. The parts are pushed out of the magazine by cylinder 1A and then transferred onto the chute by cylinder 2A. The piston rod of the cylinder 1A may only extend once the cylinder 2A has retracted. The cycle is to start when a start button is pressed. Limit switches are used to confirm cylinder positions.

Fig. 6.9
Positional sketch

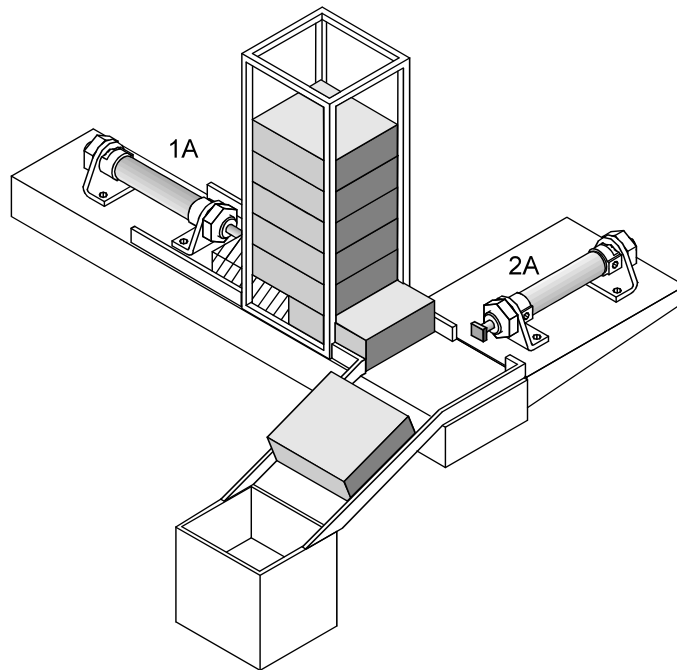


Fig. 6.10
Displacement-step diagram

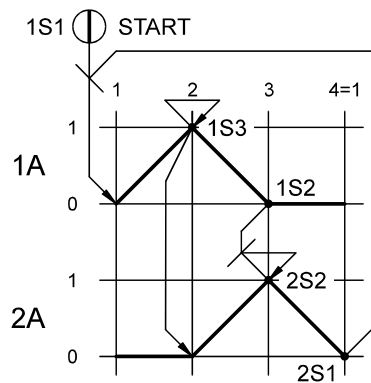
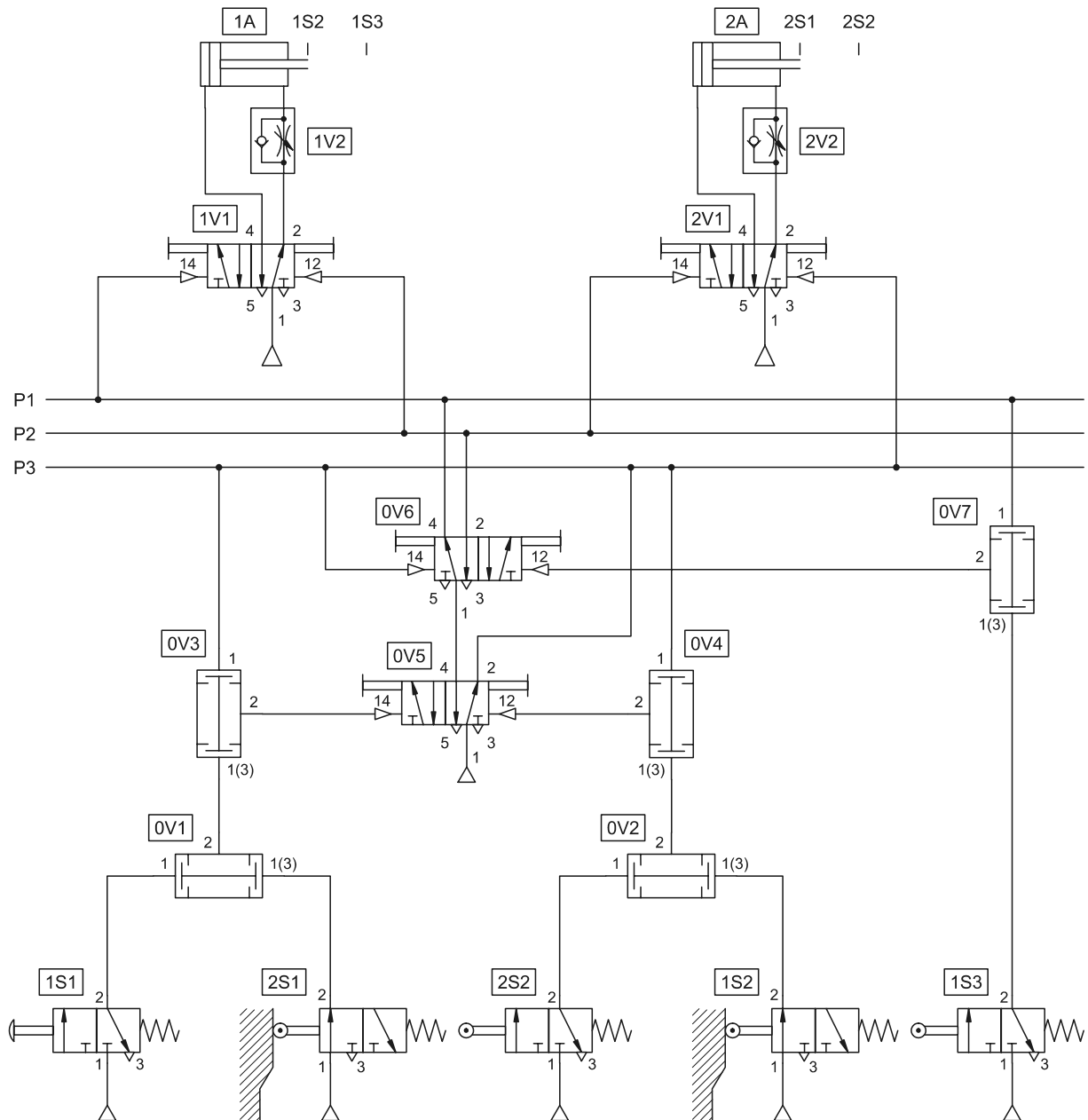


Fig. 6.11
Circuit diagram



Solution In the circuit diagram, all signal input elements are connected in the active state. This means that the input elements are directly supplied with compressed air. In this way, the compressed air does not have to flow through all the linked valves before a control process is triggered. Pressure drop is reduced and control is faster. The input elements are connected to the reversing valves via dual-pressure valves.

The sequence has three steps and signal overlap is potentially a problem at two positions. The first step is the advance of cylinder 1A, followed by step 2, the immediate retraction of cylinder 1A. Therefore it is possible that overlap occurs on the valve 1V1 at ports 14 and 12, unless the reversing valve technique is used. The valve 2S1 is held operated initially by cylinder 2A, but the push button valve 1S1 is a momentary push button, and in most cases, it would not be expected that the start button be operated for an extended period. Therefore the valve 1S1 may be used as the means of cancelling the first overlap signal.

The second overlap problem occurs with cylinder 2A and valve 2V1. Here the problem occurs in step 3, when the cylinder is to retract immediately after the extension is completed. The first of the two signals on the control valve 2V1 must be short in duration.

To remove the overlap the reversing valve circuit is developed with three lines feeding three steps. The lines P1 to P3 represent the individual steps 1 to 3.

In step 1 the cylinder 1A extends, therefore the pilot signal 1V1 at port 14 is fed via line P1.

Two movements occur in step 2: cylinder 1A retracts and cylinder 2A extends. Therefore line P2 feeds the pilot signals 1V1 at port 12 and 2V1 at port 14.

In the third step, the piston rod of cylinder 2A is to retract due to the pilot signal 2V1 at port 12 which is fed from line P3.

The input side of the circuit shows that the valves 1S1 and 2S1 have to be operated to start the cycle. The valve 1S3 operates next and is fed to port 12 of reversing valve 0V6. This switches to activate line P2 and exhausts line P1. The next movements are cylinders 1A back and 2A out, confirmed by valves 2S2 and 1S2 which are series connected to the 12 port of the reversing valve 0V5. The valve 0V5 switches, the line P2 is exhausted and line P3 activated. The cycle is now prepared for a start condition, once valve 2S1 is initiated by cylinder 2A retracting. Actuation of the start button 1S1 causes the cycle to restart.

Chapter 7

Trouble-shooting of pneumatic systems

7.1 Documentation

The documentation of a pneumatic system comprises the following:

- Function diagram
- Circuit diagram
- Operating instructions
- Data sheets

When the system is modified, the documentation and the machine history should be updated to reflect any changes, in order to facilitate trouble-shooting and elimination of faults.

7.2 The causes and effects of malfunctions

In general, malfunctions of a system fall into the following categories:

- Wear and tear on components and lines which can be accelerated by:
 - Ambient medium (e.g. aggressive air, temperature)
 - Quality of compressed air (e.g. excessive humidity or lubrication)
 - Relative motion of components
 - Incorrect loading of components
 - Incorrect maintenance
 - Incorrect mounting and connection

These influences can lead to the following malfunctions or failures of the system:

- Blocking of lines
- Seizure of units
- Breakages
- Leakages
- Pressure drop
- Incorrect switching

A systematic procedure for finding and eliminating faults reduces commissioning and downtimes of a pneumatic control system.

Fault diagnosis

Faults generally occur either:

- Due to external failure of the machine components or due to stop-pages
- Internal failures within the control system.

Experience has shown that the occurrence of control system failure is rare compared with external sensor or machine failure.

If a fault occurs, this manifests itself through the malfunction or downtime of a machine. A fault can be eliminated as follows:

Fault finding

- Fault elimination by operating or maintenance personnel
- Fault elimination through customer services.

External faults and most internal faults can be identified and often solved by an experienced operator. If the problem cannot be quickly solved, the characteristics of the machine at the point of failure and the status of the control system should be recorded. Using this information, the maintenance engineer can make a decision as to the kind of failure that has occurred and the necessary actions to be taken.

Fault diagnosis should be carried out without delay at the time of failure and steps taken to eliminate the fault. Therefore, machine downtime will be minimal.

Preventive maintenance

Premature wear or failure of components can be the result of design or planning errors. If the following points are taken into consideration during the planning phase, this minimises the risk of premature machine failure.

- Selection of the appropriate components and signal generators. They should be adjusted to suit the environmental and operational conditions of the system (e.g. switching frequency, heavy loads)
- Protection of components against contamination
- Mechanical absorption of the actuating forces through additional shock absorbers
- Short line lengths, fitted with amplifiers where necessary

Fault finding in pneumatic systems

As a rule, a newly-designed and installed pneumatic system will run trouble-free for some time after initial adjustments have been carried out.

It is important to proceed systematically when faults occur. Even more complex controls can be divided into smaller units and then examined independently of each other for faults.

If the operator is unable to rectify the fault, then maintenance or customer services personnel will have to be called upon.

It frequently occurs that sections of pneumatic systems are extended without enlarging the necessary air supply. Malfunctions which can be caused by under-sized air supply are:

- The piston rod speed is not always correct
- The force at the power cylinder drops for a short time during a pressure drop.
- Switching times are too long

Malfunctions caused by under-sized air supply

The same symptoms may occur as the result of changes in orifice cross-sections caused by contamination or kinked lines or if leakage is causing a pressure drop.

Apart from the corrosive damage caused to surfaces by condensate which is, in many cases extremely aggressive, there is the considerable danger of seizure of valve components if they need to be reset by spring force after being held in one switching position for a considerable time. Lubricants without additives have a tendency to emulsify and create resin or gumming. All close-tolerance sliding fits in valves are particularly susceptible to these resistances to movement.

Malfunctions caused by condensate

In a pneumatic system, a service unit should generally be connected upstream in the compressed air supply section. This filters the dirt particles from the compressed air supply.

Malfunctions caused by contamination

During assembly or maintenance work, dirt particles (e.g. thread particles, sealing agents, etc.) may remain in the pressure lines and get into the valve during operation.

In the case of systems which have been in service for some time, may find their way into the lines. This contamination of the lines may produce the following effects :

- Sticking or seizure of slide-valve seats
- Leaks in poppet valves
- Blockage of flow control valve nozzles.

7.3 Maintenance

Systematic maintenance helps to prolong service life and improve the functional reliability of pneumatic control systems.

A detailed maintenance plan should be drawn up for every pneumatic system. A maintenance plan lists the maintenance tasks and time intervals. In the case of complex control systems, the maintenance documentation must include a function diagram and circuit diagram.

The time intervals between individual maintenance work to be carried out is dependent on the period of use, the wear characteristics of the individual components and the ambient medium. The following maintenance work must be carried out frequently and at short intervals:

- Service unit
 - Check the filter
 - Drain water regularly
 - Refill and set lubricator, if a lubricator is used.
- Check signal generators for possible deposits of dirt or swarf

The following maintenance work can be undertaken at greater time intervals:

- Check the seals of the connectors for leaks
- Replace lines connected to moving parts
- Check the rod bearings in the cylinders for wear and replace if necessary
- Clean or replace filter elements
- Check function of safety valves
- Check mountings

Section B

Theory

Chapter 1

Fundamentals of pneumatics

1.1 Physical fundamentals

Air is an abundant gas mixture with the following composition:

- Nitrogen approx. 78 vol. %
- Oxygen approx. 21 vol. %

It also contains traces of carbon dioxide, argon, hydrogen, neon, helium, krypton and xenon.

To assist in the understanding of the natural laws as well as the behaviour of air, the physical dimensions which are employed. The data is taken from the "International System of Units", SI for short.

<i>Basic units</i>	Quantity	Symbol	Units
	Length	L	Meter (m)
	Mass	m	Kilogram (kg)
	Time	t	Second (s)
	Temperature	T	Kelvin (K, 0 °C = 273.15 K)

<i>Derived units</i>	Quantity	Symbol	Units
	Force	F	Newton (N) = 1 kg • m/s ²
	Area	A	Square metre (m ²)
	Volume	V	Cubic metre (m ³)
	Flowrate	q _v	(m ³ /s)
	Pressure	p	Pascal (Pa) 1 Pa= 1 N/m ² 1 bar = 10 ⁵ Pa

Newton's Law: Force = mass • acceleration
 $F = m \cdot a$
 where a is replaced by the acceleration due to gravity
 $g = 9.81 \text{ m/s}^2$

Pressure: 1 Pascal is equal to the constant pressure on a surface area of 1 m² with the vertical force of 1 N (Newton).

The pressure prevailing directly on the earth's surface is known as atmospheric pressure (p_{amb}). This pressure is also referred to as reference pressure. The range above this pressure is known as excess pressure range ($p_e > 0$), the range below is referred to as vacuum range ($p_e < 0$). The atmospheric differential pressure p_e is calculated according to the formula:

$$p_e = p_{\text{abs}} - p_{\text{amb}}$$

This is illustrated by the following diagram:

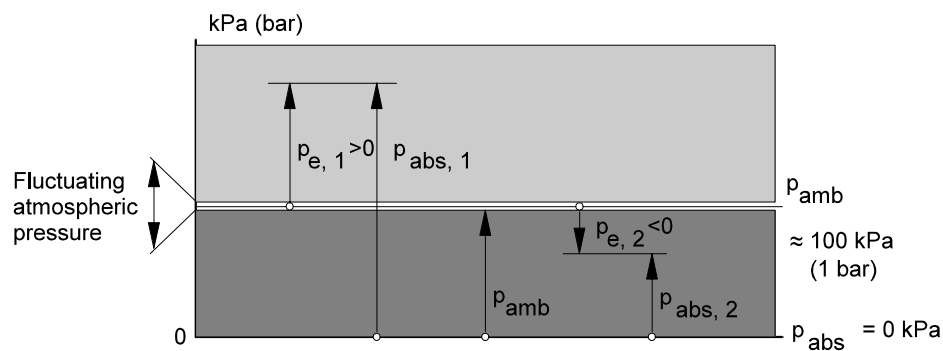


Fig. 1.1
Air pressure

Atmospheric pressure does not have a constant value. It varies with the geographical location and the weather.

The absolute pressure p_{abs} is the value relative to pressure Zero - Vacuum. It is equal to the sum of the atmospheric pressure and the excess pressure or vacuum. In practice, pressure gauges which only indicate the excess pressure are generally used. The absolute pressure value p_{abs} is approximately 100 kPa (1 bar) higher.

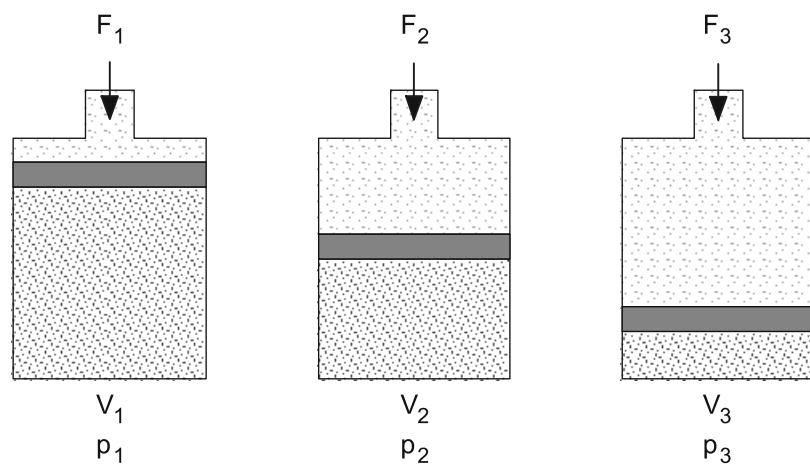
Generally, in pneumatics all data concerning air quantity refers to the so-called standard state. According to DIN 1343, the standard state is the status of a solid, fluid or gaseous substance defined by standard temperature and pressure.

- Standard temperature $T_n = 273.15 \text{ K}$, $t_n = 0 \text{ °C}$
- Standard pressure $p_n = 101325 \text{ Pa} = 1.01325 \text{ bar}$

1.2 Characteristics of air

A characteristic of air is its minimal cohesion, i.e. the forces between the air molecules are to be disregarded for operating conditions usual in pneumatics. In common with all gases, air has no particular shape. Its shape changes with the slightest resistance, i.e. it assumes the shape of its surroundings.

Fig. 1.2
Boyle-Mariotte's Law



Boyle-Mariotte's Law

Air can be compressed and it endeavours to expand. The applicable relationship is given in Boyle-Mariottes Law. At constant temperature, the volume of a given mass of gas is inversely proportional to the absolute pressure, i.e. the product of absolute pressure and volume is constant for a given mass of gas.

$$p_1 \cdot V_1 = p_2 \cdot V_2 = p_3 \cdot V_3 = \text{Constant}$$

The following example illustrates the above principles. Air at atmospheric pressure is compressed by an air compressor to 1/7th the volume. What is the gauge pressure of the air assuming a constant temperature process ?

Example calculation

$$p_1 \cdot V_1 = p_2 \cdot V_2$$

$$p_2 = p_1 \cdot \frac{V_1}{V_2}$$

$$\text{Note: } V_2 / V_1 = 1/7$$

$$p_1 = p_{\text{amb}} = 100 \text{ kPa} = 1 \text{ bar}$$

$$p_2 = 1 \cdot 7 = 700 \text{ kPa} = 7 \text{ bar absolute}$$

$$\text{Therefore: } p_e = p_{\text{abs}} - p_{\text{amb}} = (700 - 100) \text{ kPa} = 600 \text{ kPa} = 6 \text{ bar}$$

A compressor that produces 600 kPa must have a compression ratio of 7:1

Air expands by 1/273 of its volume at constant pressure, a temperature of 273 K and a temperature rise of 1 K. According to the Gay-Lussac's law, the volume of a given mass of gas is proportional to the absolute temperature as long as the pressure does not change.

Gay-Lussac law

$$\frac{V_1}{V_2} = \frac{T_1}{T_2} \quad V_1 = \text{Volume at } T_1, V_2 = \text{Volume at } T_2$$

or

$$\frac{V}{T} = \text{Constant}$$

The volume change ΔV is:

$$\Delta V = V_2 - V_1 = V_1 \cdot \frac{T_2 - T_1}{T_1}$$

The following applies for V_2 :

$$V_2 = V_1 + \Delta V = V_1 + \frac{V_1}{T_1} (T_2 - T_1)$$

The above equations only apply if the temperatures in K are used. In order to be able to calculate in °C, the following formula is to be used:

$$V_2 = V_1 + \frac{V_1}{273^\circ\text{C} + T_1} (T_2 - T_1)$$

Example calculation 0.8 m³ air at temperature T₁ = 293 K (20 °C) are heated to T₂ = 344 K (71 °C). How much does the air expand?

$$V_2 = 0.8\text{m}^3 + \frac{0.8\text{m}^3}{293\text{K}} (344\text{K} - 293\text{K})$$

$$V_2 = 0.8\text{m}^3 + 0.14\text{m}^3 = 0.94\text{m}^3$$

The air has expanded by 0.14 m³ to 0.94 m³.

If the volume is kept constant during the temperature rise, this results in the following formula for the pressure increase:

$$\frac{p_1}{p_2} = \frac{T_1}{T_2}$$

or

$$\frac{p}{T} = \text{Constant}$$

General gas equation The general gas equation is a combination of all three:

$$\frac{p_1 \cdot V_1}{T_1} = \frac{p_2 \cdot V_2}{T_2} = \text{Constant}$$

In the case of a given mass of gas, the product of pressure and volume divided by the absolute temperature is constant.

This general gas equation results in the previously mentioned laws, if one of the three factors p, V or T is kept constant in each case.

- Pressure p constant ⇒ isobar changes
- Volume V constant ⇒ isochore changes
- Temperature T constant ⇒ isothermal changes

Chapter 2

Air generation and distribution

2.1 Air preparation

For the continuing performance of control systems and working elements it is necessary to guarantee that the air supply is:

- at the required pressure,
- dry and
- clean

If these conditions are not fulfilled, then short to medium term degeneration of the system will be accelerated. The effect is downtime on the machinery in addition to increased costs for repair or replacement of parts.

The generation of compressed air starts off with compression. The compressed air flows through an entire series of components before reaching the consuming device. The type of compressor and its location to a lesser or greater degree affect the amount of dirt particles, oil and water which enter into a pneumatic system. The equipment to be considered in the generation and preparation of air include:

- Inlet filter
- Air compressor
- Air reservoir
- Air dryer
- Air filter with water separator
- Pressure regulator
- Air lubricator as required
- Drainage points

Poorly-prepared compressed air will inevitably lead to malfunctions and may manifest itself in the system as follows:

- Rapid wear of seals and moving parts in the cylinders and valves
- Oiled-up valves
- Contaminated silencers
- Corrosion in pipes, valves, cylinders and other components
- Flushing out of lubrication of moving components

In the case of leakage, escaping compressed air may impair the materials to be processed (e.g. food).

As a rule, pneumatic components are designed for a maximum operating pressure of 800 to 1000 kPa (8-10 bar). Practical experience has shown, however, that approximately 600 kPa (6 bar) should be used for economic operation. Pressure losses of between 10 and 50 kPa (0.1 and 0.5 bar) must be expected due to the restrictions, bends, leaks and pipe-runs, depending on the size of the piping system and the method of layout. The compressor's system should provide at least 650 to 700 kPa (6.5 to 7 bar) for a desired operating pressure level of 600 kPa (6 bar).

Pressure level

2.2 Air compressors

The selection from the various types of compressors available is dependent upon quantity of air, pressure, quality and cleanliness and how dry the air should be. There are varying levels of these criteria depending on the type of compressor.

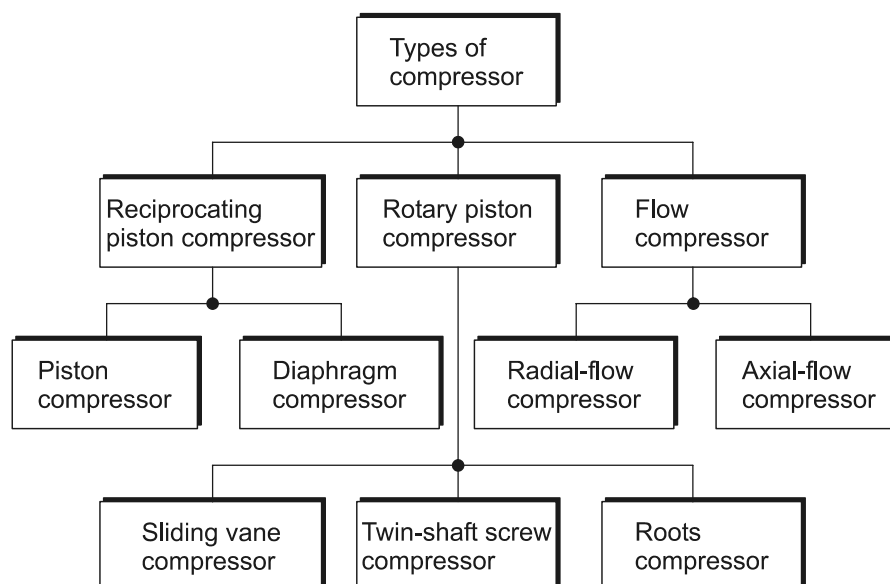


Fig. 2.1
Compressor types

A piston compresses the air drawn in via an inlet valve. The air is passed on via an outlet valve.

Reciprocating piston compressors

Reciprocating compressors are very common and provide a wide range of pressures and delivery rates. For higher pressures multistage compression is used with intercooling between each stage of compression.

The optimum range of pressures for reciprocating compressors are approximately:

up to 400 kPa	(4 bar)	Single stage
up to 1500 kPa	(15 bar)	Double stage
over 1500 kPa	(> 15 bar)	Treble or multi stage

Also, it is possible but not necessarily economic to operate in the following ranges:

up to 1200 kPa	(12 bar)	Single stage
up to 3000 kPa	(30 bar)	Double stage
over 3000 kPa	(> 30 bar)	Treble or multi stage

- Diaphragm compressor* The diaphragm compressor belongs to the reciprocating piston compressor group. The compressor chamber is separated from the piston by a diaphragm. The advantage of this is that no oil can enter into the air flow from the compressor. The diaphragm compressor is therefore used where oil is to be excluded from the air supply, for example in the food, pharmaceutical and chemical industries.
- Rotary piston compressor* The rotary group of compressors use rotating elements to compress and increase the pressure of the air. During the compression process, the compression chamber is continually reduced.
- Screw compressor* Two screw-shaped shafts (rotors) turn in opposite directions. The meshed profile of the two shafts causes the air to flow which is then compressed.
- Flow compressor* These are particularly suitable for large delivery quantities. Flow compressors are made in axial or radial form. The air is made to flow by means of one or several turbine wheels. The kinetic energy is converted into pressure energy. In the case of an axial compressor, the air is accelerated in the axial direction of flow by means of blades.

In order to adapt the delivery quantity of the compressor to the fluctuating demand, it is necessary to regulate the compressor. The delivery quantity is regulated between the adjustable limits for maximum and minimum pressure. There are a number of different types of regulation:

- Idling regulation Relief regulation
 Shut-off regulation
 Claw regulation
- Part-load control Speed adjustment
 Suction throttle control
- Intermittent control

Regulation

In the case of relief regulation, the compressor operates against a pressure-relief valve. When the set pressure is reached, the pressure-relief valve opens and the air is exhausted to atmosphere. A non-return valve prevents the emptying of the tank. This type of regulator is only used for very small installations.

Idling regulation

With shut-off regulation the suction side is shut off. The compressor cannot take in air. This type of regulation is mainly used in the case of rotary piston compressors.

With larger piston compressors, claw regulation is used. A claw holds the suction valve open; the compressor cannot compress any air.

In the case of speed adjustment, the speed of the drive motor of the compressor is controlled dependent on the pressure reached.

Part-load control

With suction throttle control, control is effected by means of a restrictor in the suction connection of the compressor.

With this type of control, the compressor assumes the operational conditions 'full load' and 'normal'. The drive motor of the compressor is switched off when p_{\max} is reached, and switched on when p_{\min} is reached.

Intermittent control

It is recommended that a duty cycle of approx. 75 % is achieved for a compressor. To do so, it is necessary to determine the average and maximum air requirement of a pneumatic system and to select the compressor on the basis of this. If it is anticipated that the air requirement will increase as a result of system expansions, then the compressor air supply section should be designed larger, since subsequent expansion is associated with high costs.

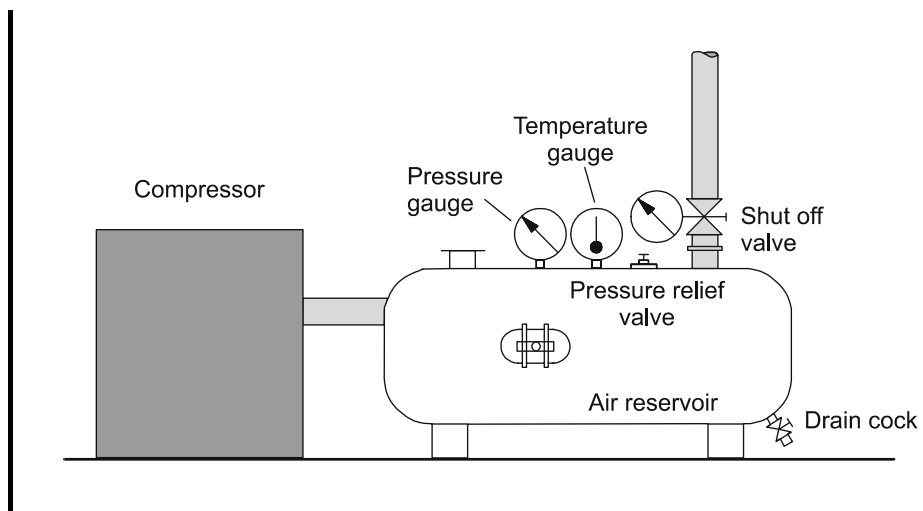
Duty cycle

2.3 Reservoirs

A reservoir is configured downstream of a compressor to stabilise compressed air. A reservoir compensates the pressure fluctuations when the compressed air is taken from the system. If the pressure in the reservoir drops below a certain value, the compressor will compensate until the set higher value is reached again. This has the advantage that the compressor does not need to operate continuously.

The large surface area of the reservoir cools the air. Thus, a portion of the moisture in the air is separated directly from the reservoir as water, which has to be regularly drained via a drain cock.

Fig. 2.2
Reservoir

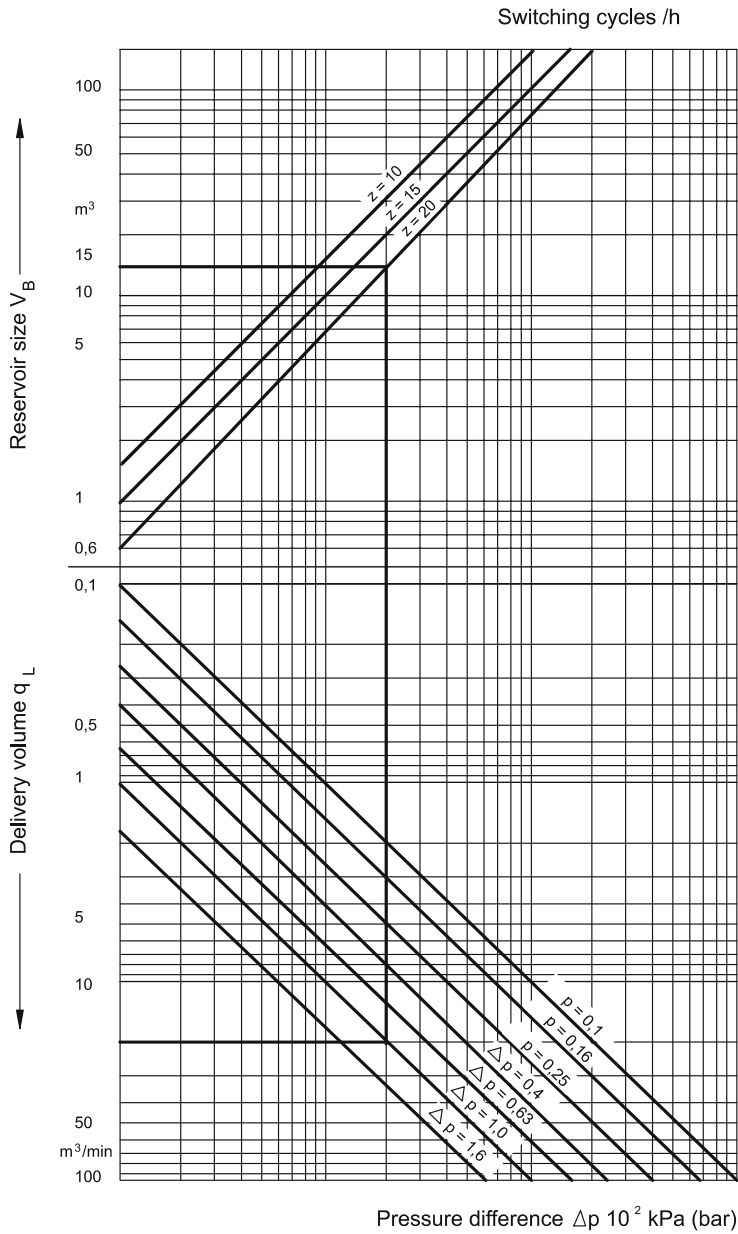


The size of a compressed air reservoir depends on the:

- Delivery volume of the compressor
- Air consumption for the applications
- Network size (any additional requirements)
- Type of compressor cycle regulation
- Permissible pressure drop in the supply network

Volume of reservoir

Fig. 2.3
Diagram: Determining the volume of a reservoir



Delivery volume	$q_L = 20 \text{ m}^3/\text{min}$	<i>Example</i>
Switching cycles per hour	$z = 20 \text{ 1/h}$	
Differential pressure	$\Delta p = 100 \text{ kPa (1 bar)}$	
Result:	Reservoir size $V_B = 15 \text{ m}^3$ (refer to the chart)	

2.4 Air dryers

Condensate (water) enters into the air network through the air intake of the compressor. The accumulation of condensate depends largely on the relative air humidity. The relative air humidity is dependent on the air temperature and the weather situation.

The absolute humidity is the mass of water vapour, actually contained in one m³ of air. The saturation quantity is the mass of water vapour, which one m³ of air can absorb at the respective temperature.

The following formula applies if the relative air humidity is specified in percent:

$$\text{Relative humidity} = \frac{\text{absolute humidity}}{\text{saturation quantity}} \cdot 100\%$$

Since the saturation quantity is dependent on temperature, the relative humidity changes with the temperature, even if the absolute humidity remains constant. If the dew point is reached, the relative humidity increases to 100%.

Dew point The dew point temperature is the temperature at which relative humidity is 100%. The lower the dew point the more the water will condense and reduce the amount entrapped in the air.

The service life of pneumatic systems is considerably reduced if excessive moisture is carried through the air system to the components. Therefore it is important to fit the necessary air drying equipment to reduce the moisture content to a level which suits the application and the components used. There are three auxiliary methods of reducing the moisture content in air:

- Low temperature drying
- Adsorption drying
- Absorption drying

Pressure dew point To be able to compare different types of drying systems, the operating pressure of the system must be taken into account. The term 'pressure dew point' is used in this context. The pressure dew point is the air temperature reached during drying at operating pressure.

The pressure dew point of the dried air should be approx. 2 to 3 °C under the coolest ambient temperature.

The additional cost of installing air drying equipment can be amortised over a short period due to the reduction in maintenance costs, reduced downtime and increased reliability of the system.

The most common type of dryer today is the refrigeration dryer. With refrigerated drying, the compressed air is passed through a heat-exchanger system through which a refrigerant flows. The aim is to reduce the temperature of the air to a dew point which ensures that the water in the air condenses and drops out in the quantity required.

Low temperature drying

The air entering into the refrigeration dryer is pre-cooled in a heat exchanger by the escaping cold air. It is then cooled in the cooling unit to temperatures between + 2 and + 5 °C. The dried compressed air is filtered. Before the compressed air is output into the network, the air is heated to bring the air back to ambient conditions.

Using refrigeration methods, it is possible to achieve dew points of between + 2 and + 5 °C.

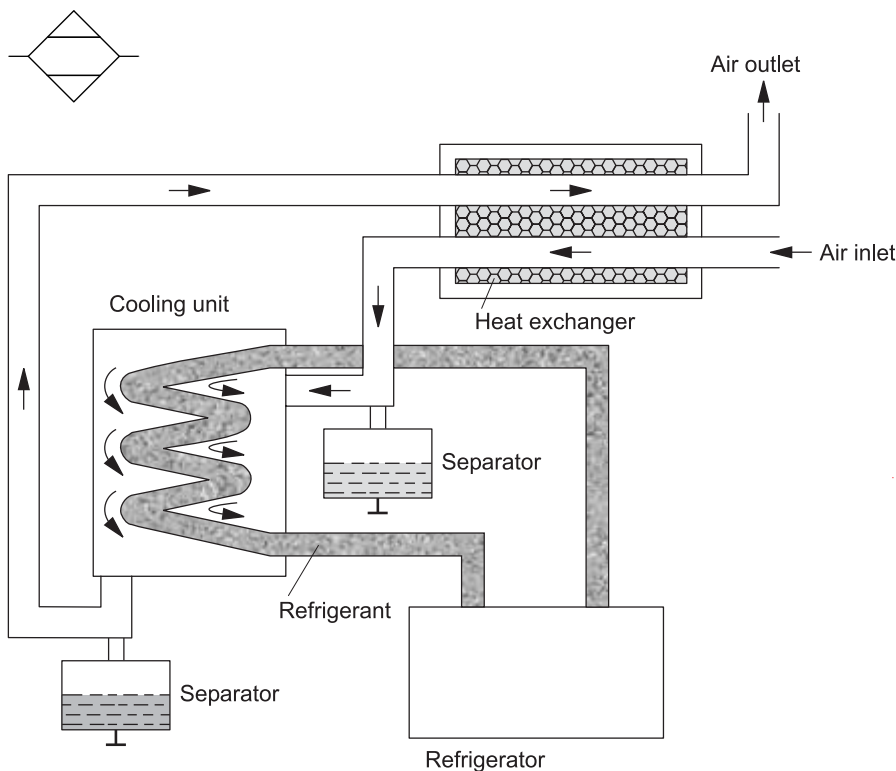


Fig. 2.4
Low temperature drying

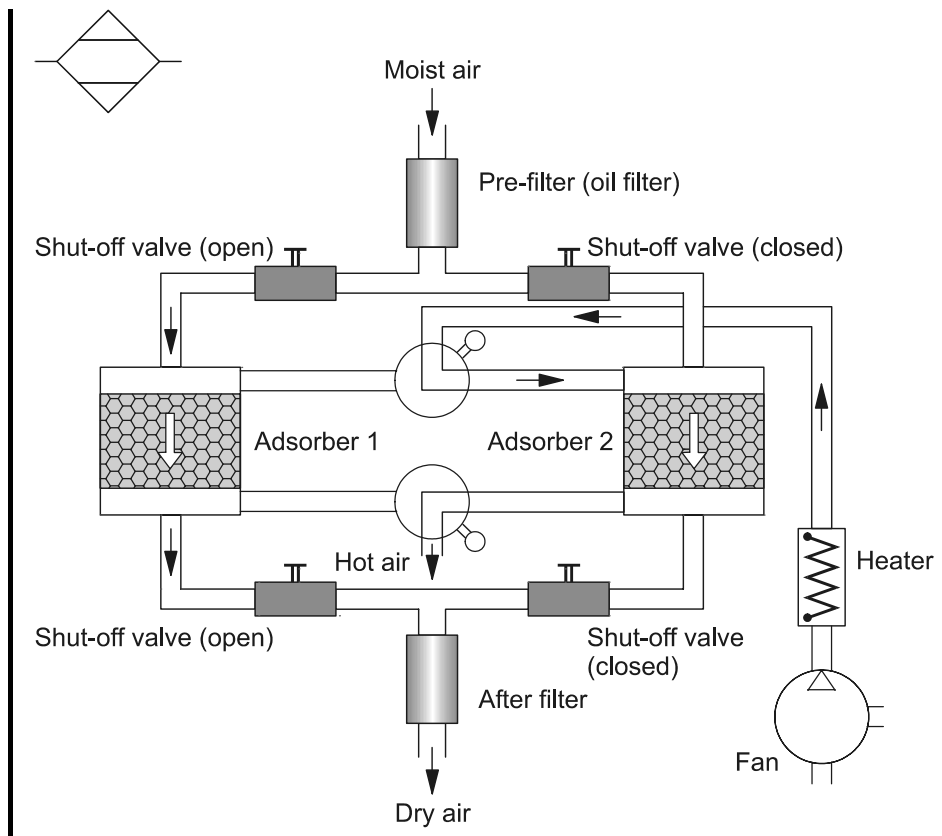
Adsorption dryers Adsorption: water is deposited on the surface of solids.

The drying agent is a granular material (gel) consisting almost entirely of silicon dioxide.

Usually two tanks are used. When the gel in one tank is saturated, the air flow is switched to the dry, second tank and the first tank is regenerated by hot-air drying.

The lowest equivalent dew points (down to $-90\text{ }^{\circ}\text{C}$) can be achieved by means of adsorption drying.

Fig. 2.5
Adsorption dryers



Absorption: A solid or liquid substance bonds a gaseous substance.

Absorption drying is a purely chemical process. Absorption drying is not of major significance in present-day practice, since the operating costs are too high and the efficiency too low for most applications.

Absorption dryers

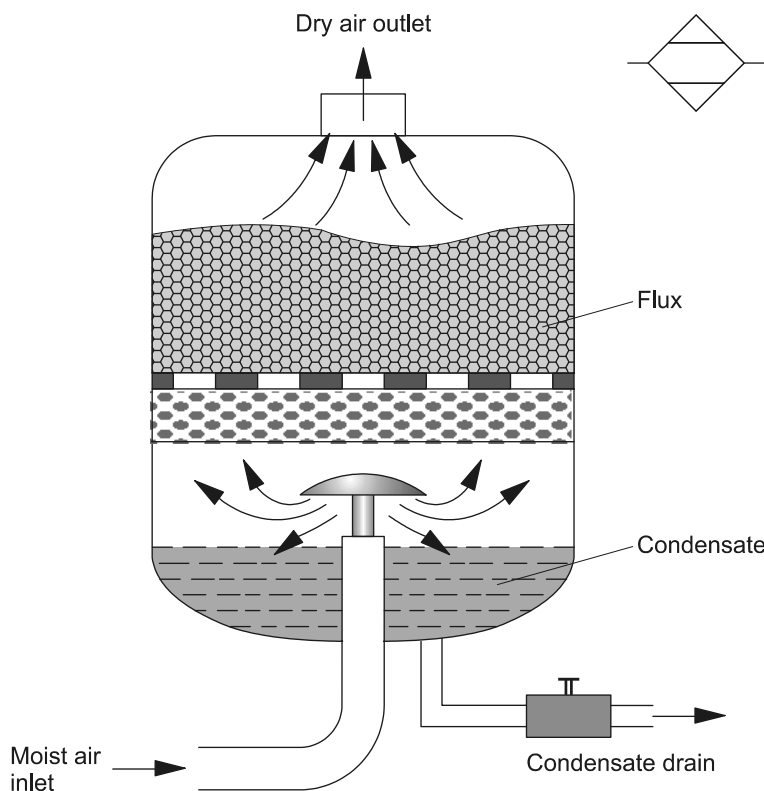


Fig. 2.6
Absorption dryers

Oil vapour and oil particles are also separated in the absorption dryer. The moisture in the compressed air forms a compound with the drying agent in the tank. This causes the drying agent to break down; it is then discharged in the form of a fluid at the base of the tank.

The mixture must be regularly drained and the fluxing agent must be regularly replaced.

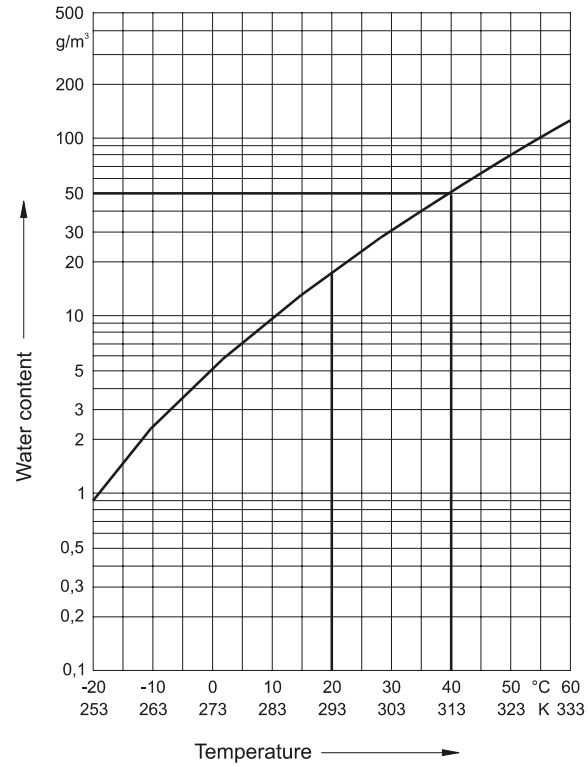
The features of the absorption process are :

- Simple installation of the equipment
- Low mechanical wear because there are no moving parts in the dryer
- No external energy requirements.

A dust filter must be provided downstream of the dryer to catch any entrained fluxing agent dust.

Pressure dew points below 0 °C can be reached.

Fig. 2.7
Dew point chart



Suction capacity	1000 m ³ /h
Absolute pressure	700 kPa (7 bar)
Compressed volume per hour	143 m ³
Suction temperature	293 K (20 °C)
Temperature after compression	313 K (40 °C)
Relative humidity	50%

Example calculation

Quantity of water prior to compression:

The following water content is obtained at 293 K (20 °C):

$$100\% = 17.3 \text{ g/m}^3$$

Therefore 50% = 8.65 g/m³

Results in $8.65 \text{ g/m}^3 \cdot 1000 \text{ m}^3/\text{h} = 8650 \text{ g/h}$

Quantity of water after compression:

The following saturation quantity is obtained at 313 K (40 °C):

$$51.1 \text{ g/m}^3$$

Results in $51.1 \text{ g/m}^3 \cdot 143 \text{ m}^3/\text{h} = 7307 \text{ g/h}$

The separated quantity of water downstream of the compressor is therefore:

$$8650 \text{ g/h} - 7307 \text{ g/h} = 1343 \text{ g/h.}$$

2.5 Air distribution

In order to ensure reliable and trouble-free air distribution, a number of points must be observed. This includes primarily the correct sizing of the pipe system, but also the pipe material, flow resistances, pipe layout and maintenance.

In the case of new installations, allowance should be made in all cases for extension of the compressed-air network. The main line size determined by current requirements should therefore be increased to include an appropriate safety margin. Plugs and shut-off valves allow extension to be carried out easily at a later time.

Sizing pipe systems

Losses occur in all pipes due to flow resistances. Flow resistances are represented by restrictions, bends, branches and fittings. These losses must be made up by the compressor. The pressure drop in the entire network should be as small as possible.

To be able to calculate the pressure drop the total pipe length must be known. For fittings, branches and bends, equivalent pipe lengths are determined. The choice of the correct internal diameter is also dependent on the operating pressure and delivery of the compressor. Selection is best made with the aid of a nomograph.

Flow resistances Any influence or change of direction within the pipe system means interference with the air flow and thus an increase of the flow resistance. This leads to a continuous pressure drop along the pipe system. Since branches, bends, adapters and fittings are required in all compressed-air networks, this pressure drop cannot be avoided but can be considerably reduced by routing pipes favourably, choosing suitable materials and assembling the fittings correctly.

Pipe material The choice of suitable pipe material is determined by the requirements placed on a modern compressed-air network:

- Low pressure losses
- Freedom from leaks
- Resistant to corrosion
- Capability of system expansion.

In selecting a suitable pipe material, consideration must be given not only to price per metre run but also to another major factor, the installation costs. These are lowest with plastics. Plastic pipes can be joined 100% airtight by means of adhesives or fittings and can easily be extended.

Copper, steel and iron pipes have a lower purchase price but must be brazed, welded or joined by means of threaded connectors; if this work is not carried out correctly, swarf, scale, welding particles or sealing materials may be introduced into the system. This may lead to major malfunctions. For small and medium diameters, plastic pipes are superior to other materials as regards price, assembly, maintenance and ease of extension.

Pressure fluctuations in the network make it necessary to ensure that the pipes are mounted securely in order to avoid leakages at screwed and brazed connections.

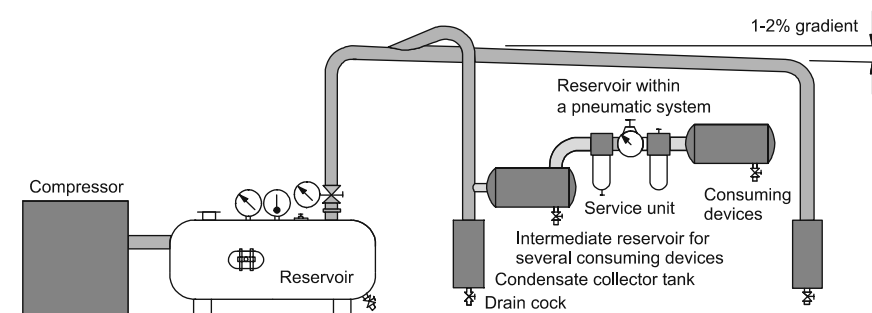


Fig. 2.8
Air supply system

Apart from correct sizing of the piping and the quality of the pipe material, correct pipe layout is the decisive factor in determining the economic operation of the compressed-air system. Compressed air is fed into the system at intervals by the compressor. It is often the case that consumption at consuming devices rises for only a short time. This may lead to unfavourable conditions in the compressed-air network. It is therefore recommended that the compressed-air network should be produced in the form of a ring main. A ring main ensures largely constant pressure conditions.

Piping layout

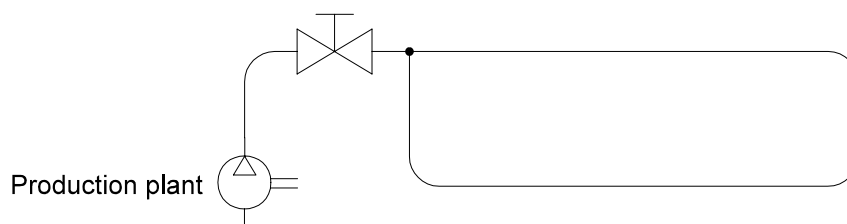
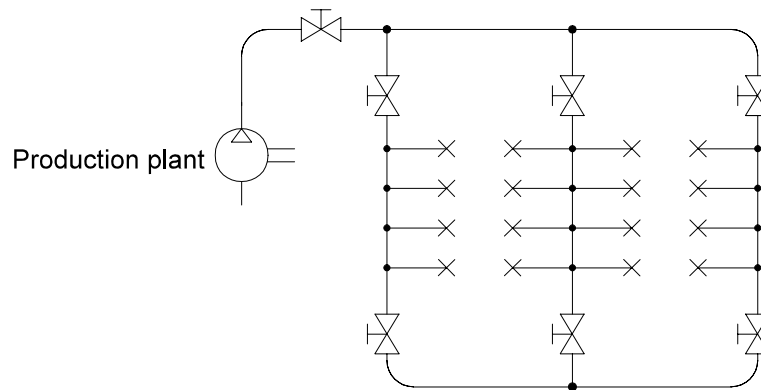


Fig. 2.9
Ring circuit

For ease of maintenance, repair or extension of the network without interfering with the overall air supply, it is advisable to sub-divide the network into individual sections. Branches with T-pieces and manifolds with plug-in couplings make this possible. It is advisable to fit the branch lines with standard ball valves or shut off valves.

Fig. 2.10
Interconnected network



Despite the best water separation in the pressure generating system, pressure drops and external cooling may produce condensate in the pipe system. In order to discharge this condensate, the pipes should be inclined 1-2%; this can also be carried out in stages. The condensate can then be discharged from the system via water separators at the lowest point.

2.6 Service unit

The individual functions of compressed air preparation, i.e. filtering, regulating and lubricating, can be fulfilled by individual components. These functions have often been combined into one unit, i.e. the service unit. Service units are connected upstream of all pneumatic systems.

Generally, the use of a lubricator is not necessary in advanced systems. This is to be used for specific requirements only, primarily in the power section of a system. Compressed air in a control section should not be lubricated.

Condensed water, contamination and excess oil can lead to wear on the moving parts and seals of pneumatic components. These substances can escape as a result of leakage. Without the use of filters, for example, products to be processed in the food, pharmaceutical or chemical industries could become contaminated and therefore rendered useless.

Compressed air filter

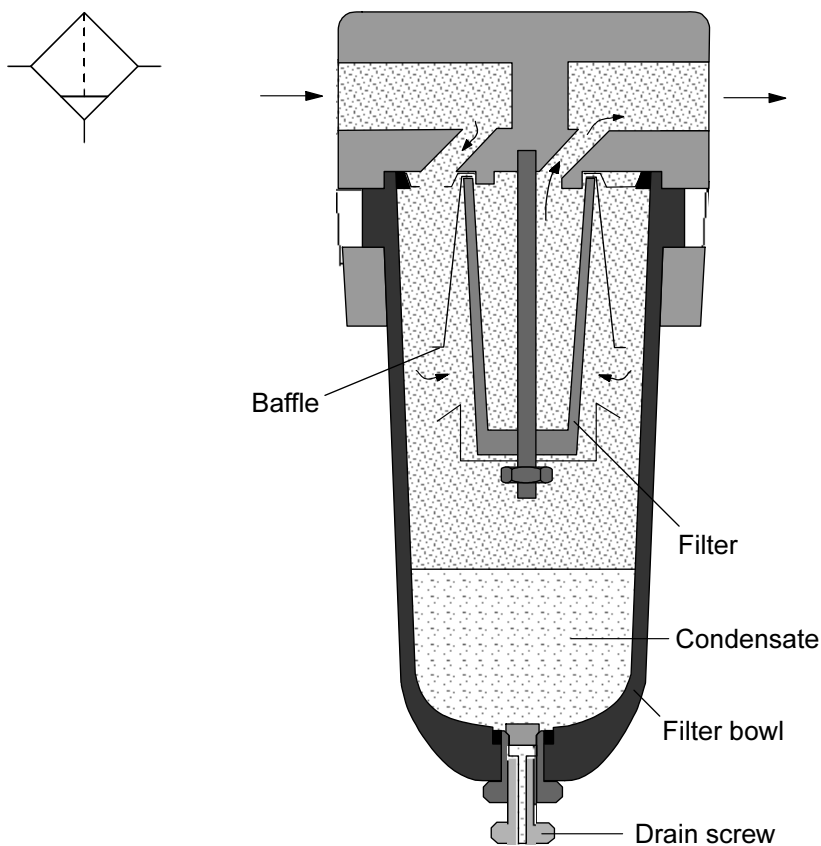


Fig. 2.11
Compressed air filter

The selection of the correct filter plays an important role in determining the quality and performance of the working system which is to be supplied with compressed air. One characteristic of compressed-air filters is the pore size. The pore size of the filter element indicates the minimum particle size which can be filtered out of the compressed air. The collected condensate must be drained before the level exceeds the maximum condensate mark otherwise it will be re-introduced in the air stream.

If a large amount of condensate accumulates, it is advisable to fit an automatic drain in place of the manually operated drain cock. However, in such cases, the cause of the accumulated condensate is to be established. For example, an unsuitable pipe layout may be the cause of the condensate accumulation.

The automatic drain uses a float to determine the level of condensate in the bowl and when the limit is reached a control piston opens a valve seat that ejects the condensate under air pressure via a drain line. If the float reaches the minimum level of condensate, the seat valve is closed and the process stopped. The filter bowl can also be emptied manually.

The compressed air passes through the filter from left to right and is fed through a baffle plate in the filter bowl. The effect of the baffle plate is that the air is caused to rotate, and the heavier dust particles and water droplets are spun by centrifugal force against the inner wall of the filter bowl. They then run down the wall of the housing and collect in the filter bowl. The air which has been pre-cleaned in this way then passes through the filter element, which filters out the smaller dirt particles. The filter element in this case consists of a highly-porous sintered material. The degree of separation depends on the pore size of the filter element used. Inserts with different pore sizes are available. The usual pore sizes are between 5 microns and 40 microns.

A further important characteristic of compressed-air filters is the degree of separation, or efficiency, which indicates the percentage of particles of a particular size which can be separated out. The efficiency is quoted for a particle size, e.g. efficiency of 99.99% for 5 microns. With micro filters, 99,999% of particles greater than 0.01 μm can be filtered.

The filtration action of a compressed-air filter is retained, even after long service and with heavy contamination. However, under these conditions, the pressure drop becomes disproportionately high and the filter becomes an energy-waster.

In order to recognise the correct time to change the filter element, a visual inspection or a measurement of the pressure difference across the filter should be carried out.

Depending on the nature of the compressed air available, the air consumption of the components and the filter size, compressed-air filters require a greater or lesser amount of maintenance work. Maintenance work means the following :

- Replacing or cleaning the filter element
- Draining the condensate

When cleaning is required, the manufacturer's specifications must be observed concerning the cleaning agents to be used.

The compressed air generated by the compressor will fluctuate. Changes in the pressure level in the pipe system can adversely affect the switching characteristics of valves, the running times of cylinders and the timing characteristics of flow control and memory valves.

A constant pressure level is thus a prerequisite for the trouble-free operation of a pneumatic control. In order to provide constant pressure conditions, regulators are fitted in a central position in the compressed air network to ensure that there is a constant supply pressure (secondary pressure) irrespective of the pressure fluctuations in the main loop (primary pressure). The pressure reducer or pressure regulator is fitted downstream of the compressed air filter and has the task of keeping the operating pressure constant, regardless of pressure fluctuations or air consumption in the system. The air pressure should be matched to individual requirements upstream of each plant section.

The system pressure which has proved in practice to be the best economic and technical compromise between compressed-air generation and the efficiency of the components is approximately:

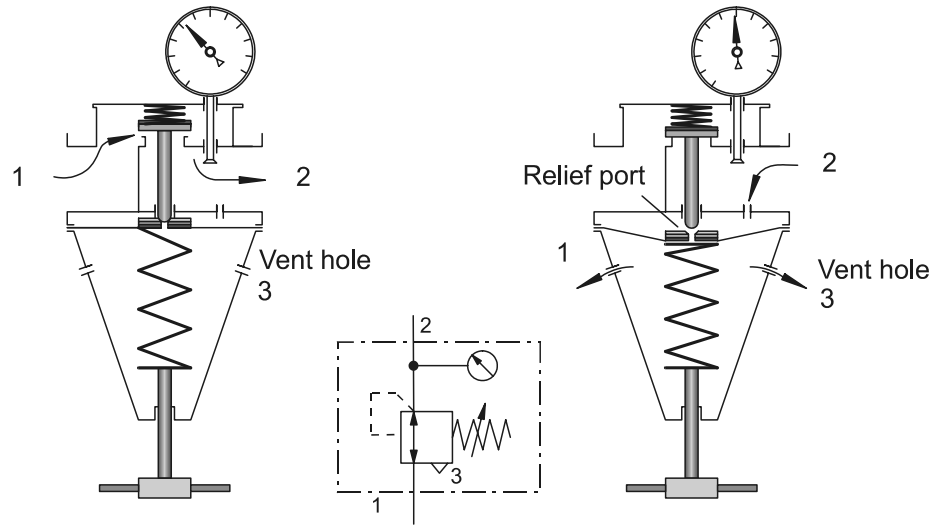
- 600 kPa (6 bar) in the power section and
- 300 to 400 kPa (4 bar) in the control section.

A higher operating pressure would lead to inefficient energy utilisation and increased wear, whereas a lower operating pressure would lead to poor efficiency, particularly in the power section.

Maintenance

*Compressed
air regulators*

Fig. 2.12
Pressure regulator:
relieving



Operational principle

The input pressure (primary pressure) at the pressure regulator must always be higher than the output pressure (secondary pressure). The pressure is regulated by a diaphragm. The output pressure acts on one side of the diaphragm and a spring acts on the other side. The spring force can be adjusted by means of an adjusting screw.

When the output pressure increases for example during cylinder load changes, the diaphragm moves against the spring force causing the outlet cross-sectional area at the valve seat to be reduced or closed entirely. The centrepiece of the diaphragm then opens and the compressed air can flow to atmosphere through the vent holes in the housing.

When the output pressure decreases the spring force opens the valve. Regulation of the preset output pressure is thus a continual opening and closing of the valve seat caused by the flow of air. The operating pressure is indicated on a gauge.

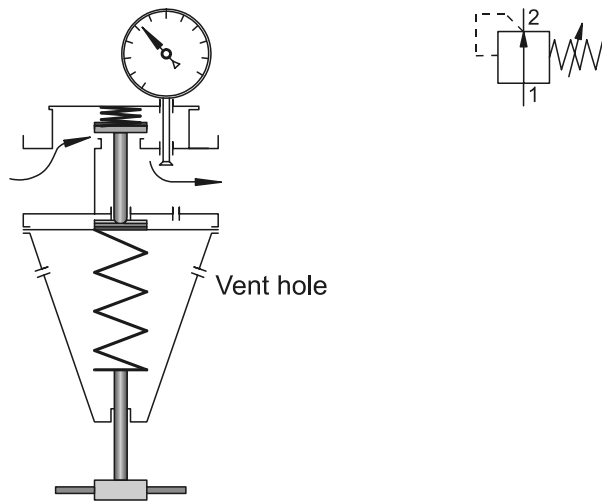


Fig. 2.13
Pressure regulator:
non-relieving

If no air is drawn off on the secondary side, the pressure rises and presses the diaphragm against the compression spring. The outlet cross-sectional area at the valve seat is reduced or closed and the flow of air is reduced or cut off entirely. The compressed air can continue to flow only when air is drawn off on the secondary side.

Operational principle

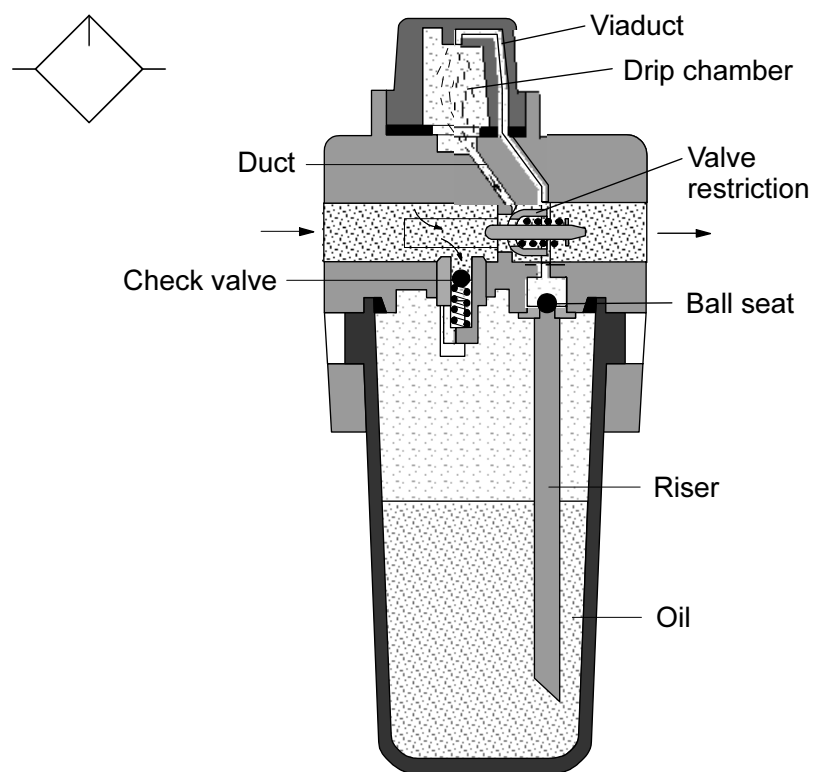
As a rule the compressed air which is generated should be dry, i.e. free of oil. For some components lubricated air is damaging, for others, it is undesirable, but for power components it may in certain cases be necessary. Lubrication of the compressed air should therefore always be limited to the plant sections which require lubrication. For this purpose, mist lubricators are fitted to feed the compressed air with specially selected oils. Oils which are introduced into the air from the compressor are not suitable for the lubrication of control system components.

Compressed air lubricator

As a general principle cylinders with heat-resistant seals must not be supplied with lubricated compressed air, since the special grease which forms the original lubrication would be washed out.

If systems, which have been operated with lubrication, are converted to unlubricated compressed air, the original lubrication of the valves and cylinders must be renewed, since these may have been flushed out in some instances.

Fig. 2.14
Lubricator



Lubrication of the compressed air by means of mist lubricators may be necessary in certain cases:

- Where extremely rapid oscillating motions are required
- With cylinders of large diameter, lubricators should where possible be installed only directly upstream of the consuming cylinders

The following problems may occur as a result of excessive lubrication:

- Malfunction of components
- Increased environmental problems
- Seizing of components after prolonged downtime

The compressed air passing through the lubricator causes a pressure drop between the oil reservoir and the upper part of the lubricator. The pressure difference is sufficient to force the oil upwards through a duct where it then drips into a nozzle which can be seen through an inspection glass. Here the oil is atomised and taken up by the air stream to a greater or lesser extent.

Operational principle

It is possible to check the oil dosage as follows:

A reference value for oil dosage is a quantity of 1 to 10 droplets per cubic metre of compressed air. The correct metering can be checked as follows: A piece of white cardboard should be held at a distance of approximately 10 cm from the exhaust port of the power valve of the cylinder which is furthest away from the lubricator. If the system is then allowed to operate for some time, it should be possible to see only a pale yellow colour on the cardboard. Dripping oil is a clear sign of over-lubrication.

Checking the oil dosage

Up to a few years ago, the general view was that the oil discharged by the compressor could be used as a lubricant for the power components. Now it has been recognised that this is not the case. As the level of heat produced in the compressor is very high, the oil is carbonised and the oil vapour exhausted. This leads to an abrasive action on cylinders and valves, and service is considerably reduced.

Removing oil

A further problem is that oil is deposited on the inner walls of the pipes and is eventually absorbed in an uncontrolled way into the air flow. This fact alone makes controlled and effective distribution impossible. A pipe which has become contaminated in this way can no longer be cleaned without dismantling. A further disadvantage is gumming, which means that after a system has been at a standstill for some time (after weekends and public holidays), lubricated components do not function correctly.

Lubrication of compressed air should be restricted solely to the system components to be supplied. The best way of supplying oil is to install lubricators directly upstream of the consuming devices. Components with auto-lubrication should be selected for the control section of a pneumatic system.

The basic rule should therefore be: Preparation of compressed air in oil-free form.

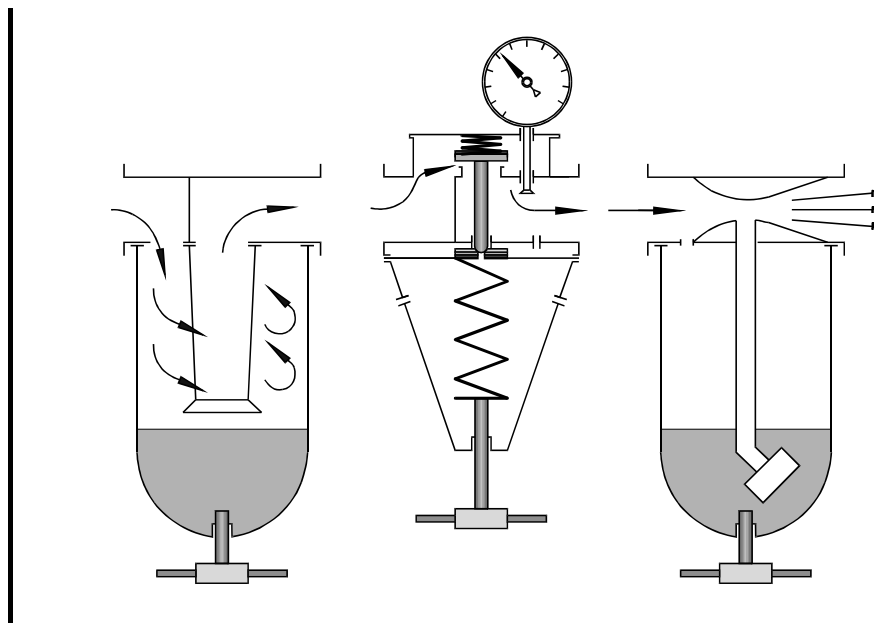
The following points should be observed in everyday practice:

- As far as possible compressor oils should be prevented from entering the compressed-air network (oil separators should be fitted)
- For operation fit components which can also function with non-lubricated compressed air
- Once a system has been operated and run-in with oil, the lubrication must be continued since the original lubrication of the components will have been flushed away by the oil.

Service unit The following should be observed with service units:

- The total air throughput in m^3/h determines the size of the unit. If the air throughput is too high, a large pressure drop occurs in the units. The values specified by the manufacturer should be observed.
- The working pressure may not exceed the value stated on the service unit. The ambient temperature should not exceed $50\text{ }^\circ\text{C}$ (maximum values for plastic bowls).

Fig. 2.15
Service unit:
principle of operation



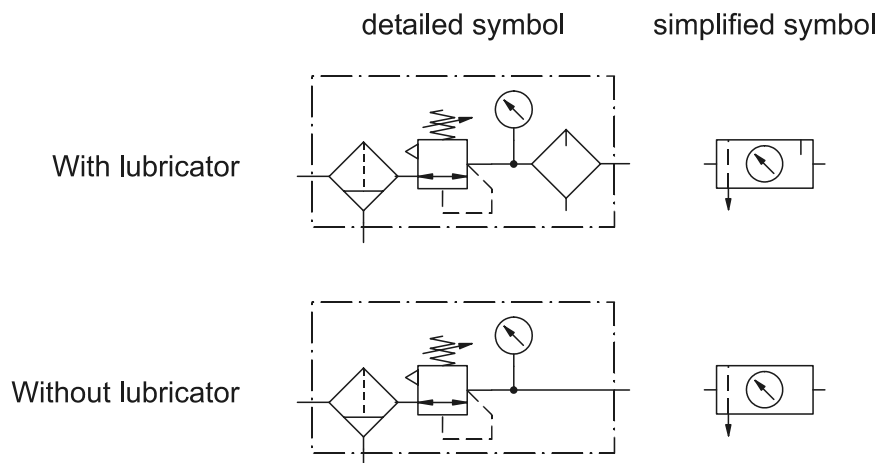


Fig. 2.16
Service unit: symbols

The following routine service measures are necessary on a regular basis.

- **Compressed air filter:**
The condensate level has to be checked regularly, as the level indicated in the sight glass must not be exceeded. If the level is exceeded, this can result in the accumulated condensate being drawn into the air supply lines. The excess condensate can be drained using the drain cock on the sight glass. The filter cartridge must also be checked for contamination and cleaned or replaced if necessary.
- **Compressed air regulator:**
This requires no servicing, provided it is preceded by a compressed air filter.
- **Compressed air lubricator:**
If fitted check the oil level in the sight glass and top up, if necessary, to the level indicated. The plastic filter and lubricator bowl must not be cleaned with trichloroethylene. Only mineral oils may be used for the lubricator.

*Maintenance of
air service units*

Chapter 3

Actuators and output devices

An actuator is an output device for the conversion of supply energy into useful work. The output signal is controlled by the control system, and the actuator responds to the control signals via the control element. Other types of output devices are used to indicate the status of the control system or actuators, e.g. a pneumatically actuated visual display.

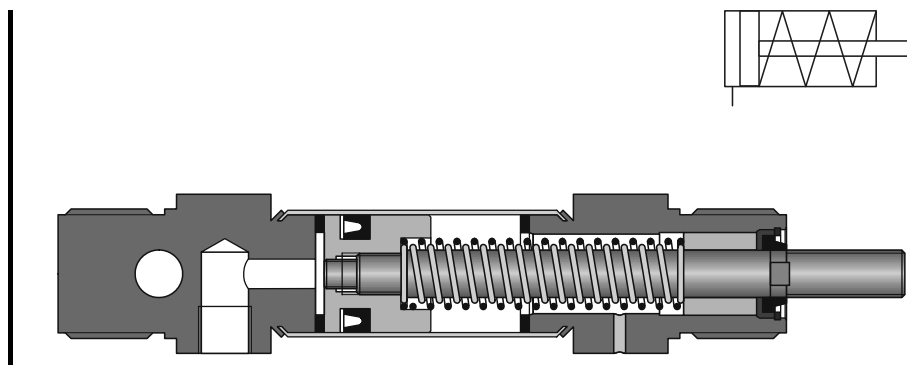
The pneumatic actuator can be described under two groups, linear and rotary :

- Linear motion
 - Single-acting cylinders
 - Double-acting cylinders
- Rotary motion
 - Air motor
 - Rotary cylinders
 - Rotary actuator

3.1 Single-acting cylinders

With single-acting cylinders compressed air is applied on only one side of the piston face. The other side is open to atmosphere. The cylinder can produce work in only one direction. The return movement of the piston is effected by a built-in spring or by the application of an external force. The spring force of the built-in spring is designed to return the piston to its start position with a reasonably high speed under no load conditions.

Fig. 3.1
Single-acting cylinder



For single-acting cylinders with built-in spring, the stroke is limited by the natural length of the spring. Single-acting cylinders are therefore only available in stroke lengths of up to approximately 80 mm.

The construction and simplicity of operation of the single-acting cylinder makes it particularly suitable for compact, short stroke length cylinders for the following types of applications:

- Transferring
- Branching
- Converging
- Allocating
- Clamping
- Ejecting

The single-acting cylinder has a single piston seal which is fitted on the air supply side. Sealing is by a flexible material that is embedded in a metal or plastic piston (Perbunan). During motion, the sealing edges slide over the cylinder bearing surface.

Construction

There are varying designs of single-acting cylinders including:

- Diaphragm cylinder
- Rolling diaphragm cylinder

With a diaphragm cylinder, a built-in diaphragm made of rubber, plastic or metal performs the task of the piston. The piston rod is mounted centrally on the diaphragm. There is no sliding seal, but merely friction as a result of the tensile stress of the diaphragm. They are used in short stroke applications, for clamping, embossing and lifting operations.

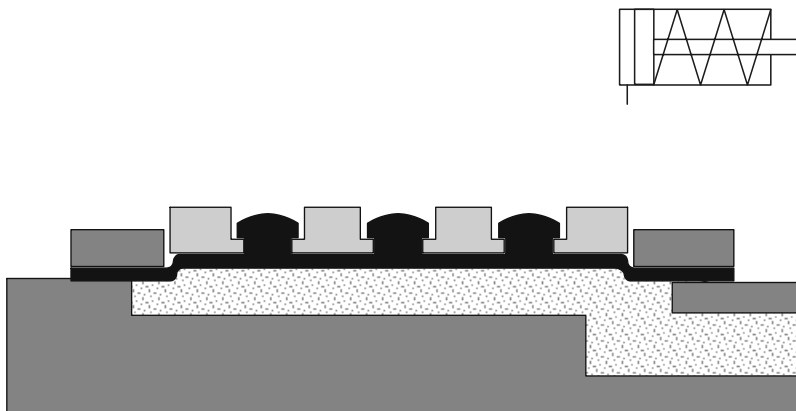
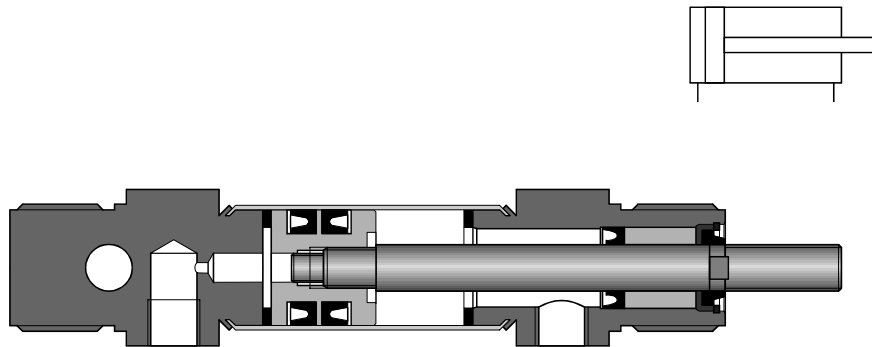


Fig. 3.2
Diaphragm cylinder

3.2 Double-acting cylinders

Fig. 3.3
Double-acting cylinder



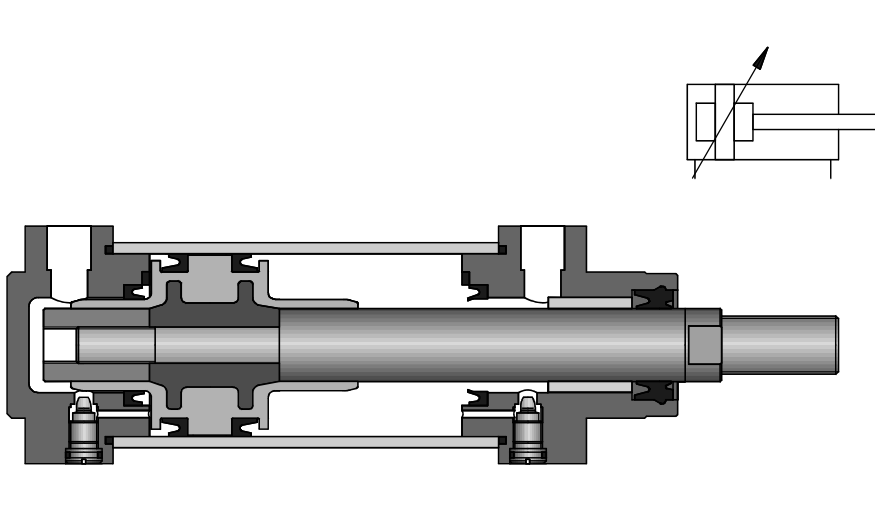
The construction principle of a double-acting cylinder is similar to that of the single-acting cylinder. However, there is no return spring, and the two ports are used alternatively as supply and exhaust ports. The double-acting cylinder has the advantage that the cylinder is able to carry out work in both directions of motion. Thus, installation possibilities are universal. The force transferred by the piston rod is somewhat greater for the forward stroke than for the return stroke as the effective piston surface is reduced on the piston rod side by the cross-sectional area of the piston rod.

Design development Pneumatic cylinders have developed in the following directions:

- Contactless sensing requirements - hence the use of magnets on pistons for reed switch operation
- Stopping heavy loads
- Rodless cylinders where space is limited
- Alternative manufacturing materials such as plastic
- Protective coatings against harsh environments, i.e. acid-resistant
- Increased load carrying capacity
- Robotic applications with special features such as non-rotating piston rods, hollow piston rods for vacuum suction cups

If large masses are moved by a cylinder, cushioning is used in the end positions to prevent sudden damaging impacts. Before reaching the end position, a cushioning piston interrupts the direct flow path of the air to the outside. Instead a very small and often adjustable exhaust aperture is open. For the last part of the stroke the cylinder speed is progressively reduced. If the passage adjustment is too small, the cylinder may not reach the end position due to the blockage of air.

Cylinder with end position cushioning



*Fig. 3.4
Double-acting cylinder with
end position cushioning*

With very large forces and high accelerations extra measures must be taken such as external shock absorbers to assist the load deceleration.

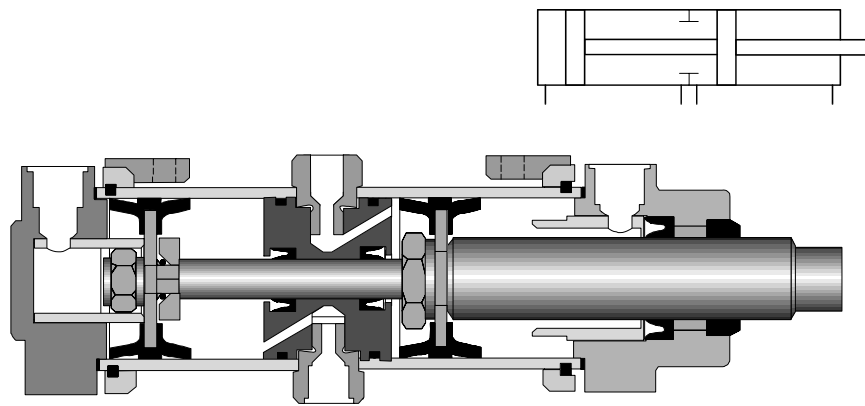
To achieve correct deceleration:

- the regulating screw should first be screwed in fully and
- backed off in order to allow the adjustment to be increased slowly to the optimum value.

Tandem double-acting cylinder

The tandem cylinder incorporates the features of two double-acting cylinders which have been joined to form a single unit. By this arrangement and with the simultaneous loading of both pistons, the force on the piston rod is almost doubled. This design is suitable for such applications where a large force is required but the cylinder diameter is restricted.

Fig. 3.5
Tandem double-acting cylinder

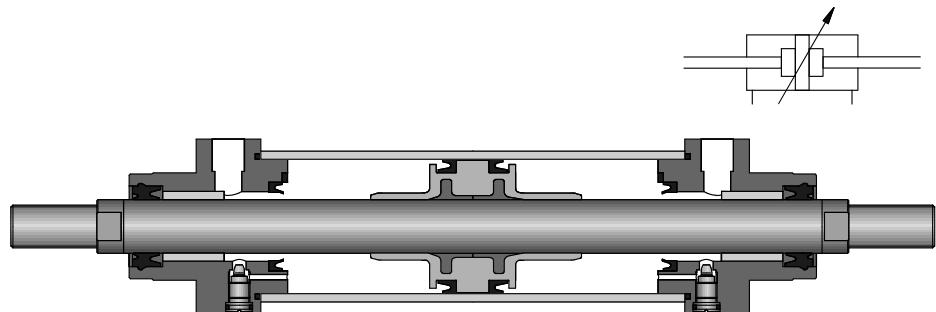


Cylinders with through piston rod

This cylinder has a piston rod on both sides, which is a through piston rod. The guide of the piston rod is better, as there are two bearing points. The force is identical in both directions of movement.

The through piston rod can be hollow, in which case it can be used to conduct various media, such as compressed air. A vacuum connection is also possible.

Fig. 3.6
Cylinders with through piston rod



The multiposition cylinder consists of two or several double-acting cylinders, which are interconnected. The individual cylinders advance when pressure is applied. In the case of two cylinders with different stroke lengths, four positions are obtained.

Multiposition cylinders

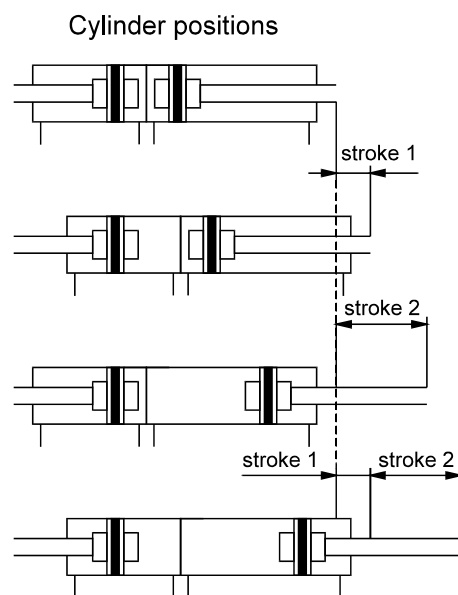


Fig. 3.7
Multiposition cylinders

The pressure forces of pneumatic cylinders are limited. One cylinder for high kinetic energy is the impact cylinder. The high kinetic energy is achieved by means of increasing the piston speed. The piston speed of the impact cylinder is between 7.5 m/s and 10 m/s. However, in the case of large forming distances, the speed is rapidly reduced. The impact cylinder is therefore not suitable for large forming distances.

Impact cylinders

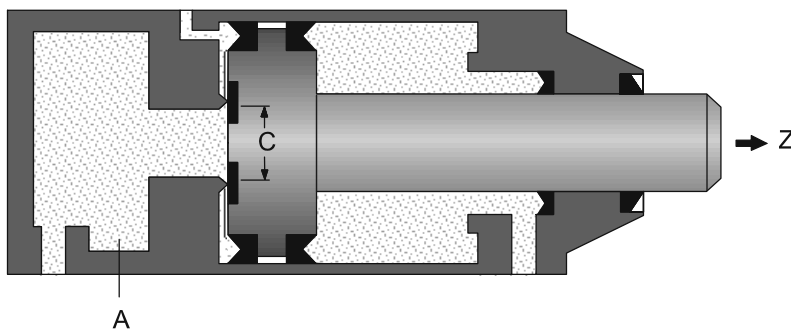
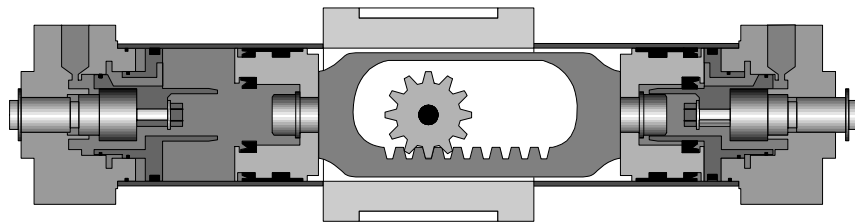


Fig. 3.8
Impact cylinders

Actuation of a valve causes pressure to build up in chamber A. If the cylinder moves in direction Z, the full piston surface is exposed. The air from chamber A is able to flow quickly via the large cross section C. The piston is greatly accelerated.

Rotary cylinders With this design of double-acting cylinder, the piston rod has a gear-tooth profile. The piston rod drives a gear wheel, and a rotary movement results from a linear movement. The range of rotation varies from 45° , 90° , 180° , 270° to 360° . The torque is dependent on pressure, piston surface and gear ratio; values of roughly up to 150 Nm are possible.

Fig. 3.9
Rotary cylinders



With a rotary actuator, force is transmitted direct to the drive shaft via a vane. Angular displacement is infinitely adjustable from 0° to approx. 180° . Torque should not exceed 10 Nm.

Rotary actuator



*Fig. 3.10
Rotary actuator*

Design features of pneumatic rotary actuators:

- Small and robust
- Available with contactless sensing
- Adjustable for angular displacement
- Easy to install

3.3 Rodless cylinders

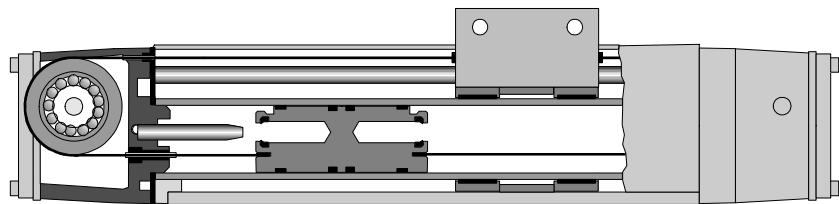
Three different operational principles are used for the construction of rodless cylinders:

- Band or cable cylinder
- Sealing band cylinder with slotted cylinder barrel
- Cylinder with magnetically coupled slide

Compared with conventional double-acting cylinders, rodless cylinders are shorter in length. This eliminates the risk of a buckling piston rod and movement can take place over the entire stroke length. The cylinder design can be used for extremely large cylinder lengths of up to 10 m. Devices, loads etc, can be attached directly to the mounting surface provided for this on a carriage or outer slide. The force is identical in both directions of movement.

Band cylinder In the case of band cylinders, the piston force is transferred to a slide via a circulating band. When leaving the piston chamber, the band passes through a seal. In the cylinder caps, the band is reversed via guide rollers. Wipers ensure that no contamination reaches the guide rollers via the band.

Fig. 3.11
Band cylinder



With this type, the cylinder barrel is provided with a slot across the entire length. The force is transmitted via a slide permanently connected to the piston. The connection from piston to slide is directed outwards via the slotted cylinder barrel. The slot is sealed by means of a sealing band, which seals the inside of the slot. The sealing band is guided between the piston seals and passed under the slide. A second cover strip covers the slot from the outside in order to prevent the ingress of dirt.

Sealing band cylinder

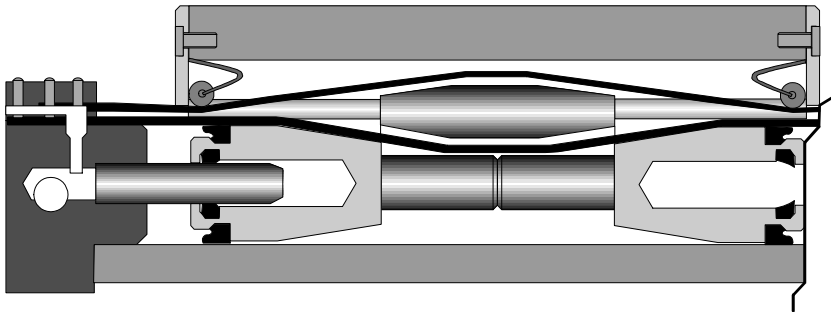
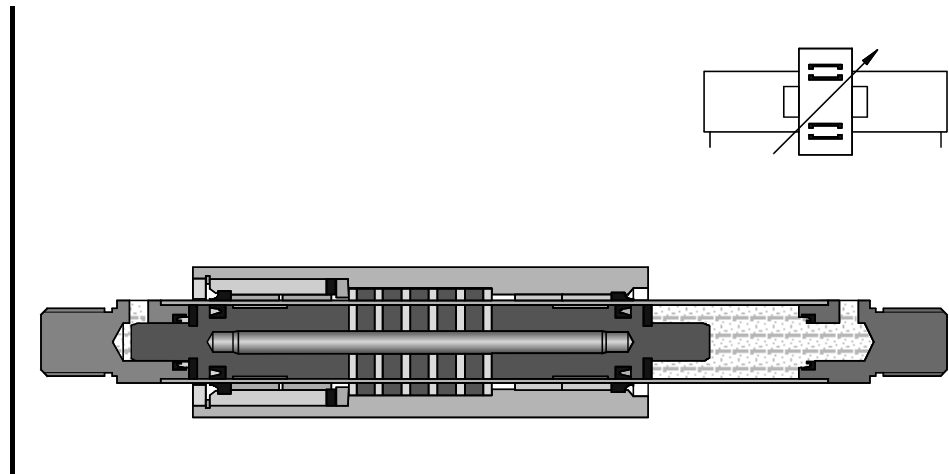


Fig. 3.12
Sealing band cylinder

*Cylinder with
magnetic coupling*

This double-acting pneumatic linear actuator (rodless cylinder) consists of a cylindrical barrel, a piston and 2 slide. The piston in the cylinder is freely movable according to pneumatic actuation, but there is no positive external connection. The piston and the slide are fitted with a set of annular permanent magnets. Thus, a magnetic coupling is produced between slide and piston. As soon as the piston is moved by compressed air the slide moves synchronously with it. The cylinder barrel is hermetically sealed from the outer slide since there is no mechanical connection. There are no leakage losses.

Fig. 3.13
*Cylinder with
magnetic coupling*



3.4 Cylinder construction

The cylinder consists of a cylinder barrel, bearing and end cap, piston with seal (double-cup packing), piston rod, bearing bush, scraper ring, connecting parts and seals.

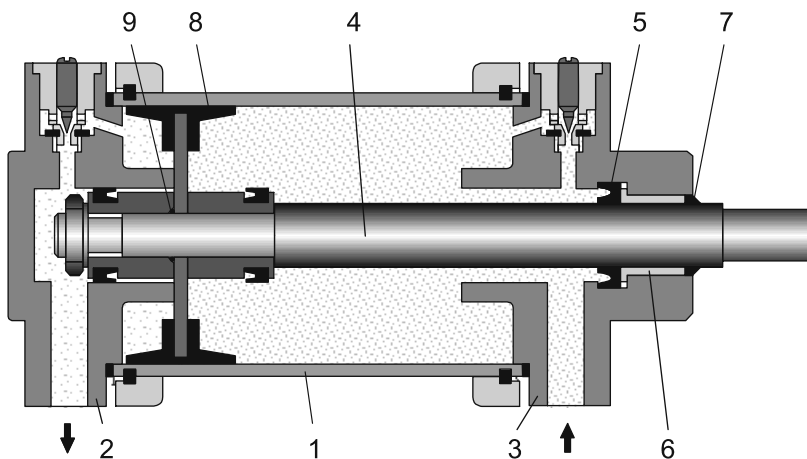


Fig. 3.14
Design of a pneumatic
cylinder with end position
cushioning

The cylinder barrel (1) is usually made of seamless drawn steel tube. To increase the life of the sealing components, the bearing surfaces of the cylinder barrel are precision-machined. For special applications, the cylinder barrel can be made of aluminium, brass or steel tube with hard-chromed bearing surface. These special designs are used where operation is infrequent or where there are corrosive influences.

The end cap (2) and the bearing cap (3) are, for the most part, made of cast material (aluminium or malleable cast iron). The two caps can be fastened to the cylinder barrel by tie rods, threads or flanges.

The piston rod (4) is preferably made from heat-treated steel. A certain percentage of chrome in the steel protects against rusting. Generally the threads are rolled to reduce the danger of fracture.

A sealing ring (5) is fitted in the bearing cap to seal the piston rod. The bearing bush (6) guides the piston rod and may be made of sintered bronze or plastic-coated metal.

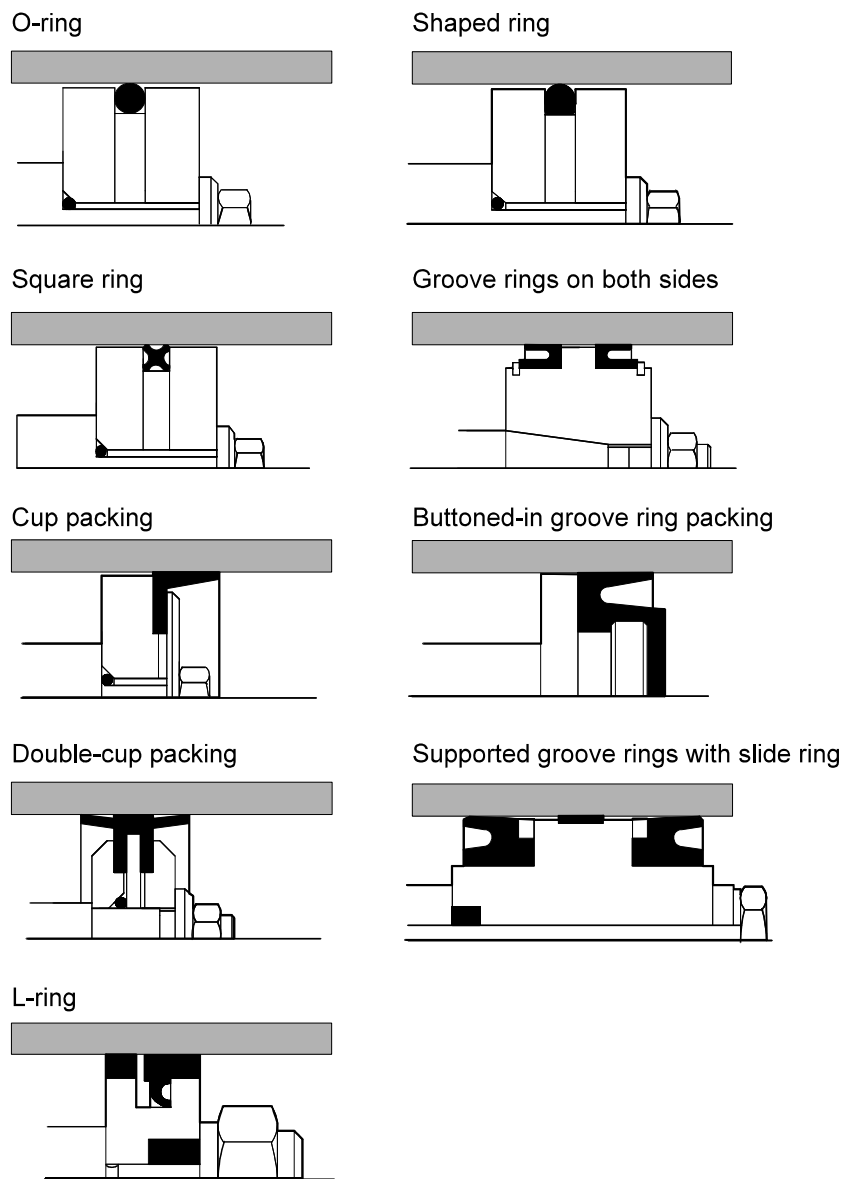
In front of this bearing bush is a scraper ring (7). It prevents dust and dirt particles from entering the cylinder space. Bellows are therefore not normally required.

The materials for the double-cup packing seals (8) are:

Perbunan	for - 20 °C	to	+ 80 °C
Viton	for - 20 °C	to	+ 150 °C
Teflon	for - 80 °C	to	+ 200 °C

O-rings (9) are normally used for static sealing.

Fig. 3.15
Cylinder seals



The type of mounting is determined by the manner in which the cylinder is to be fitted to a machine or fixture. The cylinder can be designed with a permanent type of mounting if it does not have to be altered at any time. Alternatively, the cylinder can utilise adjustable types of mounting which can be altered at a later date by using suitable accessories on the modular construction principle. This results in considerable simplification in storage, especially where a large number of pneumatic cylinders are used as only the basic cylinder and optional mounting parts need to be stored.

Mounting

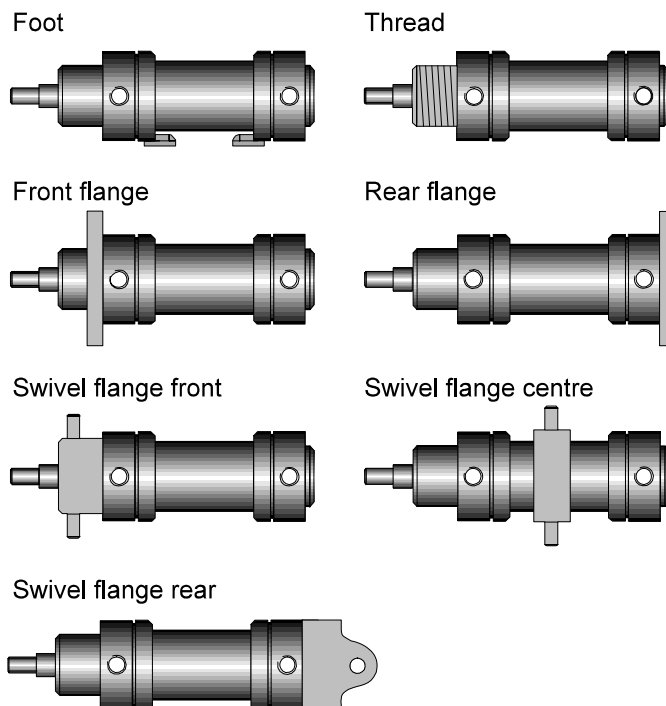


Fig. 3.16
Mounting arrangements
for cylinders

The cylinder mounting and the piston rod coupling must be matched carefully to the relevant application since cylinders must be loaded only in the axial direction.

As soon as force is transmitted to a machine, stresses occur at the cylinder. If shaft mismatching and misalignments are present, bearing stresses at the cylinder barrel and piston rod can also be expected. The consequences are :

- High edge pressures on the cylinder bearing bushes leading to increased wear
- High edge pressures on the piston rod guide bearings
- Increased and uneven stresses on piston rod seals and piston seals.
- With large cylinder strokes, the buckling load of the piston rod should be observed

3.5 Cylinder performance characteristics

Cylinder performance characteristics can be determined theoretically or by the use of manufacturer's data. Both methods are acceptable, but in general the manufacturer's data is more relevant to a particular design and application.

Piston force The piston force exerted by the cylinder is dependent upon the air pressure, the cylinder diameter and the frictional resistance of the sealing components. The theoretical piston force is calculated by the formula:

$$\begin{aligned}
 F_{\text{th}} &= A \cdot p \\
 F_{\text{th}} &= \text{Theoretical piston Force (N)} \\
 A &= \text{Useful piston Area (m}^2\text{)} \\
 p &= \text{Operating Pressure (Pa)}
 \end{aligned}$$

In practice, the effective piston force is significant. When calculating this, frictional resistance should be taken into consideration. Under normal operating conditions (pressure range of 400 to 800 kPa / 4 to 8 bar) frictional force of approx. 10% of the theoretical piston force can be assumed.

Single-acting cylinder

$$F_{\text{eff}} = (A \cdot p) - (F_R + F_F)$$

Double-acting cylinders

Forward stroke $F_{\text{eff}} = (A \cdot p) - F_R$
 Return stroke $F_{\text{eff}} = (A' \cdot p) - F_R$

F_{eff} = effective piston force (N)
 A = useful piston surface (m²)
 $= \frac{D^2 \cdot \pi}{4}$
 A' = useful annular surface (m²)
 $= \frac{(D^2 - d^2) \cdot \pi}{4}$

p = Working pressure (Pa)
 F_R = Frictional force (approx. 10 % of F_{th}) (N)
 F_F = Return spring force (N)
 D = Cylinder diameter (m)
 d = Piston rod diameter (m).

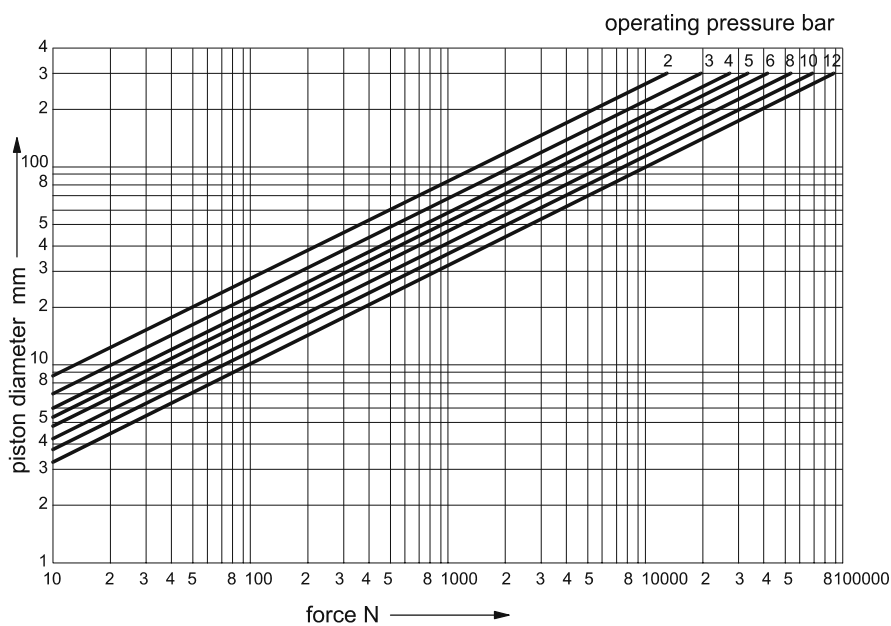
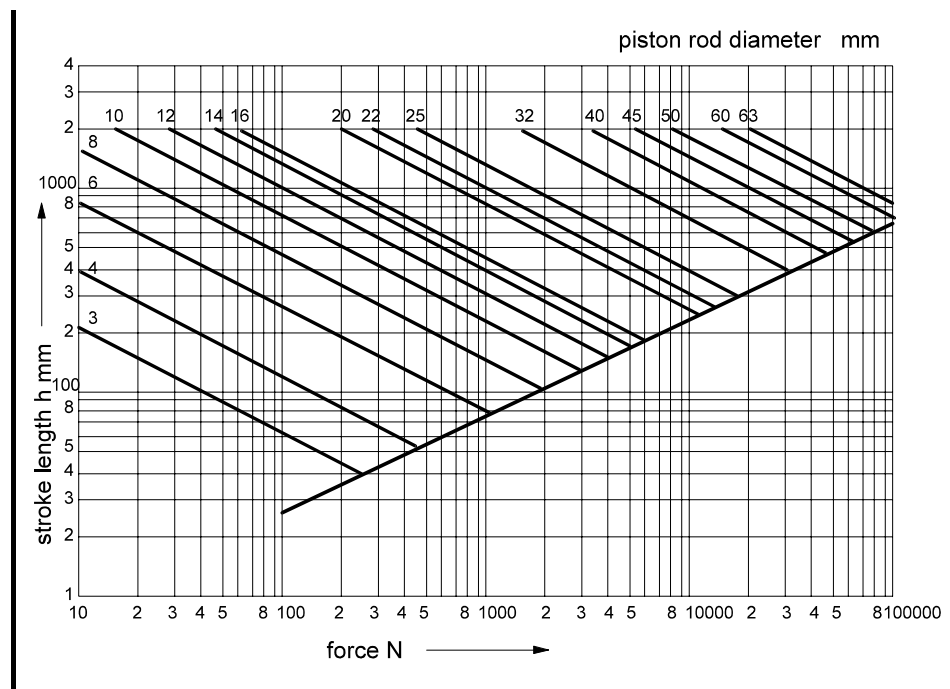


Fig. 3.17
 Pressure vs. force
 diagram

Stroke length The stroke lengths of pneumatic cylinders should not be greater than 2 m and for rodless cylinders 10 m.

With excessive stroke lengths the mechanical stress on the piston rod and on the guide bearings would be too great. To avoid the danger of buckling, the buckling diagram should be observed with large stroke lengths.

Fig. 3.18
Buckling diagram



The piston speed of pneumatic cylinders is dependent on the load, the prevailing air pressure, the length of pipe, the cross-sectional area of the line between the control element and the working element and also the flow rate through the control element. In addition, the speed is influenced by the end position cushioning.

Piston speed

The average piston speed of standard cylinders is about 0.1-1.5 m/sec. With special cylinders (impact cylinders), speeds of up to 10 m/sec are attained. The piston speed can be regulated by one way flow control valves and speed increased by the use of quick exhaust valves.

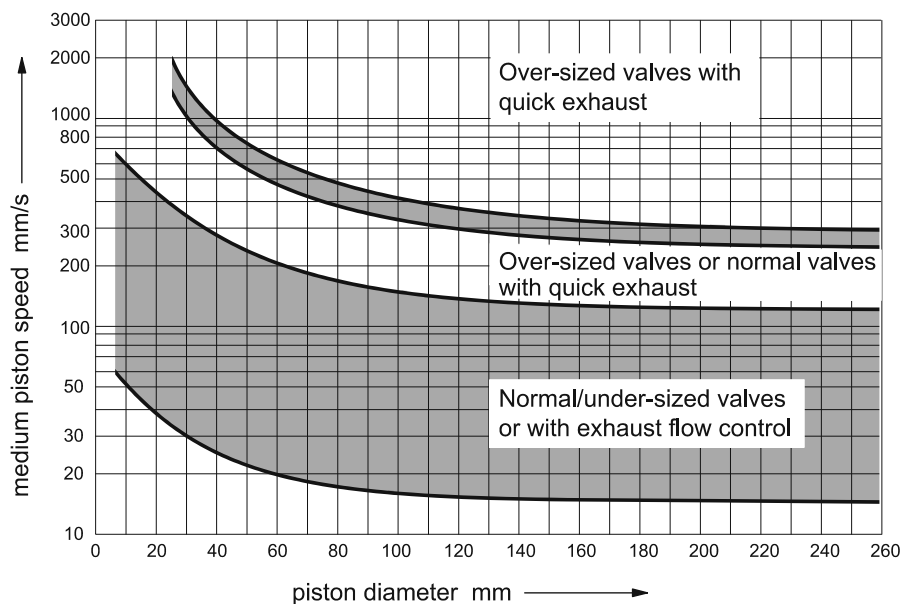


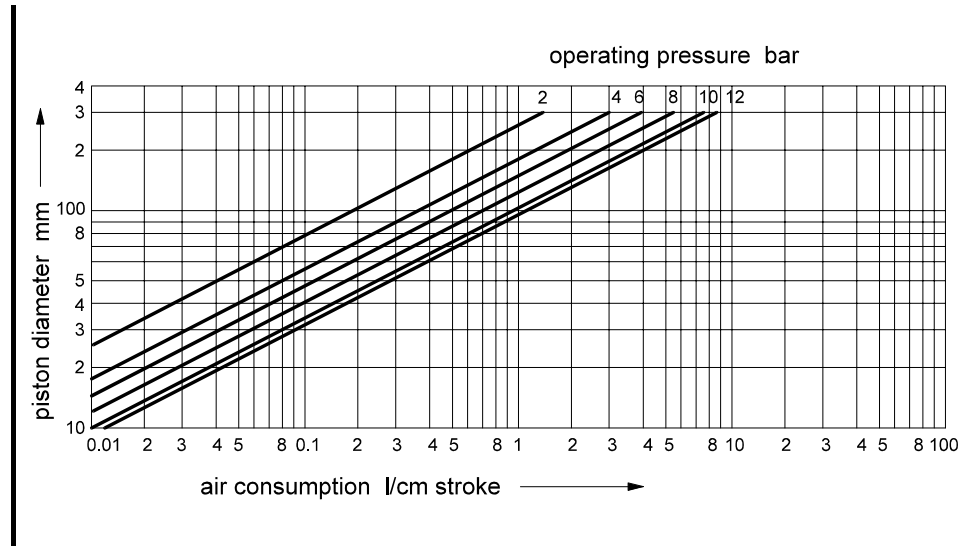
Fig. 3.19
Average piston speed

Air consumption For the preparation of the air, and to obtain facts concerning power costs, it is important to know the air consumption of the system. The air consumption is specified in litres of air drawn in per minute. For a particular operating pressure, piston diameter, stroke and stroke number, the air consumption is calculated by:

$$\text{Air consumption} = \text{Compression ratio} \cdot \text{Piston surface} \cdot \text{Stroke} \cdot \text{Stroke number per minute}$$

$$\text{Compression ratio} = \frac{101.3 + \text{Operating pressure (in kPa)}}{101.3}$$

Fig. 3.20
Air consumption chart



The formulae for the calculation of air consumption in accordance with the air consumption diagram are as follows:

for single-acting cylinders

$$q_B = s \cdot n \cdot q_H$$

for double-acting cylinders

$$q_B = 2 \cdot s \cdot n \cdot q_H$$

$$q_B = \text{Air consumption (l/min)}$$

$$s = \text{Stroke (cm)}$$

$$n = \text{Number of strokes per minute (1/min)}$$

$$q_H = \text{Air consumption per cm of stroke (l/cm)}$$

With these formulae, the varying air consumption of double-acting cylinders during forward and return stroke are not taken into consideration. This can be disregarded due to the different tolerances in lines and valves.

The overall air consumption of a cylinder also includes the filling of dead zones. The air consumption required to fill dead zones can be up to 20% of the air consumption. Dead zones of a cylinder are compressed air supply lines in the cylinder itself and not zones in the end positions of the piston which are effective for the stroke.

<i>Piston diameter in mm</i>	<i>Cover side in cm³</i>	<i>Base side in cm³</i>	<i>Piston diameter in mm</i>	<i>Cover side in cm³</i>	<i>Base side in cm³</i>
12	1	0.5	70	27	31
16	1	1.2	100	80	88
25	5	6	140	128	150
35	10	13	200	425	448
50	16	19	250	2005	2337

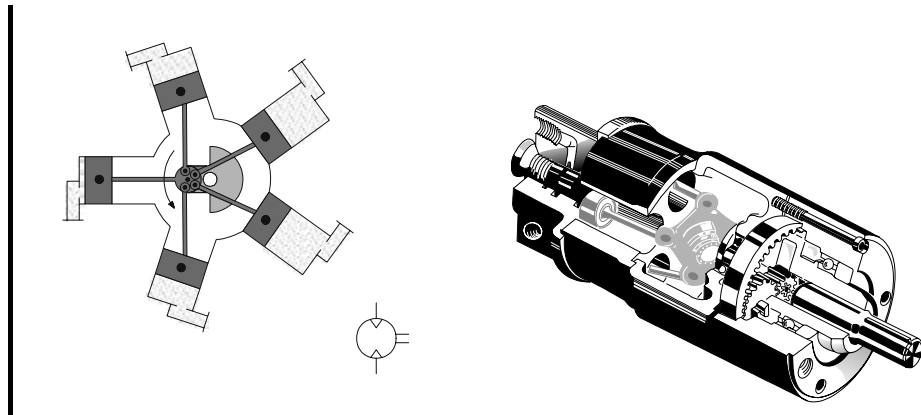
T 3.1
Dead zones of cylinders
(1000 cm³ = 1l)

3.6 Motors

Devices which transform pneumatic energy into mechanical rotary movement with the possibility of continuous motion are known as pneumatic motors. The pneumatic motor with unlimited angle of rotation has become one of the most widely used working elements operating on compressed air. Pneumatic motors are categorised according to design:

- Piston motors
- Sliding-vane motors
- Gear motors
- Turbines (high flow)

Fig. 3.21
Air motor



Piston motors

This type of design is further subdivided into radial and axial piston motors. The crank shaft of the motor is driven by the compressed air via reciprocating pistons and connecting rods. To ensure smooth running several pistons are required. The power of the motor depends on input pressure, number of pistons, piston area, stroke and piston speed.

The working principle of the axial piston motor is similar to that of the radial piston motor. The force from 5 axially arranged cylinders is converted into a rotary motion via a swash plate. Compressed air is applied to two pistons simultaneously, the balanced torque providing smooth running of the motor.

These pneumatic motors are available in clockwise or anti-clockwise rotation. The maximum speed is around 5000 rpm, the power range at normal pressure being 1.5 - 19 kW (2 - 25 hp).

Because of their simple construction and the low weight, sliding vane motors are used for hand tools.

Sliding vane motors

An eccentric rotor is contained in bearings in a cylindrical chamber. Slots are arranged in the rotor. The vanes are guided in the slots of the rotor and forced outwards against the inner wall of the cylinder by centrifugal force. With other designs, the vanes are moved via springs. This ensures that the individual chambers are sealed. The rotor speed is between 3000 and 8500 rpm. Here too, clockwise or anti-clockwise units are available. Power range 0.1 - 17 kW (0.14 - 24 hp).

In this design, torque is generated by the pressure of the air against the teeth profiles of two meshed gear wheels. One of the gear wheels is secured to the motor shaft. Gear motors are produced with spur or helical gearing. These gear motors are used in applications with a very high power rating (up to 44 kW/60 hp). The direction of rotation is also reversible for these motors.

Gear motors

Turbine motors can be used only where a low power is required. The speed range is very high. For example, the Dentists' air drill operates at 500,000 rpm. The working principle is the reverse of the flow compressor.

*Turbines
(flow motors)*

Characteristics of pneumatic motors are:

- Smooth regulation of speed and torque
- Small size (weight)
- Overload safe
- Insensitive to dust, water, heat, cold
- Explosion proof
- Large speed selection
- Maintenance minimal
- Direction of rotation easily reversed

3.7 Indicators

Optical indicators visually represent the operating status of the pneumatic system and serve as diagnostic aids.

Some of the visual devices are:

- Counters, for displaying counting cycles
- Pressure gauges, to indicate air pressure values
- Timers, with visual indication of time delay
- Optical indicators

Optical indicators With the optical indicators the colour codes represent certain functions in the cycle. The visual indicators are mounted on the control panel to indicate status of control functions and the sequential steps currently active. The colours for visual indicators in accordance with VDE 0113 are:

<i>T 3.2 Optical indicators</i>	<i>Colour</i>	<i>Meaning</i>	<i>Notes</i>
	Red	Immediate danger, alarm	Machine status or situations requiring immediate intervention.
	Yellow	Caution	Change or imminent change of conditions.
	Green	Start, on	Normal operation, safe situation, free entry
	Blue	Special information	Special meaning which cannot be made clear by red, yellow or green.
	White or Clear	General information	Without special meaning. Can also be used in cases where there is doubt as to the suitability of the three colours red, yellow or green.

Chapter 4

Directional control valves

4.1 Configuration and construction

Directional control valves are devices which influence the path taken by an air stream. Normally this involves one or all of the following: opening the passage of air and directing it to particular air lines, cancelling air signals as required by blocking their passage and/or relieving the air to atmosphere via an exhaust port. The directional control valve is characterised by its number of controlled connections or ways, the number of switching positions and the method of actuation. However, these symbols do not provide any information about the constructional design, but merely indicate the function of the valve.

The **normal position** on valves with existing reset, e.g. spring, refers to the switching position assumed by the moving parts of the valve, if the valve is not connected.

The **initial position** is the switching position assumed by the moving parts of a valve after the valve has been installed in a system and the system pressure has been switched on and possibly also the electrical voltage, and with which the designated switching program starts.

The constructional principle of a directional control valve is an important factor as far as the service life, switching time, type of actuation, connection methods and size are concerned.

Designs are categorised as follows:

- Poppet valves:
 - Ball seat valve
 - Disc seat valve
- Slide valves :
 - Longitudinal slide valve (spool valve)
 - Longitudinal flat slide valve
 - Plate slide valve

Poppet valves With poppet valves the connections are opened and closed by means of balls, discs, plates or cones. The valve seats are usually sealed simply using flexible seals. Seat valves have few parts which are subject to wear and hence they have a long service life. They are insensitive to dirt and are robust. The actuating force, however, is relatively high as it is necessary to overcome the force of the built-in reset spring and the air pressure.

Slide valves In slide valves, the individual connections are linked together or closed by means of spools, flat slide or plate slide valves.

4.2 2/2-way valve

The 2/2-way valve has two ports and two positions (open, closed). It is rarely used except as an on-off valve, since its only function is to enable signal flow through and cannot release the air to atmosphere once in the closed position in contrast to the 3/2-way valve. The 2/2-way valve is normally of the ball seat construction.

This valve can be operated either manually, mechanically or pneumatically.

4.3 3/2-way valve

The 3/2-way valve is a signal generating valve, with the characteristic that a signal on the output side of the valve can be generated and also cancelled. The 3/2-way valve has three ports and two positions. The addition of the exhaust port 3 enables the signal generated via the passage through the 3/2-way valve to be cancelled. The valve connects the output signal 2 to exhaust 3 and thus to atmosphere in the initial position. A spring forces a ball against the valve seat preventing the compressed air from flowing from the air connection 1 to the working line 2.

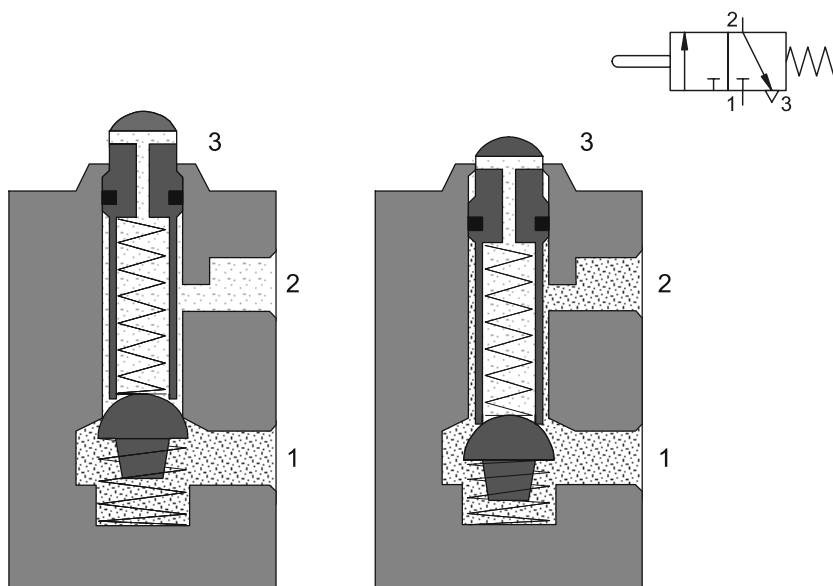
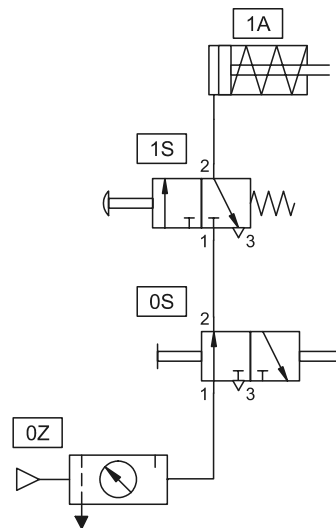


Fig. 4.1
3/2-way valve,
normally closed,
ball seat

Actuation of the valve plunger causes the ball to be forced away from the seat. In doing this, the opposing force of the reset spring and that generated from the compressed air must be overcome.

In the actuated state, connection 1 and 2 are connected and the valve is switched to flow. The valve is actuated either manually or mechanically. The actuation force required is dependent on the supply pressure, spring force and the friction in the valve. The actuation force limits the feasible size of the valve. The construction of the ball seat valve is very simple and compact.

Fig. 4.2
Circuit diagram:
controlling a single-
acting cylinder



In this circuit the 3/2-way valve 1S controls a single-acting cylinder 1A. The push button activated valve is at rest with the 1 port blocked and the cylinder exhausted to atmosphere via 2 to 3. The operation of the push button diverts the 1 supply to the 2 port and the cylinder extends against spring force. When the push button is released, the valve returns by spring, and the cylinder is returned to its initial position by the cylinder return spring.

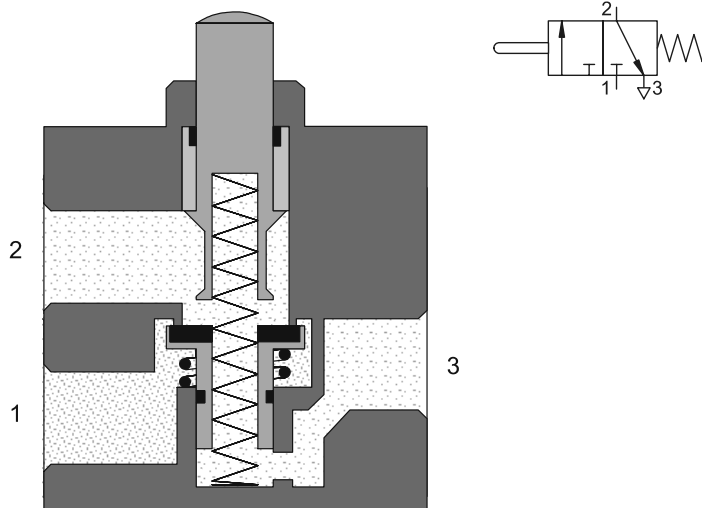


Fig. 4.3
3/2-way valve:
disc seat normally closed,
unactuated

The valve shown here is constructed on the disc seat principle. The sealing is simple but effective. The response time is short and a small movement results in a large cross-sectional area being available for air flow. Like the ball seat valves, they are insensitive to dirt and thus have a long service life. The 3/2-way valves are used for controls employing single-acting cylinders or for generating signals supplied to control elements.

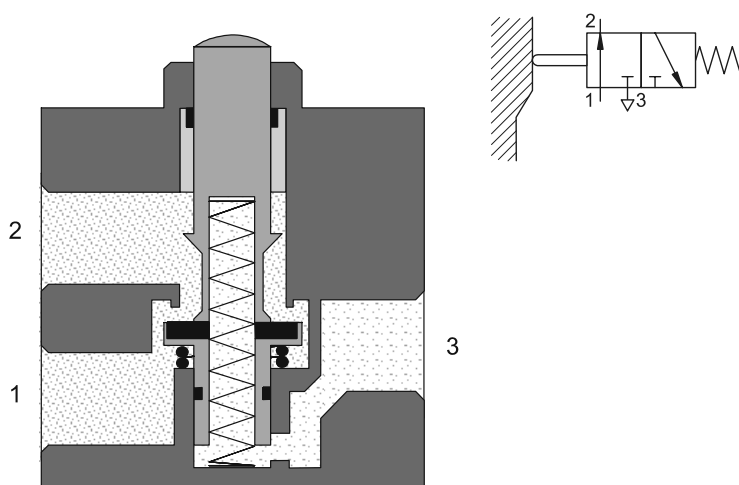
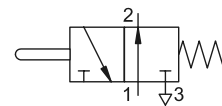
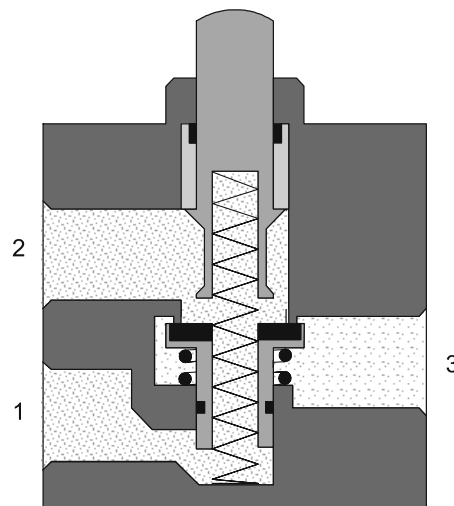


Fig. 4.4
3/2-way valve:
disc seat normally closed,
actuated

A 3/2-way valve in which the normal position is open to flow from 1 to 2, is referred to as a normally open valve. Initially the 1 port is connected to the 2 port through the stem of the valve and the valve disc seat is closed at the 3 port. When the plunger is operated, the 1 air is initially blocked by the stem seat and then the disc is pushed off its seat to exhaust the output air to atmosphere via the passage 2 to 3. When the plunger is released, the piston with the two sealing seats is returned to the initial position by the return spring. Once again the 3 port is blocked and air is supplied from 1 to 2.

The valves can be actuated manually, mechanically, electrically or pneumatically. Different actuation methods can be applied to suit the application.

Fig. 4.5
3/2-way valve:
disc seat normally open,
unactuated



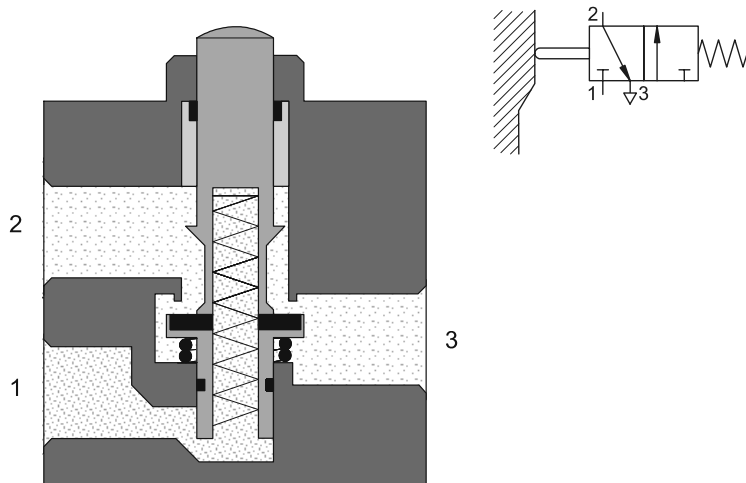


Fig. 4.6
3/2-way valve:
disc seat normally open,
actuated

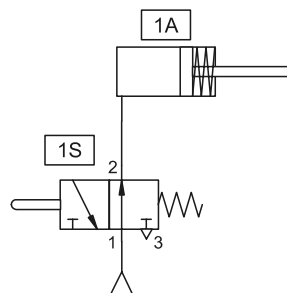


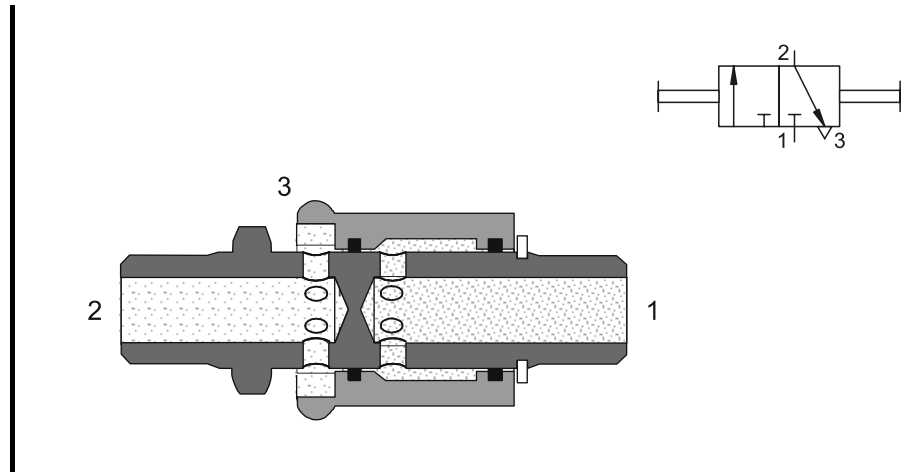
Fig. 4.7
Circuit diagram:
controlling a single-
acting cylinder

In this circuit diagram, pressure is applied to the single-acting cylinder via the 3/2-way valve in normally open position 1V. The cylinder piston has advanced into the initial position. If the valve is actuated, the air supply from 1 to 2 is shut off. The piston chamber is exhausted via port 2 to 3, and the piston rod retracts due to the force of the return spring.

*3/2-way hand
slide valve*

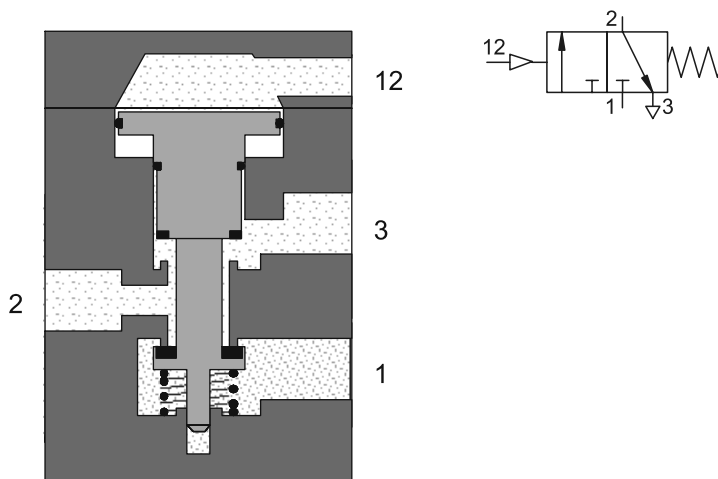
The construction of the valve is simple. Actuation is effected by displacing the grip sleeve lengthwise. This valve is used as a shut-off valve, primarily for the pressurising and exhausting of control systems or system components.

Fig. 4.8
3/2-way hand
slide valve



The pneumatically actuated 3/2-way valve is operated by an air signal at 12. The circuit diagram shown illustrates a pneumatically actuated valve with spring return in normally closed position.

*Pneumatically actuated:
3/2-way valve*



*Fig. 4.9
3/2-way valve single pilot,
normally closed, with spring
return, unactuated*

Air applied at the 12 port moves the valve plunger against the reset spring. The connections 1 and 2 are connected. Upon release of the signal at port 12, the pilot spool is returned to the initial position by the return spring. The disc closes the connection between 1 and 2. The excess air in the working line 2 is exhausted through 3. The single pilot 3/2-way valve with return spring can be configured as normally closed or as normally open.

Fig. 4.10
3/2-way valve single pilot,
normally closed, with spring
return, actuated

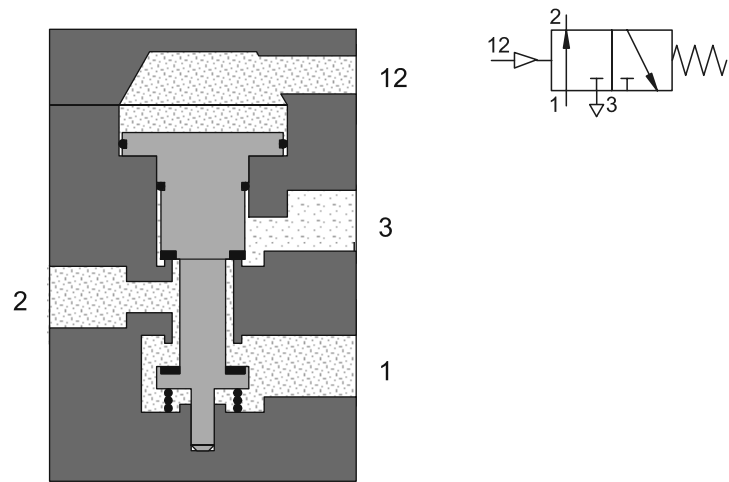
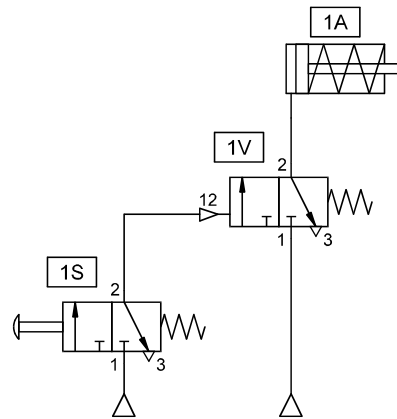


Fig. 4.11
Circuit diagram:
controlling a single-
acting cylinder



The pneumatically actuated valve can be used as a control element, when used in an indirect control. The signal for extension of the cylinder 1A is initiated indirectly by a push button 3/2-way valve 1S which supplies the control signal to the control element 1V.

For the normally open position, ports 1 and 3 only need to be inversely connected to the normally closed position. The head of the valve with port 12 can be rotated 180°. The designation of the pilot port then is 10.

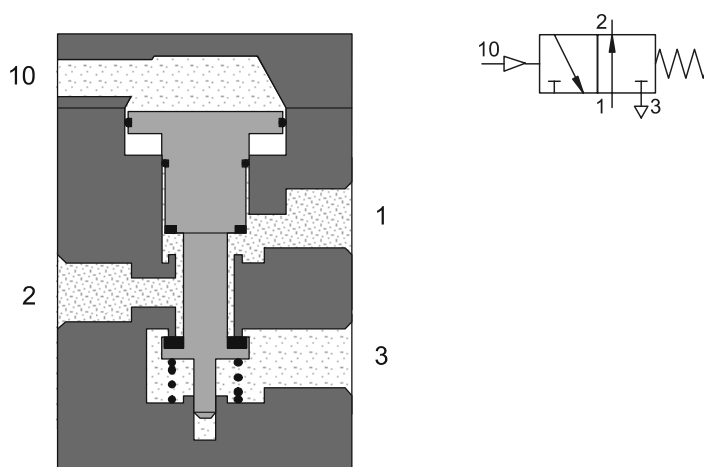


Fig. 4.12
3/2-way valve, single pilot,
normally open, unactuated

If a normally open valve is used at the position of valve 1V, then the cylinder is initially extended and upon operation of the push button of valve 1S, the cylinder retracts.

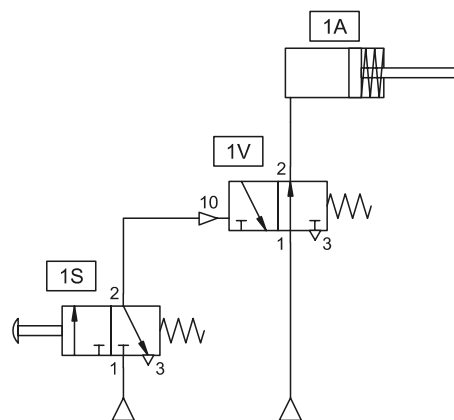


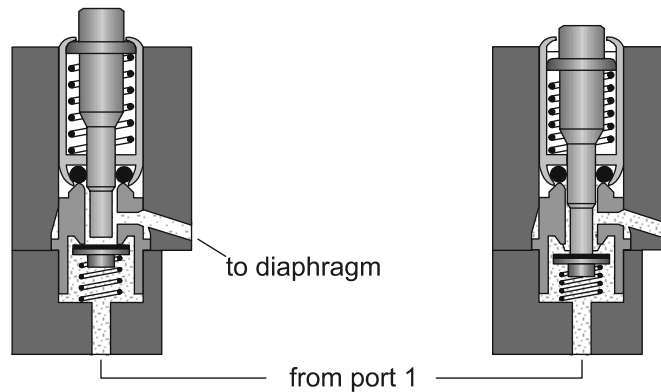
Fig. 4.13
Circuit diagram:
controlling a single-
acting cylinder, indirect

Servo controlled: 3/2-way roller lever valve

Piloted valves require only minimal actuating forces. A small hole connects the pressure connection 1 and the pilot valve. If the roller lever is operated, the pilot valve opens. Compressed air flows to the diaphragm and actuates the main valve disc. The first effect is the closing of the path 2 to 3 followed by the second disc seat opening the airway from 1 to 2.

The return position is effected by means of releasing the roller lever, thereby closing the pilot valve. The valve is exhausted via the hollow stem. The pilot piston of the main valve is returned to its initial position via the reset spring.

Fig. 4.14
Pilot valve:
left unactuated,
right actuated



This type of valve can be used as either a normally closed valve or normally open valve by changing ports 1 and 3 and by rotating the head 180°.

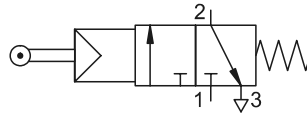
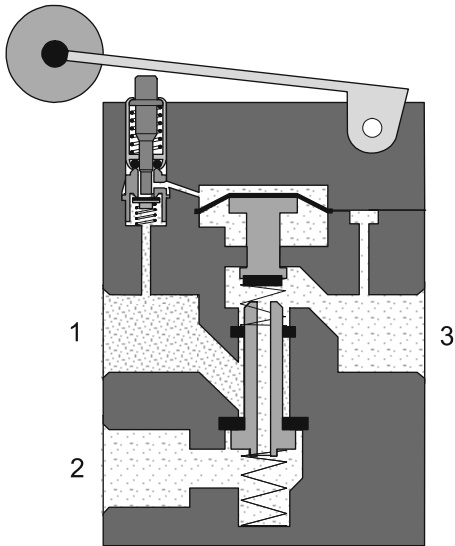


Fig. 4.15
3/2-way roller lever
valve, internal pilot, normally
closed

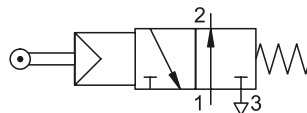
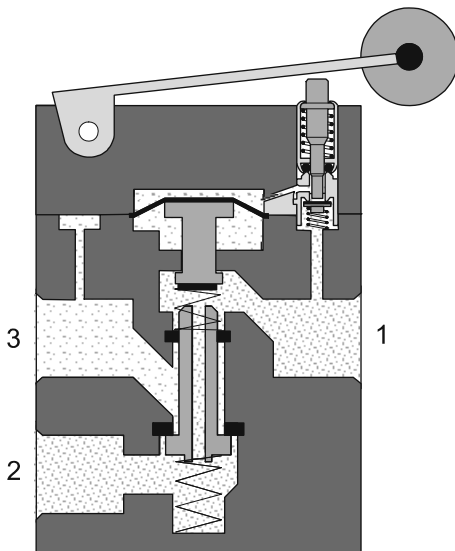


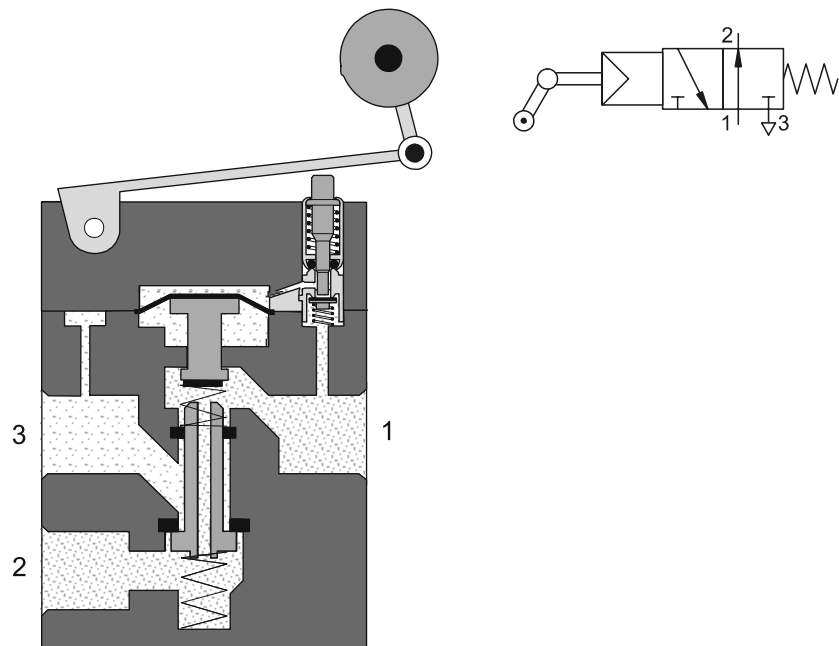
Fig. 4.16
3/2-way roller lever
valve, internal pilot, normally
open

*Roller lever valve
with idle return*

The roller lever valve with idle return only switches if the movement of the trip cam on the roller lever is in a certain direction. The valve is used as a limit switch for the position sensing of the extended and retracted piston rod. Care should be taken to ensure that the valve is fitted in the correct direction of movement.

Likewise, this type of valve can be used either in the normally open or normally closed position. In the case of the normally open position, only ports 1 and 3 need to be inversely connected to the normally closed position. The head of the valve with roller lever actuator can be repositioned by 180°.

Fig. 4.17
Roller lever valve
with idle return



4.4 4/2-way valve

The 4/2-way valve has four ports and two positions.

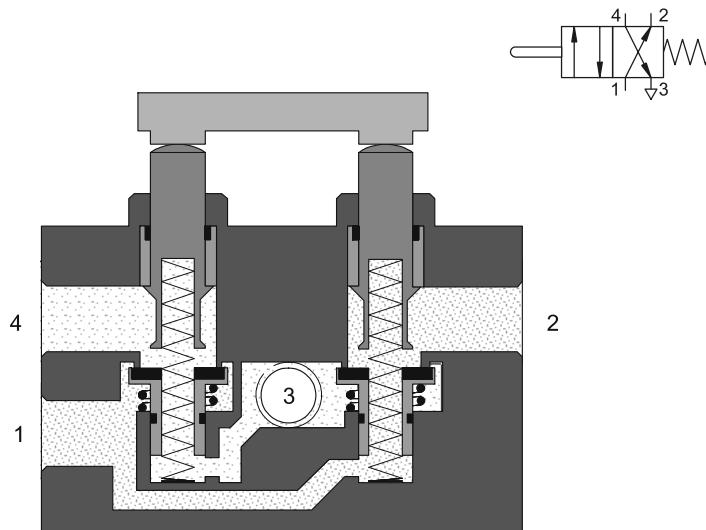


Fig. 4.18
4/2-way valve,
disc seat, unactuated

A disc-seat 4/2-way valve is similar in construction to the combination of two 3/2-way valves, one valve normally closed and the other normally open.

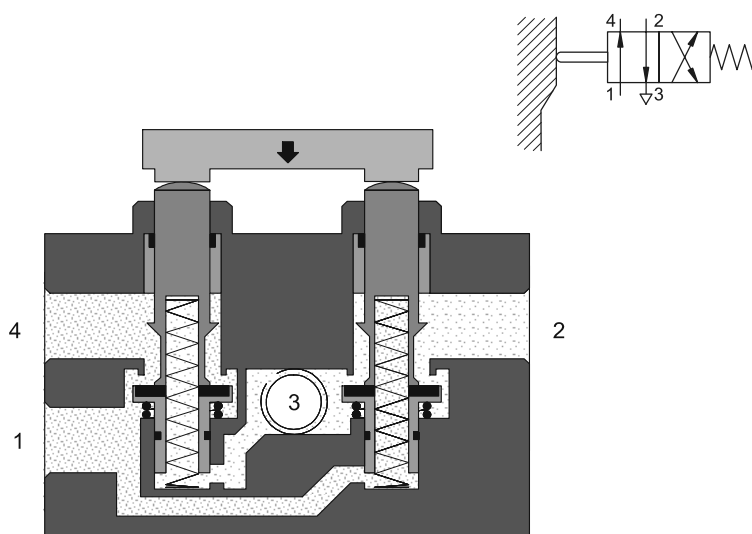


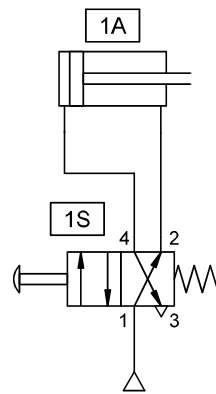
Fig. 4.19
4/2-way valve,
disc seat, actuated

Actuation of the valve: When the two plungers are actuated simultaneously, 1 to 2 and 4 to 3 are closed by the first movement. By pressing the valve plungers further against the discs, opposing the reset spring force, the passages between 1 to 4 and from 2 to 3 are opened.

The valve has a non-overlapping exhaust connection and is returned to its start position by the spring. The valves are used for controls employing double-acting cylinders.

There are other actuating methods and types of construction available for the 4/2-way valve including push button, single air pilot, double air pilot, roller lever actuated, spool and sliding plate. In the main, the 4/2-way valve is utilised in similar roles as the 5/2-way valve.

Fig. 4.20
Circuit diagram:
controlling a double-
acting cylinder, direct



The longitudinal flat slide valve has a control piston for the reversal of the valve. However, the lines are interconnected or separated from one another by means of an additional flat slide.

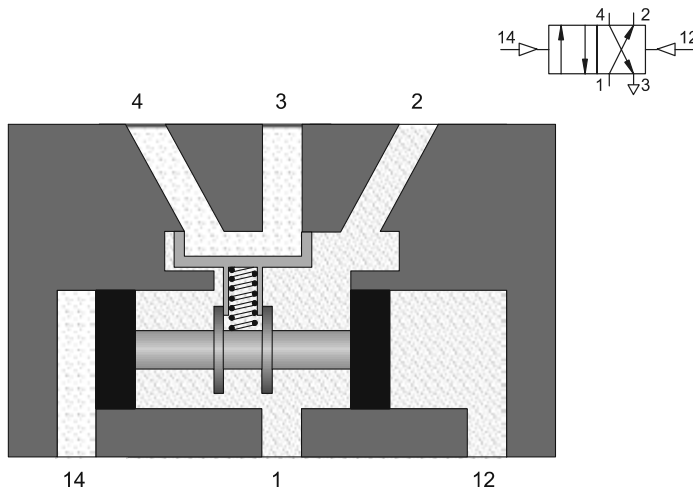


Fig. 4.21
4/2-way double pilot valve,
longitudinal flat slide

The valve is reversed by means of direct pneumatic actuation. When the compressed air is removed from the control port, the control piston remains in the respective position until it receives a signal from the opposite control port.

4.5 4/3-way valve

The 4/3-way valve has four ports and three positions. An example of the 4/3 way valve is the plate slide valve with hand or foot actuation. By turning two discs, channels are connected with one another.

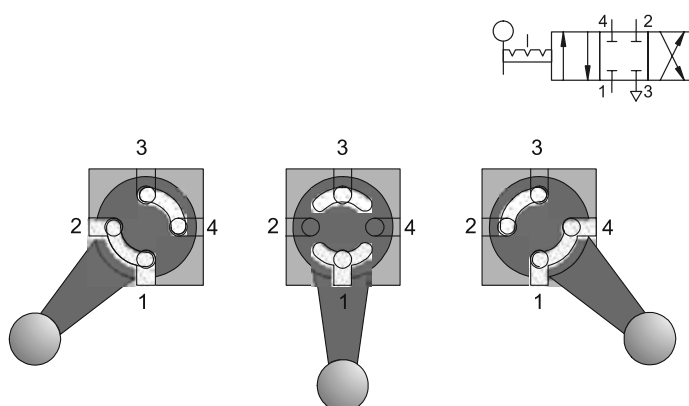
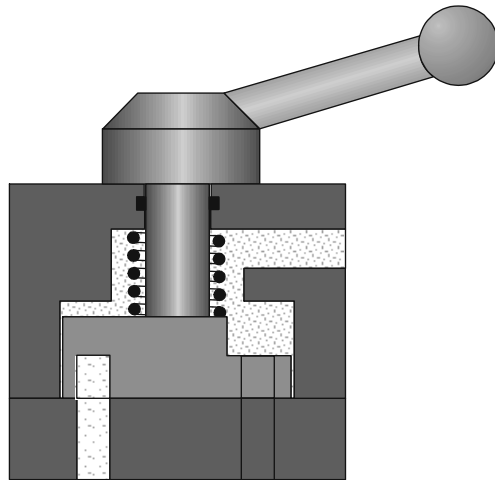


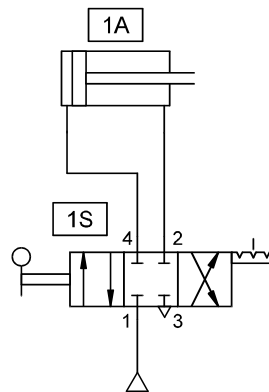
Fig. 4.22
4/3-way plate slide valve,
mid-position closed

Fig. 4.23
4/3-way plate slide valve,
cross section



In this circuit diagram the lines of the 4/3-way valve are closed in the middle position. This enables the piston rod of a cylinder to be stopped in any position over its stroke range, although intermediate positions of the piston rod cannot be located with accuracy. Owing to the compressibility of air, another position will be assumed if the load on the piston rod changes.

Fig. 4.24
Circuit diagram:
controlling a double-
acting cylinder, direct



4.6 5/2-way valve

The 5/2-way valve has five ports and two positions. The 5/2-way valve is used primarily as a control element for the control of cylinders.

An example of the 5/2-way valve, the longitudinal slide valve, uses a pilot spool as a control component. This connects or separates the corresponding lines by means of longitudinal movements. The required actuating force is lower because there are no opposing forces due to compressed air or spring.

All forms of actuation can be used with longitudinal slide valves, i.e. manual, mechanical, electrical or pneumatic. These types of actuation can also be used for resetting the valve to its starting position.

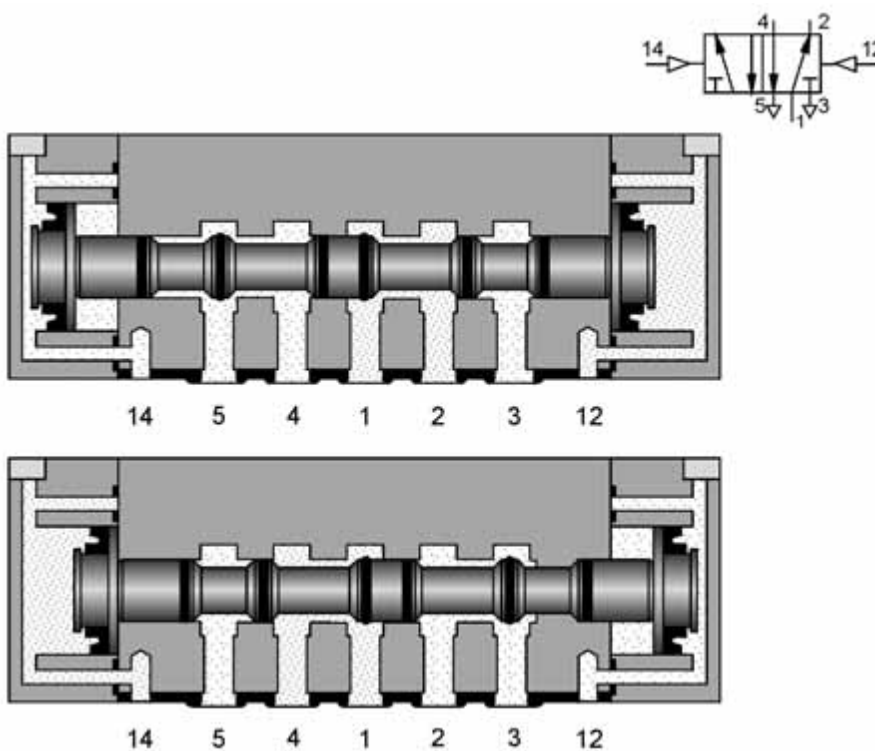
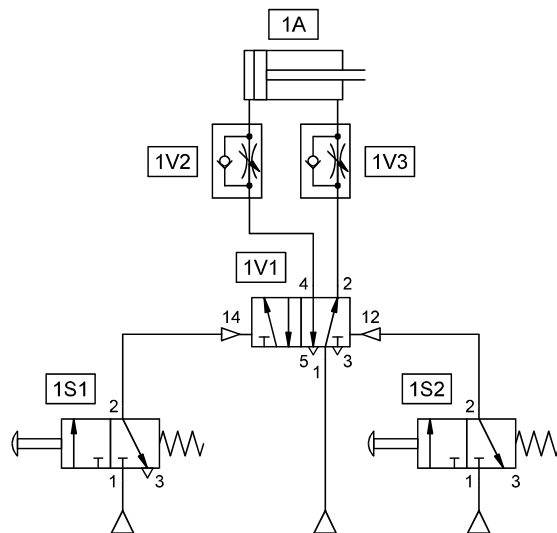


Fig. 4.25
5/2-way valve:
longitudinal slide principle

The actuation travel is considerably larger than with seat valves. Sealing presents a problem in this type of slide valve. The type of fit known in hydraulics as metal to metal, requires the spool to fit precisely in the bore of the housing.

In pneumatic valves, the gap between spool and housing bore should not exceed 0.002 - 0.004 mm, as otherwise the leakage losses will be too great. To save these expensive fitting costs, the spool is often sealed with O-rings or double-cup packings or the bore of the housing is sealed with O-rings. To avoid damaging the seals, the connecting ports can be distributed around the circumference of the spool housing.

Fig. 4.26
Circuit diagram:
controlling a double-
acting cylinder, indirect



In general the 4/2-way valve is replaced by the 5/2-way valve. The 5/2-way valve has advantages in passage construction and allows the exhaust of both extension and retraction air for cylinders to be separately controlled. The 5/2-way valve circuit carries out the same primary control functions as the 4/2-way valve circuit.

Another method of sealing is to use a suspended disc seat with relatively small switching movement. The disc seat seal connects the 1 port to either the 2 port or the 4 port. The secondary seals on the spool pistons close whichever exhaust port is not required. The valve in the diagram below has a manual override button at each end to manually operate the valve spool.

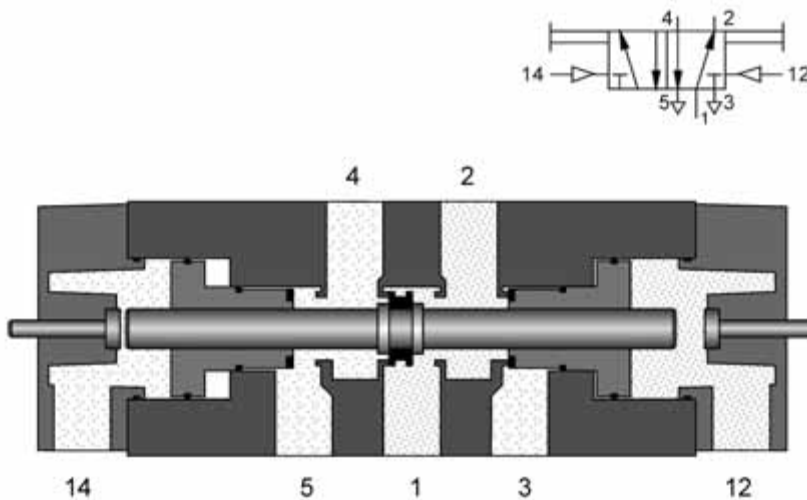


Fig. 4.27
5/2-way double pilot valve,
suspended disc seat,
flow from 1 to 2

The 5/2-way double pilot valve has the characteristic of memory control. The valve is reversed from port 14 or 12 by means of reciprocal pneumatic signals. This new position is memorised until another unique signal occurs.

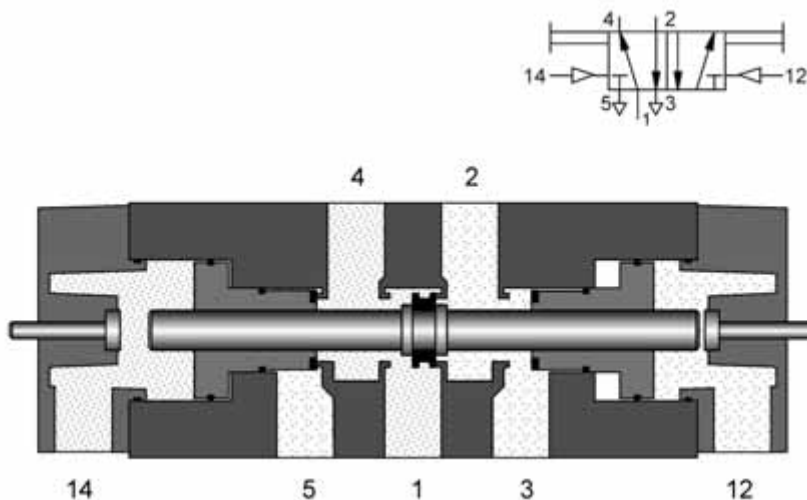
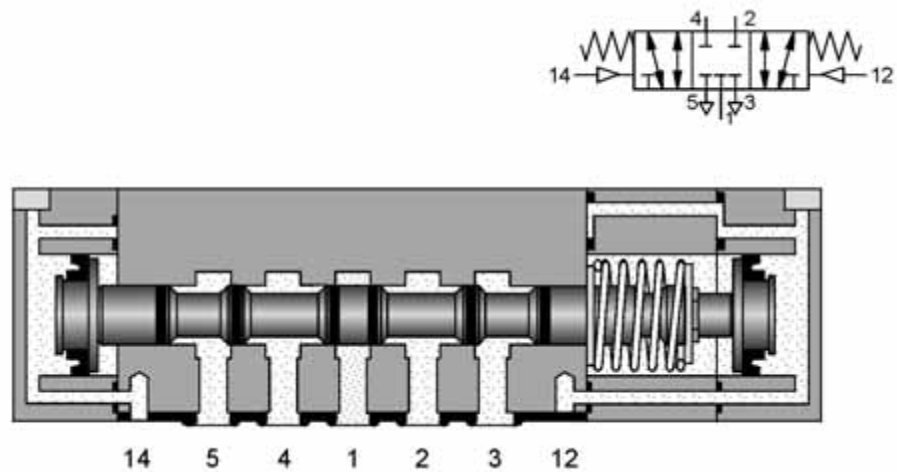


Fig. 4.28
5/2-way double pilot valve,
suspended disc seat,
flow from 1 to 4

4.7 5/3-way valve

The 5/3-way valve has five working ports and three switching positions. With these valves, double-acting cylinders can be stopped within the stroke range. This means a cylinder piston under pressure in mid-position is briefly clamped in the normally closed position and in the normally open position, the piston can be moved unpressurised. If no signals are applied at either of the two control ports, the valve remains spring-centred in mid position.

Fig. 4.29
5/3-way valve,
normally closed



4.8 Flow values of valves

Pressure loss and air flow rate are important functions for the user. The selection of a valve is dependent on

- Volume and speed of cylinder
- Required switching frequency
- Permissible pressure drop

Pneumatic valves are designated with their nominal flow rate. Various factors need to be taken into account to calculate flow values. The factors are:

p_1	Pressure at the valve input side (kPa or bar)
p_2	Pressure at the valve output side (kPa or bar)
Δp	Differential pressure ($p_1 - p_2$) (kPa or bar)
T_1	Temperature (K)
q_n	Nominal flow rate (l/min)

During the measurement, air is to flow through the valve in one direction. The input pressure and output pressure are measured and the air flow is measured by means of a flow meter.

Data regarding the nominal flow values can be found in the manufacturer's catalogue.

4.9 Reliable operation of valves

Mounting of roller lever valves:

The reliability of a control sequence is heavily dependent upon the correct fitting of the limit valves. For all designs of limit valves the mounting must allow simple adjustment or readjustment of the limit valve position in order to achieve precise co-ordination of the cylinder motions within a control sequence.

Fitting of valves:

Apart from a careful selection of valves, correct fitting is a further prerequisite for reliable switching characteristics, trouble-free operation and easy access for repair and maintenance work. This applies both to valves in the power section and valves in the control section.

Maintenance and repairs are facilitated by:

- Numbering of components
- Incorporation of visual displays
- Comprehensive documentation

Manually-actuated valves for signal input are generally fitted on a control panel or control desk. It is therefore practical and convenient to use valves with actuators that can be fitted onto the basic valve. Various actuators are available for a wide variety of input functions.

Valves in the form of control elements control the sequence of pneumatic power components. They need to be constructed in such a way as to trigger as fast a reaction of the actuators as possible. The power valve should therefore be positioned as closely as possible to the actuator in order to keep line lengths, and thus switching times, as short as possible. Ideally, the power valve should be fitted directly to the drive. An additional advantage of this is that connectors, tubing and assembly time can be saved.

Chapter 5

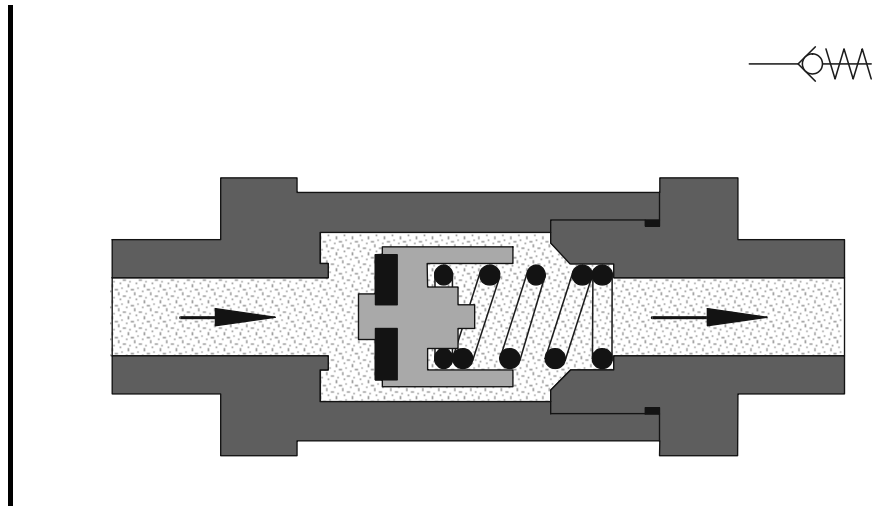
Non-return, flow and pressure valves, valve combinations

5.1 Non-return valves

Non-return valves are devices which preferentially stop the flow in one direction and permit flow in the opposite direction. The pressure on the downstream side acts against the restrictive component, thereby assisting the sealing effect of the valve.

Check valves Check valves can stop the flow completely in one direction. In the opposite direction the flow is free with a minimal pressure drop due to the resistance of the valve. Blocking of the one direction can be effected by cones, balls, plates or diaphragms.

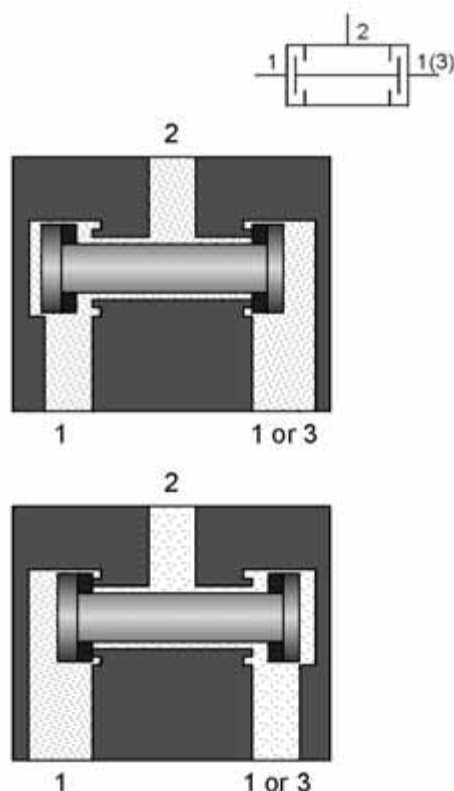
Fig. 5.1
Non-return valve



Junction elements Elements fitted at a three way junction which have non-return characteristics and direct the movement of signal air. The two valves here referred to as junction elements have logic characteristics which determine the passage of two input signals. The dual pressure valve requires two signals (AND function) to produce an output and the shuttle valve requires at least one signal input (OR function) to produce an output. These are processing elements whereby two signals are processed internally and the resulting signal is output at port 2.

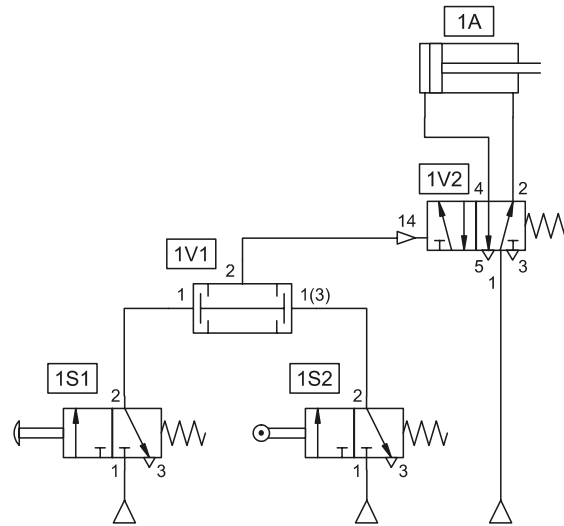
The dual pressure valve has two inlets 1 and 1(3) and one outlet A. Compressed air flows through the valve only if signals are applied to both inlets. One input signal at 1 or 1(3) blocks the flow due to the differential forces at the piston slide. If signals are applied to both 1 and 1(3), the signal which is last applied passes to the outlet. If the input signals are of different pressures, the larger of the two pressures closes the valve and the smaller air pressure is transferred to the outlet 2. The dual pressure valve is used mainly for interlocking controls, safety controls, check functions and logic AND operations.

*Dual pressure valve:
logic AND function*



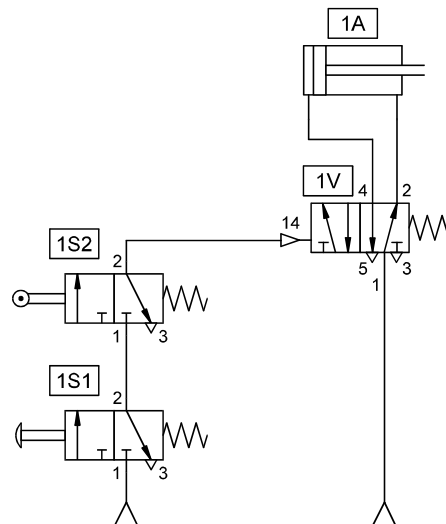
*Fig. 5.2
Dual pressure valve:
logic AND function*

Fig. 5.3
Circuit diagram with
dual pressure valve



The dual pressure valve circuit is equivalent to the two input signalling devices in series, i.e. one after the other (3/2-way valve, normally closed position). The signal output is passed all the way through only if both signal elements are operated.

Fig. 5.4
Circuit diagram:
series AND function

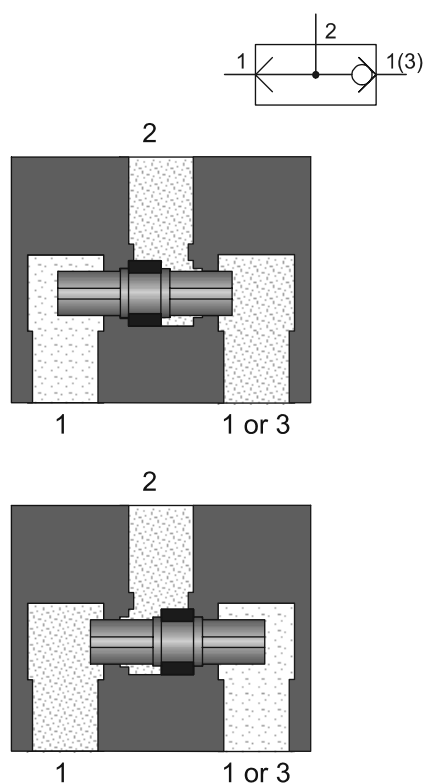


A disadvantage of the switching variant is that in practice this often leads to extremely long lines between the valves. Moreover, the signal from valve 1S2 cannot be used in another logic, since the valve 1S2 is only pressurised if valve 1S1 is actuated.

This non-return element has two inlets 1 and 1(3) and one outlet 2. If compressed air is applied to the first inlet 1, the valve seat seals the opposing inlet 1(3), the air flows from 1 to 2. Inlet 1 is closed, if air passes from 1(3) to 2. A signal is generated at the outlet. When the air flow is reversed, i.e. a cylinder or valve is exhausted, the seat remains in its previously assumed position because of the pressure conditions.

This valve is also called an OR element. If a cylinder or control valve is to be actuated from two or more positions, one or more shuttle valves should be used.

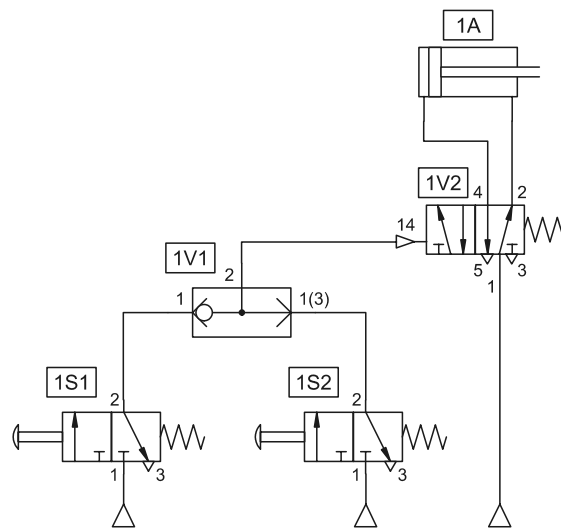
*Shuttle valve:
logic OR function*



*Fig. 5.5
Shuttle valve:
logic OR function*

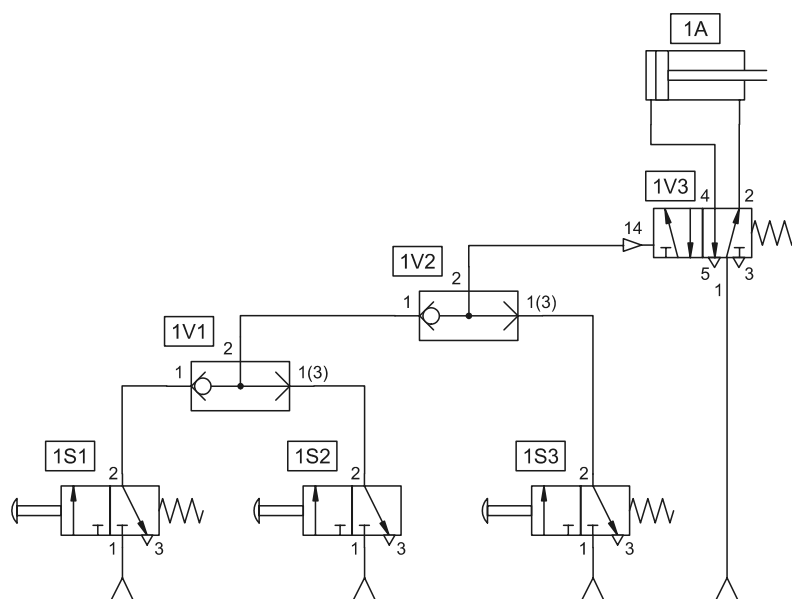
In the example shown, a cylinder is to be advanced using two hand operated valves, which can be fitted at different distances from the cylinder. Without the use of the shuttle valve, the compressed air would mainly flow via port 3 of the valve 1S2, if the valve 1S1 is actuated.

Fig. 5.6
Controlling a cylinder with two input elements



Shuttle valves can be linked to create additional logic OR conditions e.g. as shown below: if any of three push buttons is operated, the cylinder is to extend.

Fig. 5.7
Controlling a cylinder with three input elements



Quick-exhaust valves are used to increase the piston speed of cylinders. This enables lengthy return times to be avoided, particularly with single-acting cylinders. The principle of operation is to allow the cylinder to retract at its near maximum speed by reducing the resistance to flow of the exhausting air during motion of the cylinder. To reduce resistance, the air is expelled to atmosphere close to the cylinder via a large orifice opening. The valve has a closable supply connection 1, a closable exhaust 3 and an outlet 2.

Quick exhaust valve

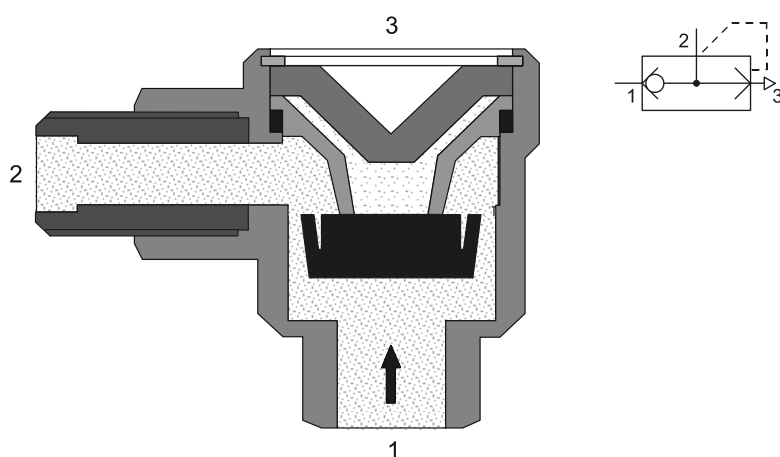


Fig. 5.8
Quick exhaust valve:
flow from 1 to 2

If pressure is applied at port 1, then the sealing disc covers the exhaust 3, whereby the compressed air passes from 1 to 2. If pressure is no longer applied at 1, then the air from 2, moves the sealing disc against port 1 and closes this, whereby the exhaust air immediately vents to atmosphere. There is no need for the air to pass through a long and possibly restricted path to the directional control valve via the connecting lines. It is advantageous to mount the quick-exhaust valve directly on the cylinder or as near to it as possible.

Fig. 5.9
Quick exhaust valve:
exhaust from 2 to 3

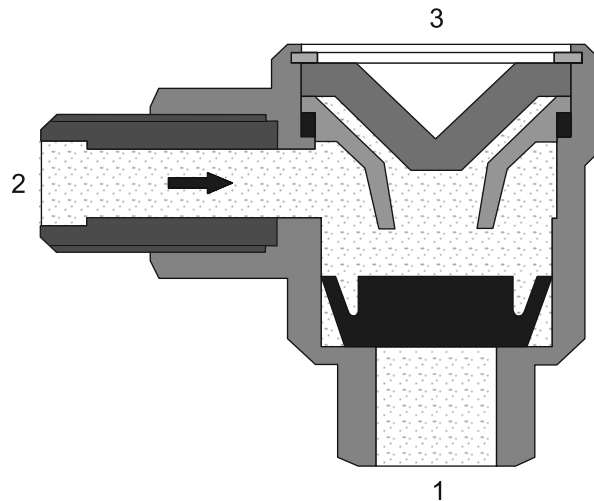
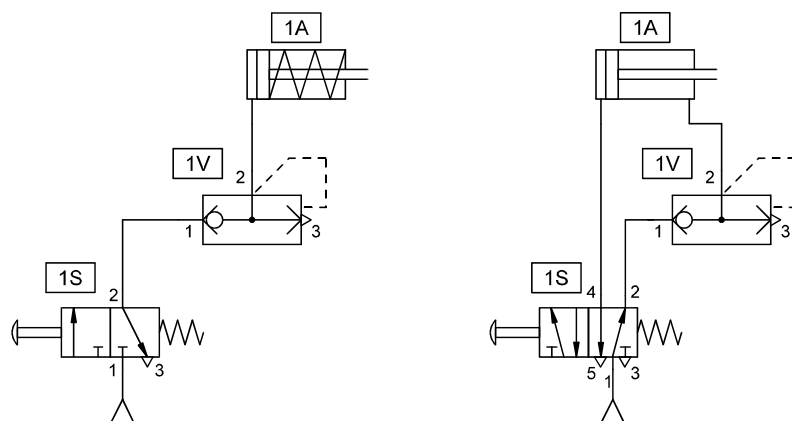


Fig 5.10
Circuit diagram with
quick exhaust valve



Shut-off valves are non-adjustable valves, which release or shut off flow in both directions. Typical examples are the stop cock and ball cock.

Shut-off valves

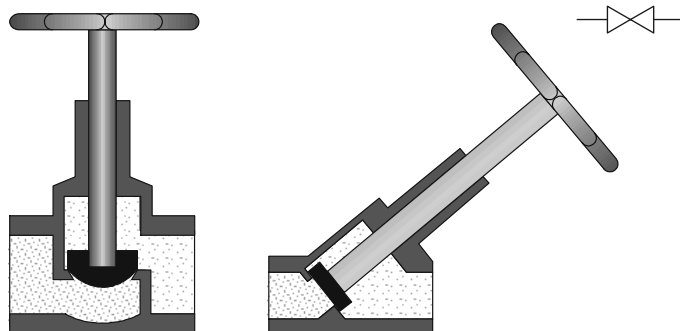


Fig. 5.11
Stop cock

5.2 Flow control valves

Flow control valves influence the volumetric flow of the compressed air in both directions. The throttle valve is a flow control valve.

Throttle valves are normally adjustable and the setting can be locked in position. Throttle valves are used for speed control of cylinders. Care must be taken that the throttle valve does not close fully, cutting off air from the system.

*Throttle valve,
bi-directional*

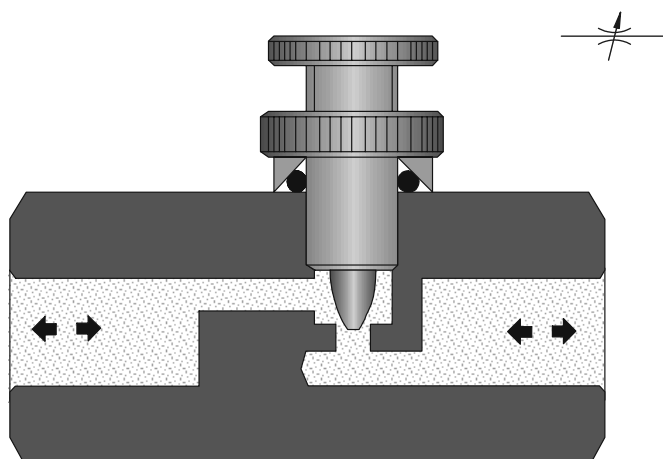


Fig. 5.12
Throttle valve

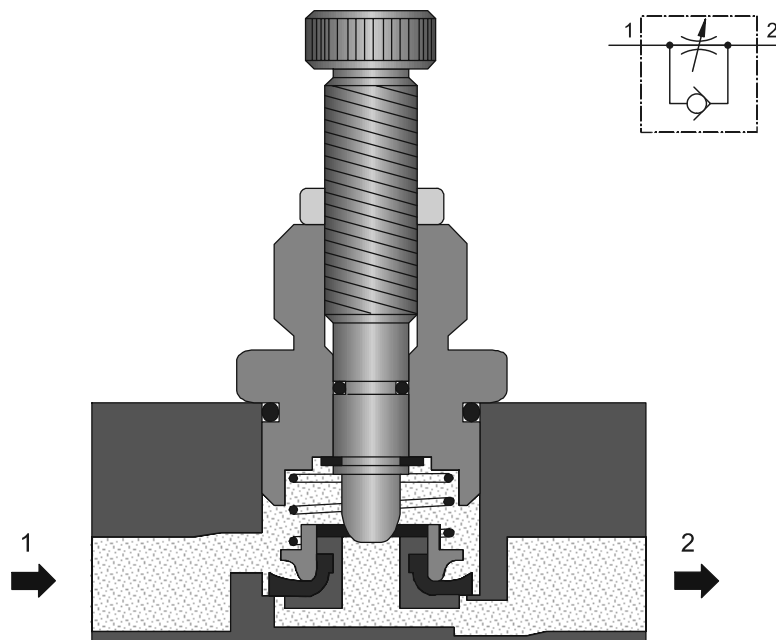
Characteristics of flow control valves according to construction principle:

- Throttle valve:
In the throttle valve, the length of the throttling section is greater than its diameter.
- Diaphragm valve:
In the diaphragm valve, the length of the throttling section is less than its diameter.

One-way flow control valve

In the case of the one-way flow control valve, the air flow is throttled in one direction only. A check valve blocks the flow of air in the bypass leg and the air can flow only through the regulated cross-section. In the opposite direction, the air can flow freely through the opened check valve. These valves are used for speed regulation of actuators and if possible, should be mounted directly on the cylinder.

Fig. 5.13
One-way flow control valve



Fundamentally, there are two types of throttling circuits for double-acting cylinders:

- Supply air throttling
- Exhaust air throttling

For supply air throttling, one-way flow control valves are installed so that the air entering the cylinder is throttled. The exhaust air can escape freely through the check valve of the throttle valve on the outlet side of the cylinder. The slightest fluctuations in the load on the piston rod, such as occur for example when passing a limit switch, lead to very large irregularities in the feed speed.

A load in the direction of movement of the cylinder accelerates the cylinder beyond the set value. Therefore supply air throttling can be used for single-acting and small volume cylinders.

Supply air throttling

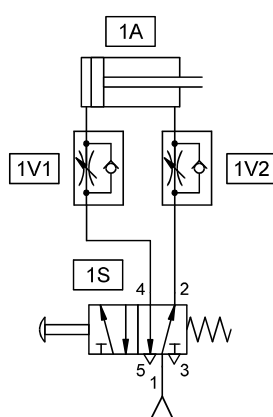
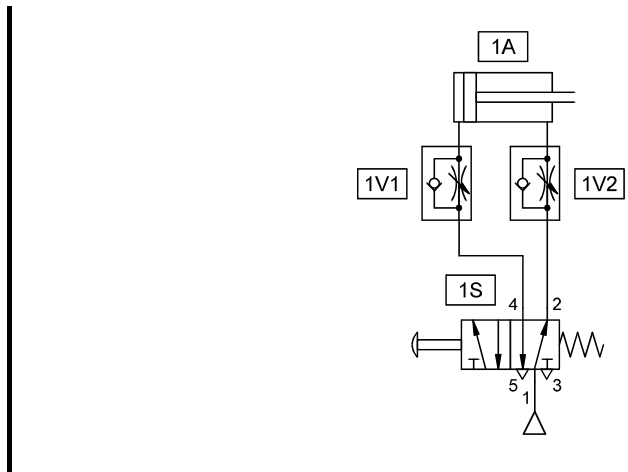


Fig. 5.14
Supply air throttling

Exhaust air throttling With exhaust air throttling, the supply air flows freely to the cylinder and the exhaust air is throttled. In this case, the piston is loaded between two cushions of air. The first cushion effect is the supply pressure to the cylinder and the second cushion is the exhausting air being restricted at the one-way flow control valve orifice. Arranging throttle relief valves in this way contributes substantially to the improvement of feed behaviour. Exhaust air throttling should be used for double-acting cylinders. In the case of miniature cylinders, supply and exhaust air flow control is to be selected because of the reduced air quantity.

Fig. 5.15
Exhaust air throttling



With mechanically adjustable one-way flow control valves, the speed of the cylinder can be changed during the stroke. The basic speed can be set via an adjusting screw. By means of an irregular shaped follower, which actuates the roller lever of the mechanically adjustable one-way flow control valve, the throttle cross section is correspondingly changed.

Mechanically adjustable one-way flow control valve

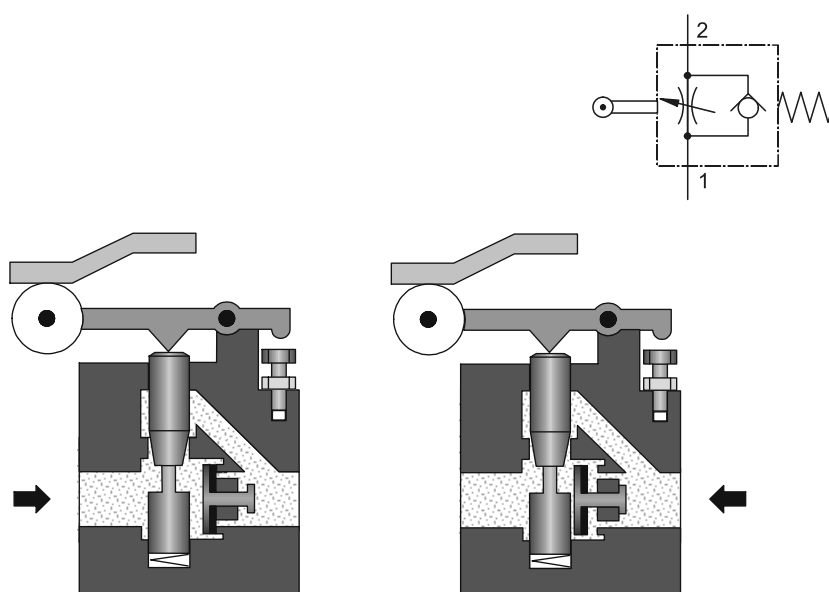


Fig. 5.16
Mechanically adjustable one-way flow control valve

5.3 Pressure valves

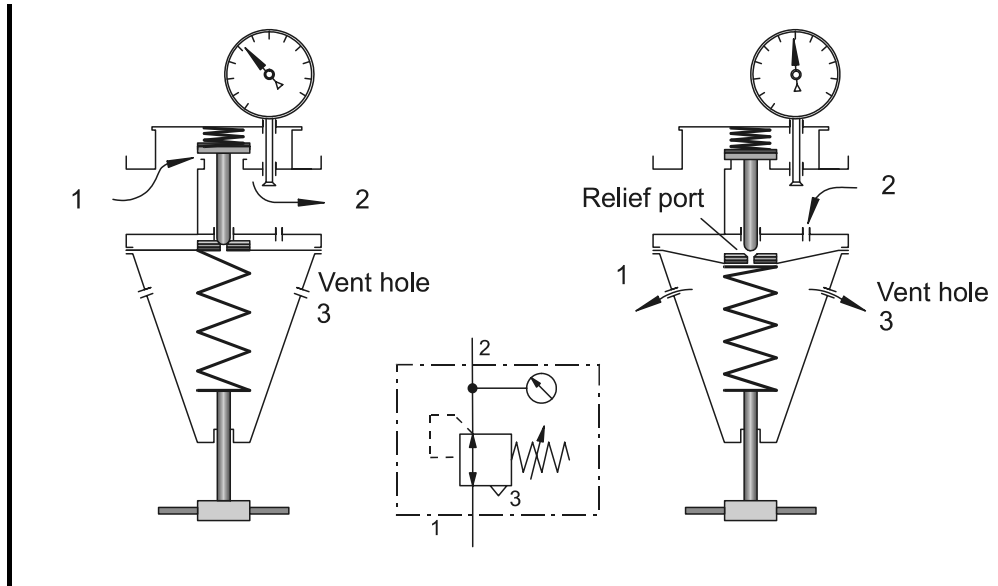
Pressure control valves are elements which predominantly influence the pressure or are controlled by the magnitude of the pressure. They are divided into the three groups:

- Pressure regulating valve
- Pressure limiting valve
- Pressure sequence valve

Pressure regulating valve

The pressure regulating valve is dealt with under the section B 2.6 “Service unit”. The role of this unit is to maintain constant pressure even with fluctuating supply. The input pressure must be greater than the required output pressure.

Fig. 5.17
Pressure regulating valve



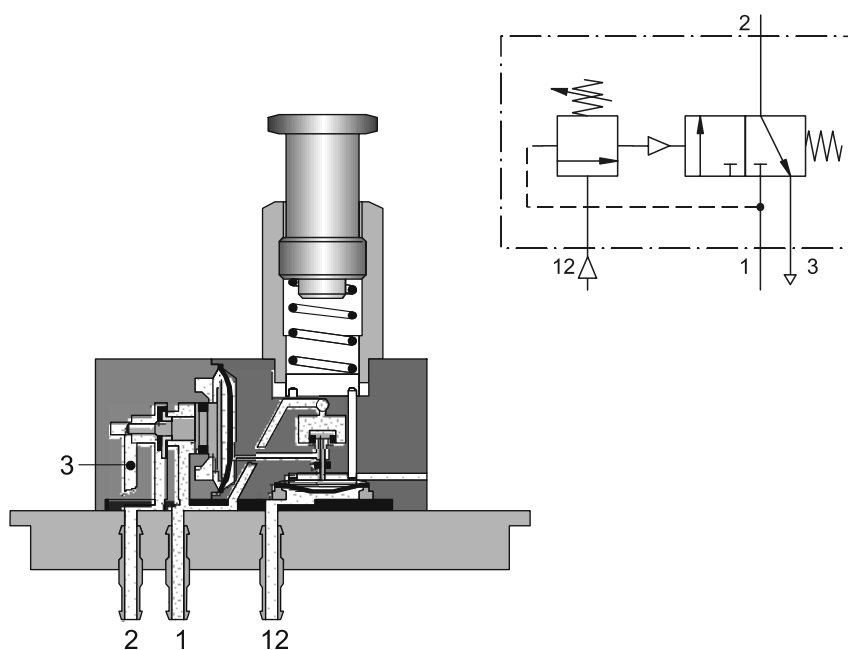
Pressure limiting valve

The pressure limiting valves are used mainly as safety valves (pressure relief valves). They prevent the maximum permissible pressure in a system from being exceeded. If the maximum pressure has been reached at the valve inlet, the valve outlet is opened and the excess air pressure exhausts to atmosphere. The valve remains open until it is closed by the built-in spring after reaching the preset system pressure.

The principle on which this valve acts is the same as for the pressure limiting valve. If the pressure exceeds that set on the spring, the valve opens.

The flow from 1 to 2 is closed. Outlet 2 is opened only if a preset pressure has built up in pilot line 12. A pilot spool opens the passage 1 to 2.

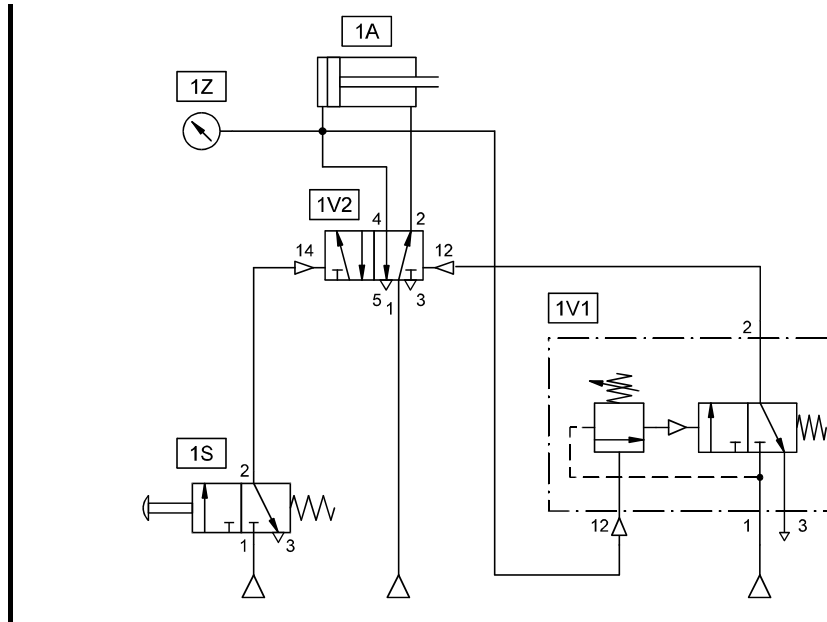
Pressure sequence valve



*Fig. 5.18
Adjustable pressure
sequence valve*

Pressure sequence valves are installed in pneumatic controls where a specific pressure is required for a switching operation (pressure-dependent controls).

Fig. 5.19
Circuit diagram with
pressure sequence valve



5.4 Combinational valves

Components of different control groups can be combined into the body of one unit with the features, characteristics and construction of a combination of valves. These are referred to as combinational valves and their symbols represent the various components that make up the combined unit. The following units can be defined as combinational valves:

- Time delay valves: for the delay of signals
- Air control blocks: for the execution of individual and oscillating movements using double-acting cylinders
- 5/4-way valve: for the stopping of double-acting cylinders in any position
- Air operated 8-way valve: for the control of feed units
- Pulse generator: for the execution of rapid cylinder movements
- Vacuum generator with ejector: for pick and place applications
- Stepper modules: for sequential control tasks
- Command memory modules: for startup with signal input conditions

The time delay valve is a combined 3/2-way valve, one way flow control valve and air reservoir. The 3/2-way valve can be a valve with normal position open or closed. The delay time is generally 0-30 seconds for both types of valves.

Time delay valve

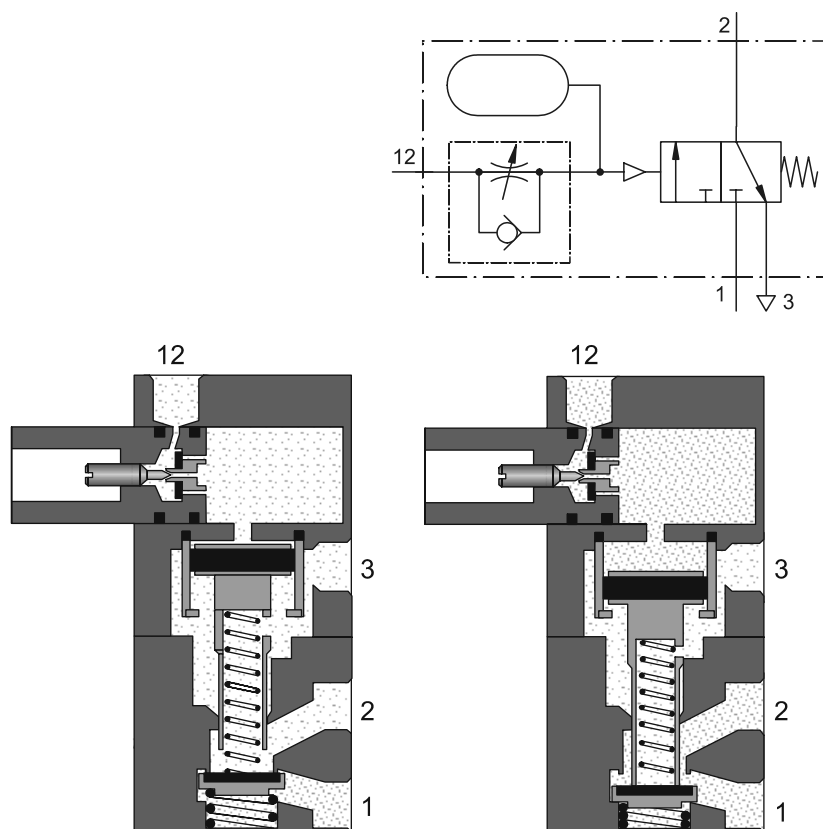


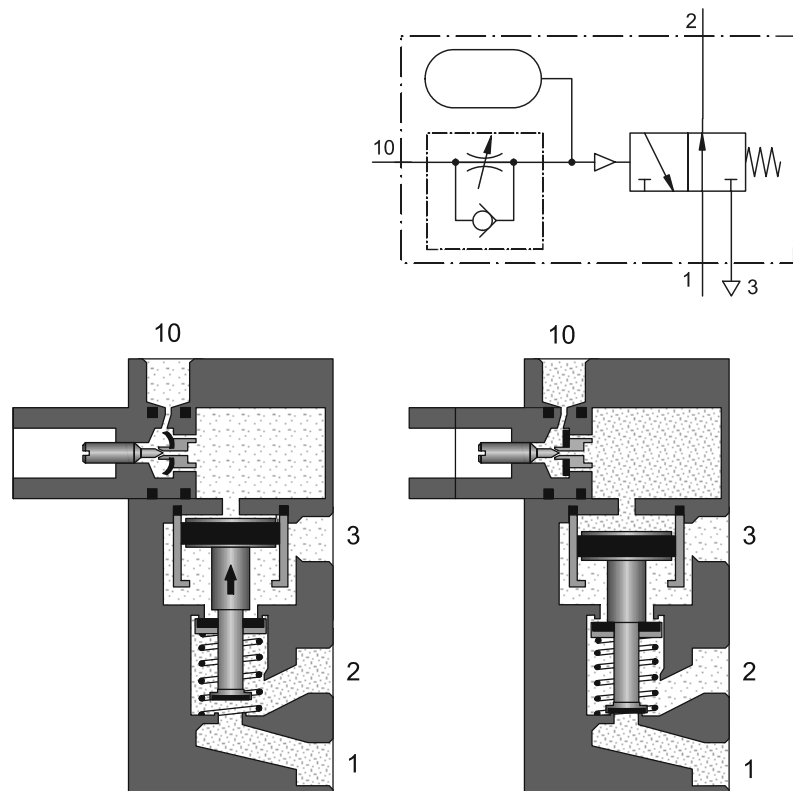
Fig. 5.20
Time delay valve:
normally closed

By using additional reservoirs, the time can be extended. An accurate switch-over time is assured, if the air is clean and the pressure relatively constant.

Operational principle The following operational principle applies for a time delay valve with a 3/2-way valve in normally closed position: The compressed air is supplied to the valve at connection 1. The control air flows into the valve at 12 through a one-way flow control valve and depending on the setting of the throttling screw, a greater or lesser amount of air flows per unit of time into the air reservoir. When the necessary control pressure has built up in the air reservoir, the pilot spool of the 3/2-way valve is moved downwards. This blocks the passage from 2 to 3. The valve disc is lifted from its seat and thus air can flow from 1 to 2. The time required for pressure to build up in the air reservoir is equal to the control time delay of the valve.

If the time delay valve is to switch to its initial position, the pilot line 12 must be exhausted. The air flows from the air reservoir to atmosphere through the bypass of the one-way flow control valve and then to the exhaust line. The valve spring returns the pilot spool and the valve disc seat to their initial positions. Working line 2 exhausts to 3 and 1 is blocked.

Fig. 5.21
Time delay valve:
normally open



The normally open time delay valve includes a 3/2-way valve which is open. Initially the output 2 is active. When the valve is switched by 10 the output 2 is exhausted to 3 and 1 is closed. The result is that the output signal is turned off after a set time delay.

The time delay corresponds to the pressure build up in the reservoir again. If the air at port 10 is removed, then the 3/2-way valve assumes the normal position.

The circuit below utilises two time delay valves, one a normally closed valve (1V2) and the other a normally open valve (1V1). Upon operation of the start button 1S1, the signal generated passes through the valve 1V1 and initiates the movement of cylinder extension (1A) via the 14 port of the control element 1V3. The time delay valve 1V1 has a short time delay set of 0.5 seconds. This is long enough to initiate the start signal but then the 14 signal is cancelled by the 10 pilot signal of the time delay valve. The cylinder operates limit valve 1S2. The time delay valve 1V2 receives a pilot signal which after the preset time opens the valve. This supplies the 12 signal which reverses the valve and retracts the cylinder. A new cycle can only be started via the start button and renewed actuation of the valve 1S1.

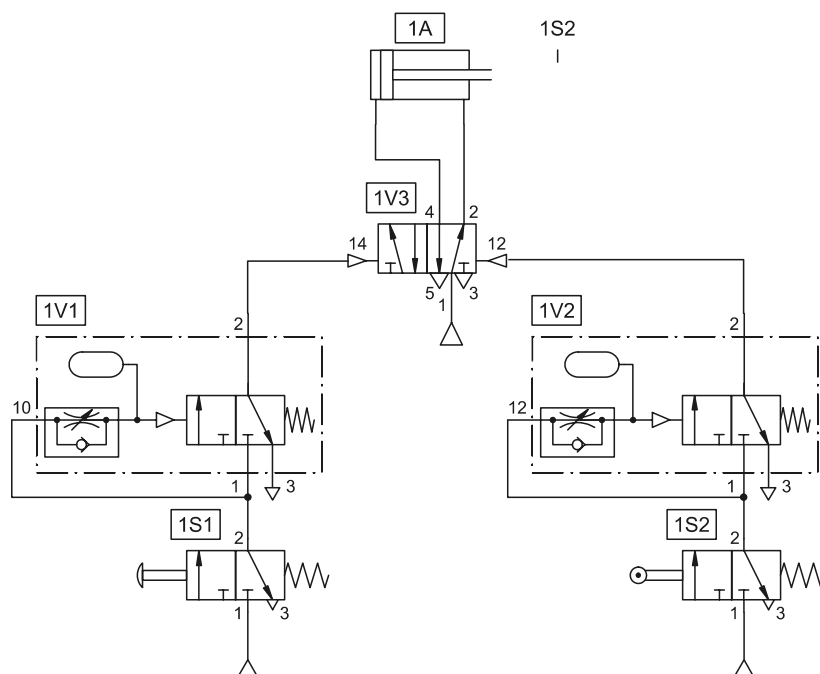
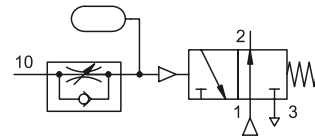
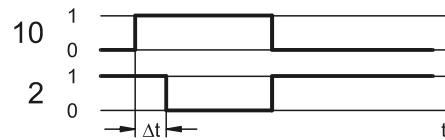
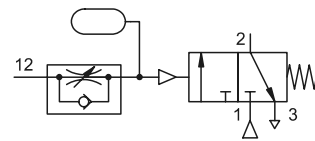
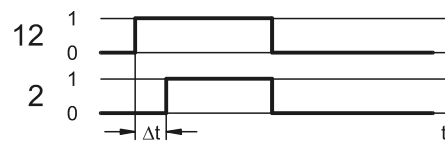


Fig. 5.22
Circuit diagram with
time delay valve

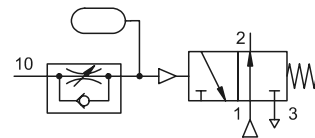
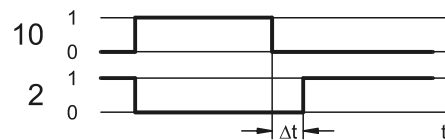
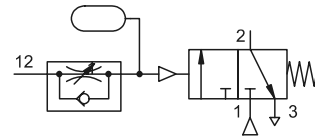
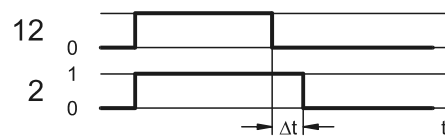
The following illustrations show the time behaviour of circuits with time delay valves.

Fig. 5.23
Time response of circuits
with time delay valves

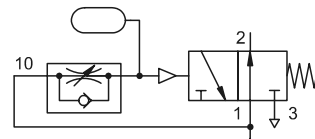
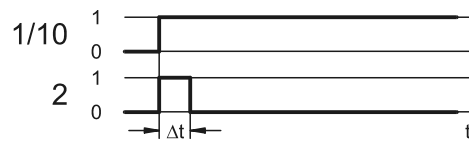
Time response with delay-on



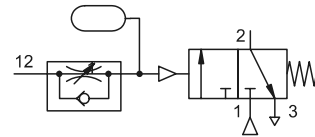
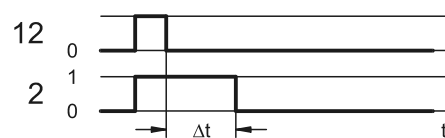
Time response with delay-off



Signal shortening / signal switch-off



Signal lengthening



Chapter 6

Systems

6.1 Selection and comparison of working and control media

To select the working and control media consideration must be given to the following:

- The work or output requirements
- The preferred control methods
- The resources and expertise available to support the project
- The systems currently installed which are to be integrated with the new project

Firstly, the individual advantages and disadvantages of the media available must be considered, both as a control medium and as a working medium. Then the selections can be developed towards a solution.

T. 6.1
Working media

Criteria	Pneumatics	Hydraulics	Electrics
Force linear	Forces limited due to low pressure and the cylinder diameter, no energy consumption during stoppage	Large forces due to high pressure	Lower forces, poor efficiency, non overload-proof, high energy consumption during idling
Force, rotating	Full torque, even during stoppage, no energy consumption	Full torque, even during stoppage, but increased energy consumption	Minimal torque during stoppage
Movement, linear	Simple generation, high acceleration, high speed	Simple generation, easily adjustable	Complicated and expensive due to conversion by mechanical means or in the case of short distances via solenoids and for lower forces, linear motors
Movement, rotating or swivelling	Compressed air motors with extremely high speeds, high operating costs, poor efficiency, swivel movement by means of conversion via gear rack and pinion	Hydraulic motors and swivel cylinders with lower speeds than pneumatic types, high efficiency	Greatest efficiency for rotary drives, limited speed
Adjustability	Easy adjustability of force via pressure and of speed via volume, even in the lower speed range	Excellent adjustability of force and speed, can be accurately adjusted even in slow speed range	Limited possibility of use, whilst at the same time high cost
Energy storage and Transport	Large quantities possible, without expenditure, easily transportable in lines (approx. 1000 m) and compressed air bottles	Only limited storage possible using auxiliary medium of gas or by means of spring-loaded reservoir, transportable in lines of up to 100 m	Storage difficult and expensive (accumulator, battery) easily transportable over great distances via lines
Environmental Effects	Resistant to temperature fluctuations, no explosion hazard, risk of icing in the event of high air humidity, high flow velocities and low ambient temperatures	Sensitive to temperature fluctuations, fire risk in the event of leakage and contamination	Resistant to temperature fluctuations, fire and explosion protection are essential in hazardous areas
Energy costs	Too high compared to electricity, 1m ³ compressed air at 600 kPa (6 bar) costs approx. DM 0.03 to 0.05, depending on system and degree of utilisation	Too high compared to electricity	Lowest energy costs
General	Components are overload-proof, exhaust air noise is unpleasant, silencing is therefore essential	Pump noise at higher pressures, components are overload-proof	Components are not overload-proof, or can only be protected against overload at high cost; noise during switching of contactors and solenoids

T. 6.2
Control media

Criteria	Electrics	Electronics	Standard pressure pneumatics	Low-pressure pneumatics
Robustness of elements	Insensitive to environmental influences such as dust, humidity, etc.	Very sensitive to environmental influences such as dust, humidity, interference fields, jolts and vibrations, long service life	Very insensitive to environmental influences, long service life if air is clean	Very insensitive to environmental influences, sensitive to contaminated air, long service life
Switching time of elements	> 10 ms	<< 1 ms	> 5 ms	> 1 ms
Signal speed	Light speed	Light speed	Approx. 10 - 40 m/s	Approx. 100 - 200 m/s
Possible distances	Practically unlimited	Practically unlimited	Limited by signal speed	
Space requirements	Small	Very small	Small	Small
Main signal processing	Digital	Digital, analogue	Digital	Digital, analogue

6.2 Control theory

Differentiation between the control systems can be made according to the following viewpoints. The following illustrations represent the control types according to DIN 19226. There are three main groups. The categorisation of a control system to the three main groups depends on the problem definition. If it is a case of program control, the project designer has the choice of the three subgroups of program control .

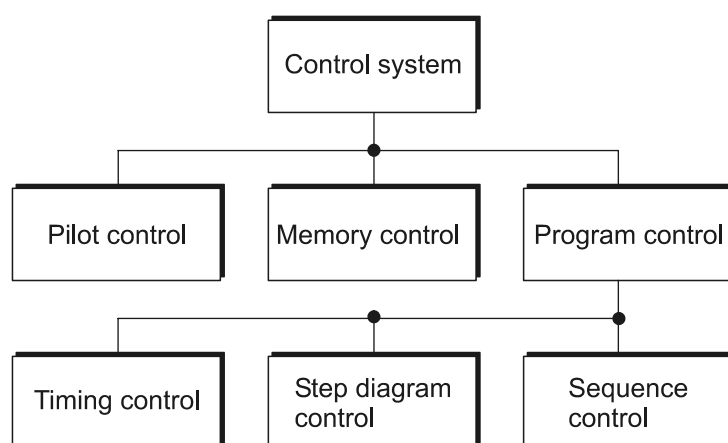


Fig. 6.1
Control types according to
DIN 19226

Pilot control system

There is always a clear relationship between the command or reference value and the output value provided disturbance variables do not cause any deviations. Pilot controls do not have a memory function.

Control types
according to DIN
19226

Memory control system

When the command or reference value is removed or cancelled, in particular after completion of the input signal, the output value achieved is retained (memorised). A different command value or an opposing input signal is required to return the output value to an initial value. Memory control systems always have a storage function.

Program control

The three types of program control are:

- **Step diagram control**

In the case of step diagram control, the reference variables are supplied by a program generator (program memory), whose output variables depend on the path travelled or the position of a moving part of the controlled system.

- **Sequence control system**

The sequence program is stored in a program generator which runs through the program step-by-step according to the status attained by the system being controlled. This program may either be permanently installed or else read from punched cards, magnetic tapes or other suitable memories.

- **Time (schedule) control**

In a time (schedule) control system, the command values are supplied by a time-dependent program generator. Characteristics of a timing control system are, thus, the existence of a program generator and a time-dependent program sequence. Program generators may be :

- Cam shafts
- Cams
- Punched cards
- Punched tape
- Programs in an electronic memory

Control system types

Differentiation between the control systems can be made on the basis of different viewpoints. According to this standard, distinguishing features for control systems are in the form of the representation of information and in the form of signal processing.

Analogue control system

A control system which operates predominantly with analogue signals within the signal processing section. Signal processing is effected primarily with continuously acting function elements.

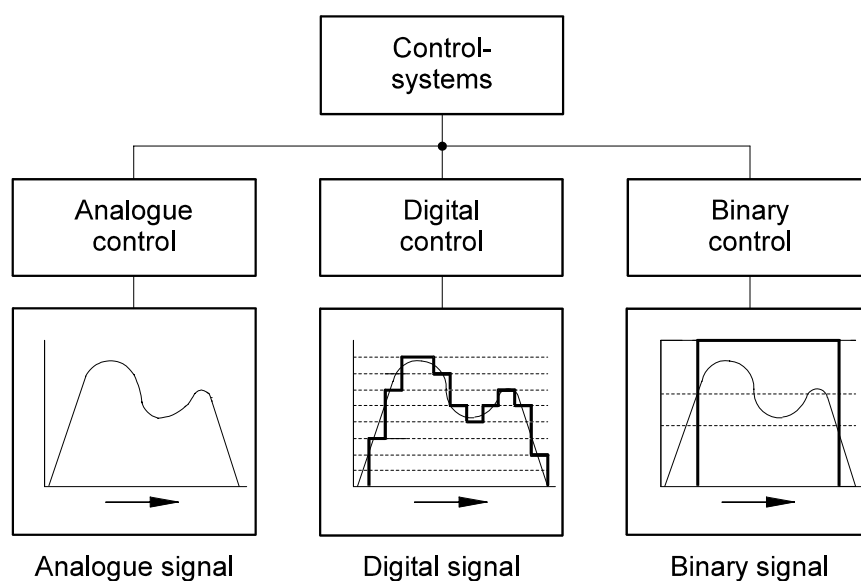
Form of information representation

Digital control system

A control system which operates chiefly using numerical digital signals within the signal processing section. The information is represented numerically. The function units are: Counters, registers, memories, arithmetic units.

Binary control system

A control system which operates predominantly with binary signals within the signal processing section and where the signals are not part of numerically represented data.



*Fig. 6.2
Differentiation between the control systems: in the form of representation of information*

Form of signal processing

Synchronous control system

A control system where signal processing is synchronous to a clock pulse.

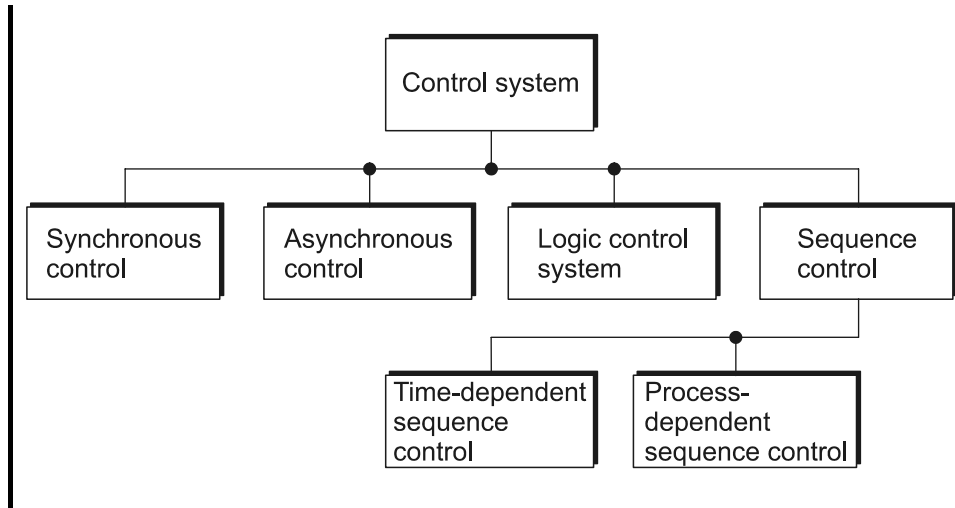
Asynchronous control system

A control system operating without clock pulses where signal modifications are only triggered by a change in the input signals.

Logic control system

A control system where specific signal status for the output signals are assigned to the signal status of the input signals by means of Boolean logic connections (e.g. AND, OR, NOT).

*Fig. 6.3
Differentiation between the control systems: in the form of signal processing*



Sequence control system

A control system with compulsory stepped operation where switching on from one step to the next in the program is dependent upon certain conditions being satisfied. In particular, the programming of jumps, loops, branching, etc. is possible.

Sequence control is divided into two subgroups:

- **Time-dependent sequence control system**

A sequence control whose switching conditions are dependent only on time. Step enabling conditions are generated via timers, or cam-shaft controllers with constant speed.

The existing term of timing control according to DIN 19226 is subject to the time-dependent specification of reference variables.

- **Process-dependent**

A sequence control system whose switching conditions are dependent only on signals from the system being controlled. Step-diagram control as defined in DIN 19226 is a form of process-dependent sequence control, whose step enabling conditions depend purely on the stroke-dependent signals of the controlled system.

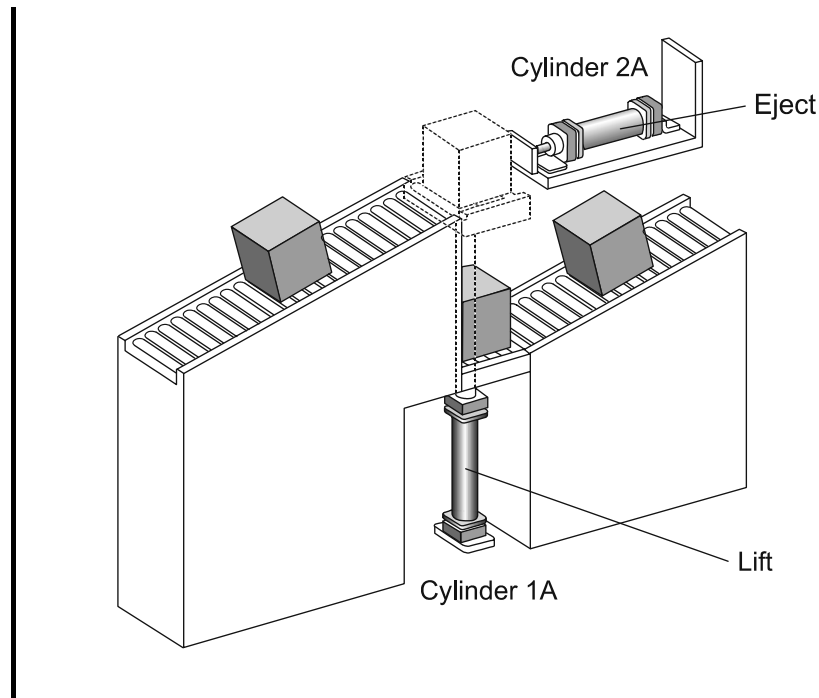
6.3 Control system development

The development of the control system solution requires that the problem is defined clearly. There are many ways of representing the problem in a descriptive or graphical form. The methods of representing the control problem include:

- Positional sketch
- Displacement-step diagram
- Control chart
- Function diagram
- Function chart
- Circuit diagram

Positional sketch The positional sketch shows the relationship between the actuators and the machine fixture. The actuators are shown in the correct orientation. The positional sketch is not normally to scale and should not be too detailed. The diagram will be used in conjunction with the description of the machine operation and the motion diagrams.

Fig. 6.4
Positional sketch example



Displacement-step diagram The displacement-step diagram and the displacement-time diagram are used for motion sequences. The displacement-step diagram represents the operating sequence of the actuators; the displacement is recorded in relation to the sequence step.

If a control system incorporates a number of actuators, they are shown in the same way and are drawn one below the other. Their interrelation can be seen by comparing the steps.

Note The VDI standard 3260 "Function diagrams of production machinery and installations" has been withdrawn. It is nonetheless used in this book to illustrate control sequences.

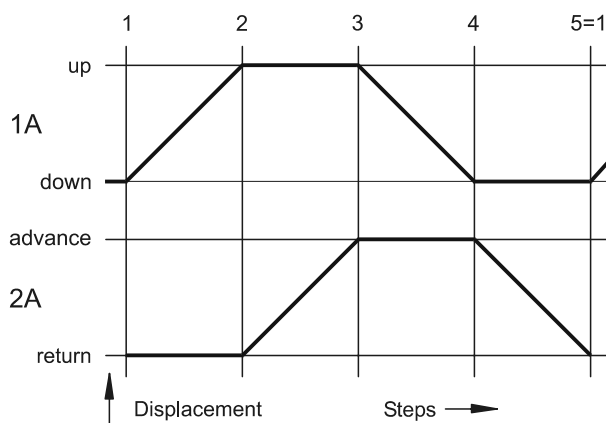


Fig. 6.5
Displacement-step diagram

In this case there are two cylinders 1A and 2A. In step 1 cylinder 1A extends and then cylinder 2A extends in step 2. In step 3 cylinder 1A retracts and in step 4 cylinder 2A retracts. Step number 5 is equivalent to step 1.

In the case of a displacement-time diagram, the displacement is plotted in relation to the time.

Displacement-time
diagram

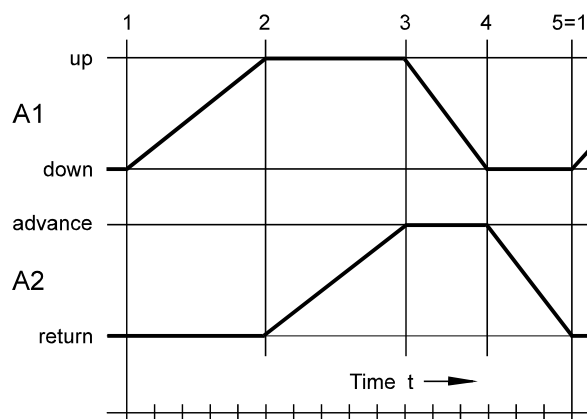
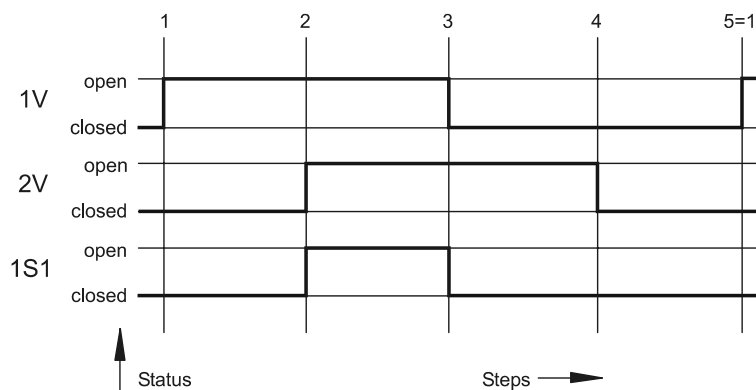


Fig. 6.6
Displacement-time diagram

Control chart In the control chart, the switching status of the control element is represented in relation to the steps or the time. The switching time is not taken into account.

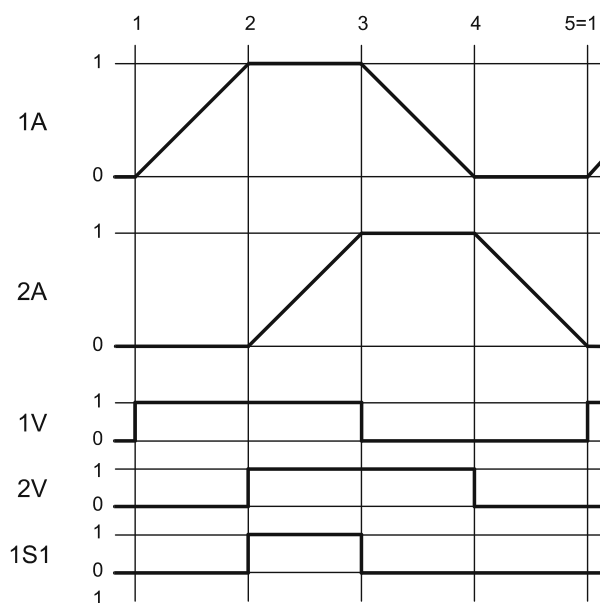
The control diagram in Fig. 6.7 shows the statuses of the control components (1V for cylinder 1A and 2V for cylinder 2A) and the status of the limit switch 1S1 fitted at the front end position of the cylinder 1A.

Fig. 6.7
Control chart



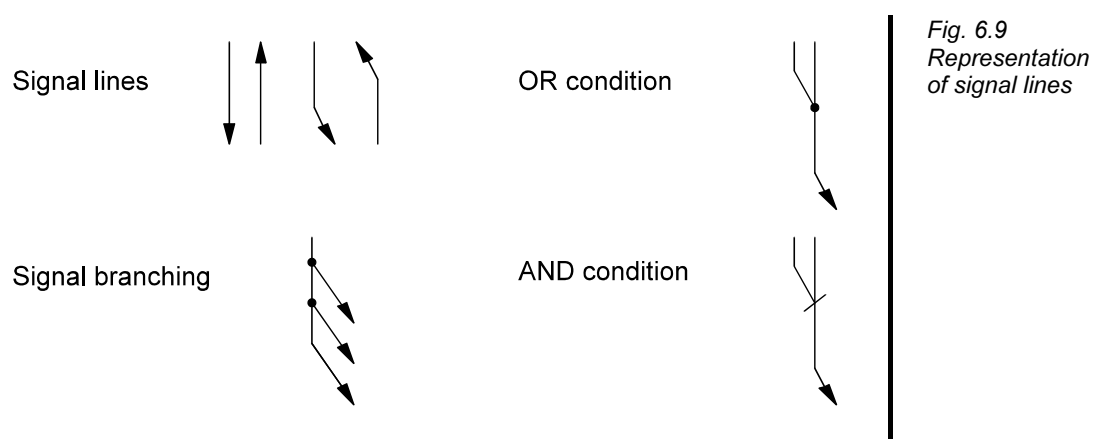
Function diagram The function diagram is a combination of the motion diagram and the control chart. The lines representing the individual states are referred to as function lines.

Fig. 6.8
Function diagram



Apart from the function lines, signal lines can also be entered in the function diagram.

The signal line output is at the signal element and the end at the point, where a change in status occurs, dependent on this signal. Arrows on the signal lines indicate the direction of signal flow.

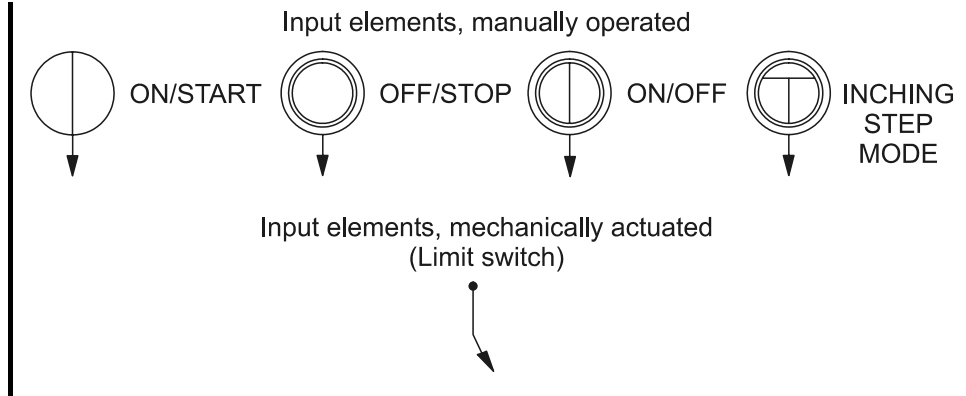


Signal branchings are denoted by a dot at the point of branching. Several changes in status of components are introduced by a signal output.

In the case of the OR condition, a dot is placed at the point of conjunction of the signal lines. Several signal outputs effect the same change in status irrespective of one another.

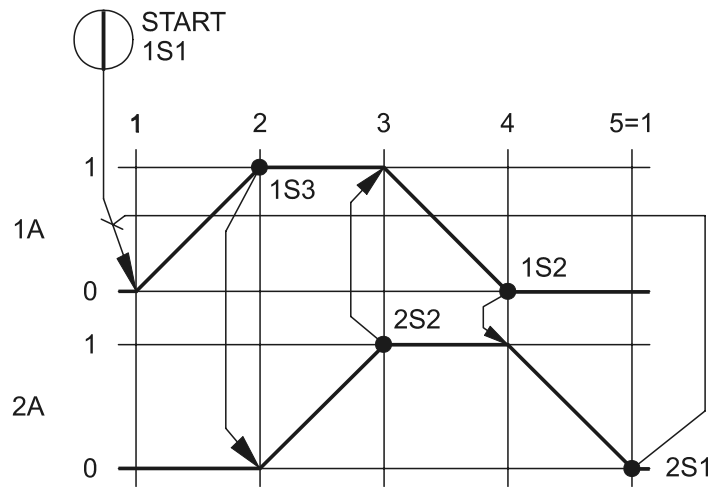
The AND condition is designated by means of an oblique stroke at the point of conjunction of the signal lines. A change in status only occurs, if all signal outputs are present.

Fig. 6.10
Representation
of input elements



The designations of the individual input elements are entered at the output point of the respective signal line.

Fig. 6.11
Displacement-step diagram
with signal lines



The diagram illustrates the following sequence:

- If the limit switch 2S1 is actuated and the push button 1S1 is pressed by the operator, the piston rod of cylinder 1A extends.
- When the cylinder 1A reaches its forward end position, the limit switch 1S3 is actuated and the piston rod of cylinder 2A advances.
- When the cylinder 2A reaches its forward end position, the limit switch 2S2 is actuated and the piston rod of cylinder 1A retracts.
- When the cylinder 1A reaches its retracted end position, the limit switch 1S2 is actuated and the piston rod of cylinder 2A retracts.
- When cylinder 2A reaches its retracted end position, the limit switch 2S1 is actuated and the initial position is reached again.

Abbreviated notation is another possibility of representing motion sequences. In this case, the cylinder designations 1A, 2A, etc. are used in the sequence. The signal for advancing is designated using a '+' and the signal for retracting using a '-'.

Abbreviated notation

- The sequence 1A+ 2A+ 2A- 1A- is to be read as follows: Cylinder 1A advances, cylinder 2A advances, cylinder 2A retracts, cylinder 1A retracts. Sequential movements are written consecutively.
- The sequence

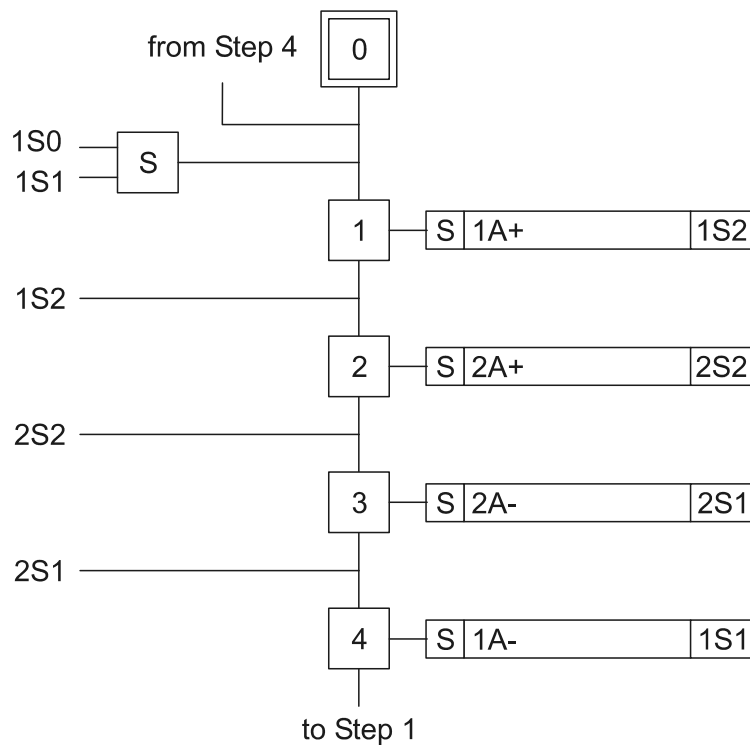
1A+	2A+	2A-
	1A-	

 is to be read as: Cylinder 1A advances, cylinder 2A advances and cylinder 1A retracts, cylinder 2A retracts. Simultaneous movements are written vertically.

Function chart The function chart gives a clear picture of action, and reactions in sequences. The diagram describes the following sequence:

- The clamp cylinder 1A is extended (1A+) and the limit valve then operated is 1S2.
- This limit 1S2 initiates the extension of cylinder 2A (2A+) which is the riveting process.
- The riveting cylinder fully extends and operates the limit 2S2. The limit 2S2 initiates the retraction of the riveting cylinder (2A-).
- The limit 2S1 is then operated which initiates the movement of cylinder 1A unclamping and retracting (1A-).
- The full retraction of cylinder 1A is indicated by the limit 1S1 and this is the initial condition required for a new cycle to commence.

Fig. 6.12
Function chart:
riveting process

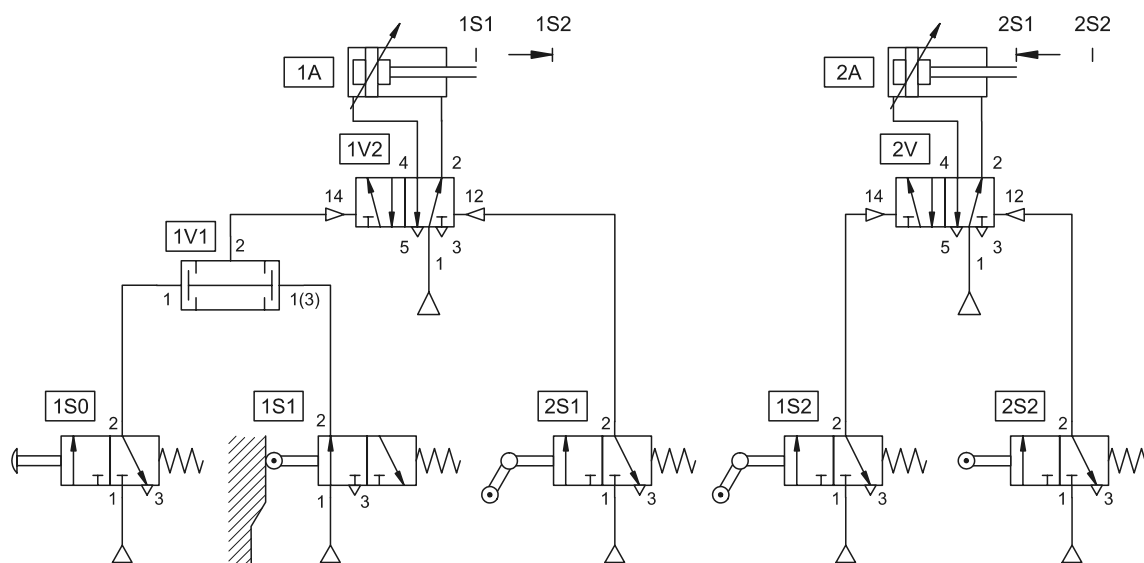


The circuit diagram shows signal flow and the relationship between components and the air connections. There is no mechanical layout representation with the circuit diagram.

Circuit diagram

The circuit is drawn with the energy flow from the bottom to the top. The various levels of a circuit include the energy source, signal inputs, signal processing, control elements and the actuators. The position of the limit valves are marked at the actuator. Components and lines are identified by the component numbering system and the port (way) connection numbers. These allow cross reference to the components on the actual machine and make the circuit readable.

Fig 6.13
Circuit diagram example



6.4 Development aspects

An important component in the transfer of power from the processor to the linear or rotary actuator is the directional control valve (DCV). The selection of the size and type of valve determines many of the operating characteristics of the actuator. The development in directional control valves is towards :

- Sub-base and manifold mounting with common supply and exhaust
- Directional control valves are optimised with respect to dead volume, actuating force and working loads. This results in fast switching of the valve.
- The housing interior is specially designed to achieve a high flow rate.
- Multiple function valves where characteristics are changed via wafer and seal variations
- Multiple valves in single unit construction
- Mounting of the DCV on the cylinder

The manifold mounted valves utilise a common supply port and exhaust ports. The exhausts can be tubed away separately or locally silenced as required. The compact and rigid mounting is suitable for a control cabinet construction.

Fig 6.14
Optimised individual valves
and valve terminals
a) Individual valve
b) Valve terminal



6.5 Modern pneumatic drives

In addition to standard cylinders, which continue to be important as a low-cost, versatile drive component, special cylinders are also gaining importance. With these drives, additional components such as guides and retainers are frequently attached directly to the cylinder housing. This results in benefits such as a smaller fitting space and reduced working loads. The reduced material, planning and assembly costs lead to a noticeable cost saving.

Multi-position cylinders are used for applications where more than two positions are to be approached. The following figure illustrates the mode of operation of a double-acting multi-position cylinder. One piston rod is attached to the frame, while the second is connected to the load. This type of cylinder can assume up to four different positions. In each case the cylinder is driven precisely against a stop.

Multi-position cylinders

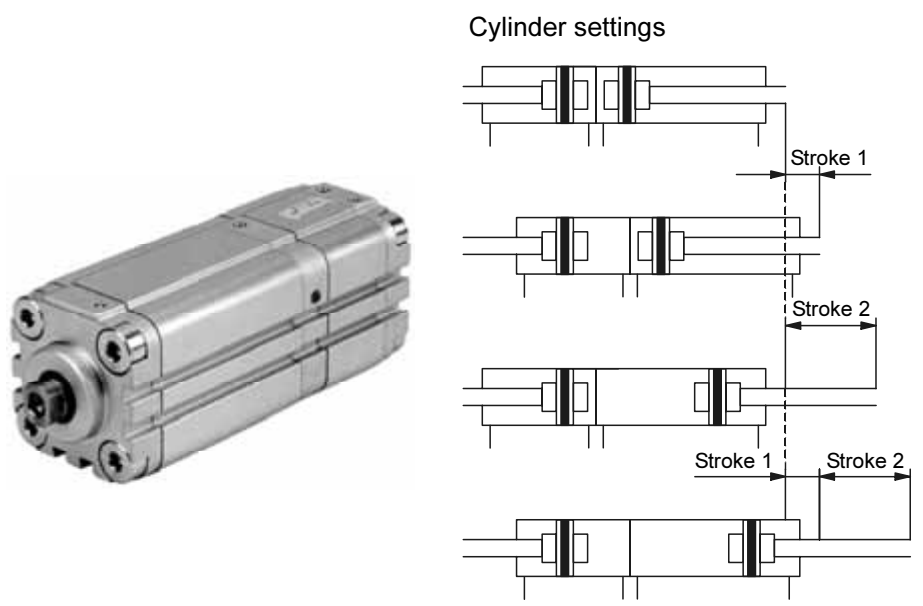


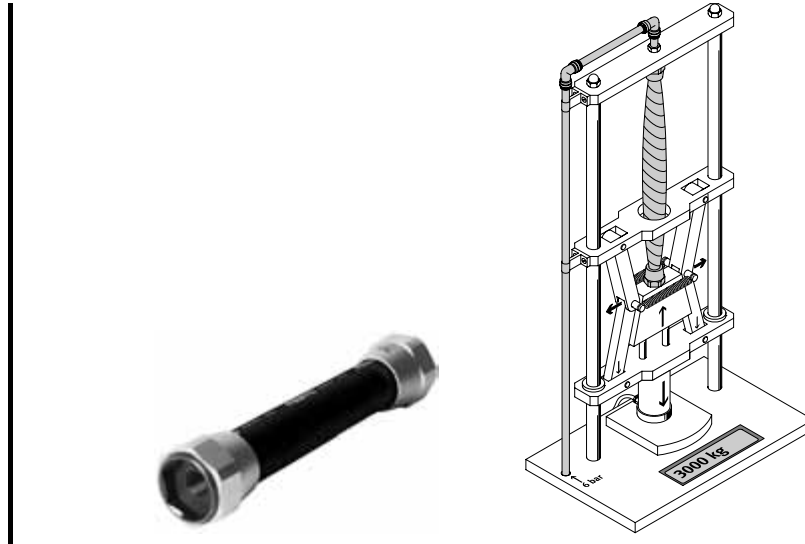
Fig. 6.15
Multi-position cylinders

Fluidic Muscle

The Fluidic Muscle is a membrane contraction system. An impervious, flexible tube is covered with tightly woven threads in a diamond-shaped pattern. This creates a three-dimensional grid structure. The air flowing inwards deforms the grid structure. A tensile force is generated in the axial direction, which causes a contraction of the muscle in the event of increasing internal pressure.

In the extended state, the Fluidic Muscle generates up to ten times more force than a conventional pneumatic cylinder and uses only 40% of the energy while offering the same force. A third of the diameter is sufficient for the same force, while the stroke is shorter for the same overall length.

Fig. 6.16
Application example with
the Fluidic Muscle

*Handling technology*

Handling and assembly operations frequently require components that can perform movements in two or three different directions. This sector was previously dominated by special designs. Today, standard handling modules that can be combined for specific applications are being used more and more.



Fig. 6.17
Application example with
handling modules

The swivel/linear drive can be used for the positioning of workpieces, for example. The bearing of the piston rod is designed so that it can support high lateral forces. The unit can be mounted in a number of different ways, e.g. with a flange on the front side or with slot nuts, which are inserted in the linear profile. If required, the energy for the gripper or the suction cup is supplied through the hollow piston rod.

Swivel/linear drive

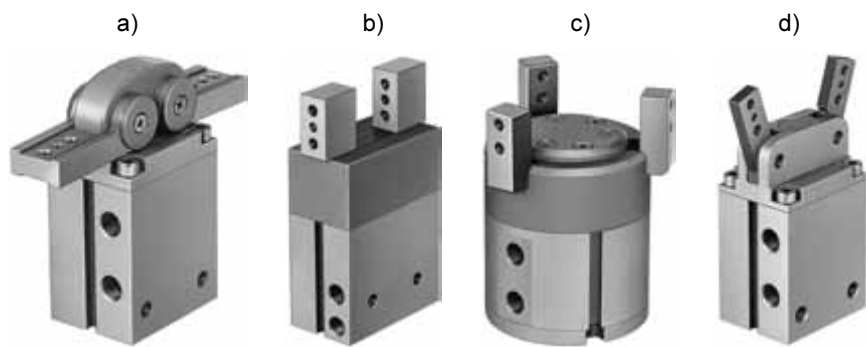


Fig. 6.18
Swivel/linear drive

Pneumatic grippers Handling equipment must have grippers for picking up, moving and releasing the workpiece. Grippers establish either a force-locking or a positive-locking connection with the part.

Figure 6.19 shows different gripper types. All gripper types have a double-acting piston drive and are self-centring. Contactless position sensing is possible with proximity sensors. External gripper fingers make the grippers suitable for a wide variety of applications.

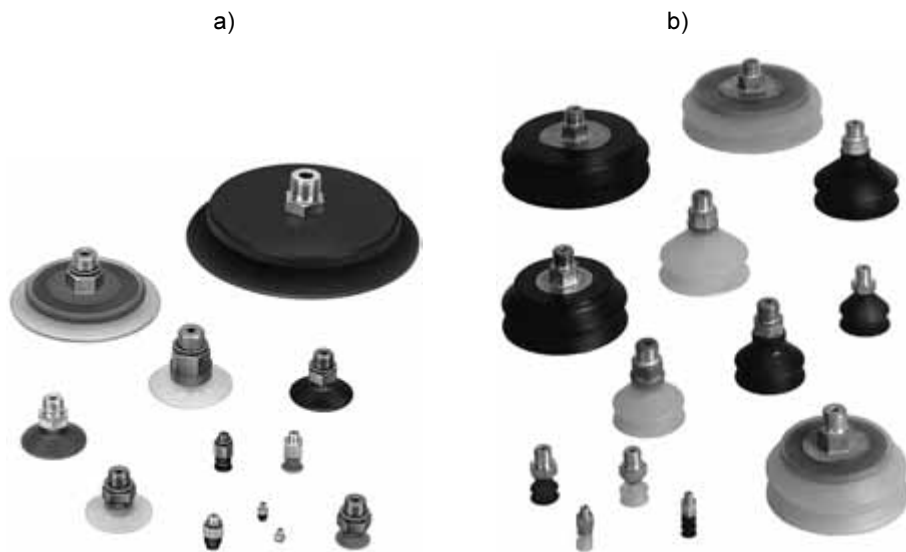
Fig. 6.19
Pneumatic grippers
a) Radial grippers
b) Parallel grippers
c) 3-point grippers
d) Angle grippers



Vacuum generators Handling with suction cups is generally a simple, low-cost and reliable solution.

Suction cups allow the handling of different workpieces with weights ranging from a few grammas right up to several hundred kilo grammas. They come in a wide variety of different shapes, such as universal, flat or bellows suction cups, for example.

Fig. 6.20
Vacuum generators
a) Flat suction cups
b) Bellows suction cups



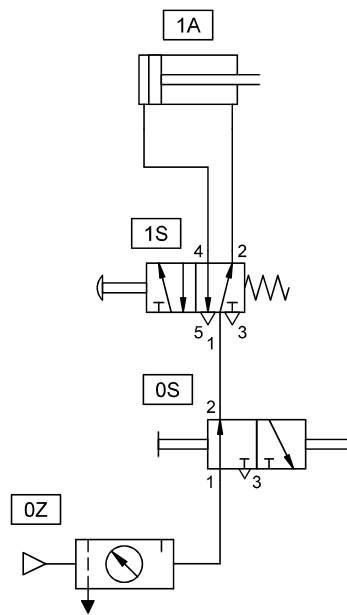
Section C

Solutions to the exercises in chapter 5

Exercise 1: Direct control of a double-acting cylinder

Problem definition A double-acting cylinder is to extend when a push button is operated. Upon release of the push button the cylinder is to retract. The cylinder is of small bore (25 mm diameter) requiring a small flow rate to operate at the correct speed.

Fig. 1
Circuit diagram
with 5/2-way valve



The following manually operated directional control valves can be used as control elements: Solution

- 5/2-way valve.
- 4/2-way valve

In the initial position, the valve is unactuated, pressure is applied at the piston rod side and the piston rod of the cylinder is retracted.

On operating the push button, the air passes through the valve from 1 to the 4 port and advances the piston rod. The displaced air flows to atmosphere via the ports 2 and 3. On release of the push button, the valve spring returns the control valve to its initial position and the cylinder retracts. Air returns from the cylinder via the exhaust port 5.

The push button is released, the direction of movement is immediately reversed and the piston rod retracts. It is therefore possible to change the direction of movement without the piston rod reaching its initial or end position.

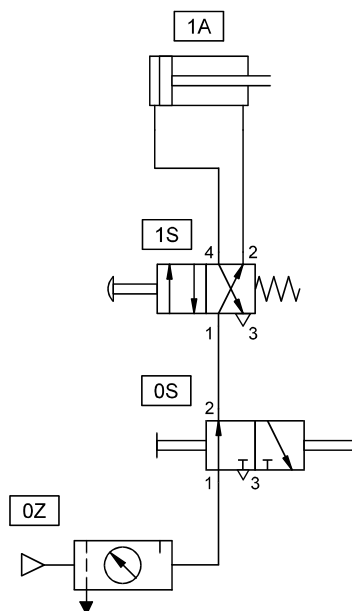
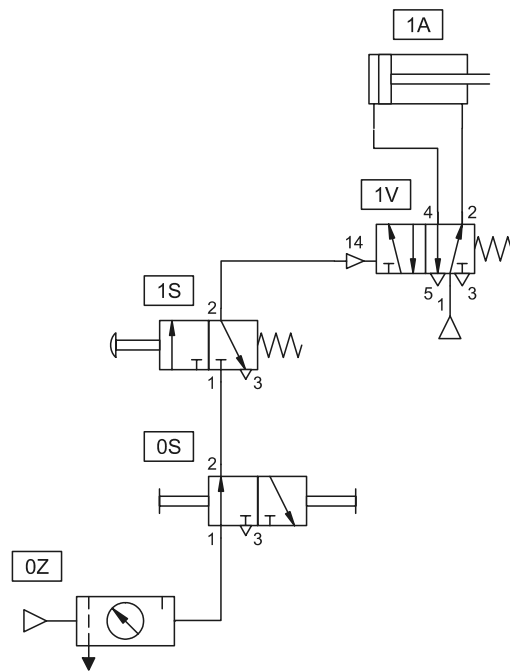


Fig. 2
Circuit diagram
with 4/2-way valve

Exercise 2: Indirect control of a double-acting cylinder

Problem definition A double-acting cylinder is to advance when a push button is operated. Upon release of the push button the cylinder is to retract. The cylinder is 250 mm in diameter and consumes a large volume of air.

Fig. 3
Circuit diagram
with 4/2-way valve



The logic AND operation of the output signals of valves 1S1, 1S2 and 1S3 is checked by the dual-pressure valves 1V1 and 1V2. *Solution*

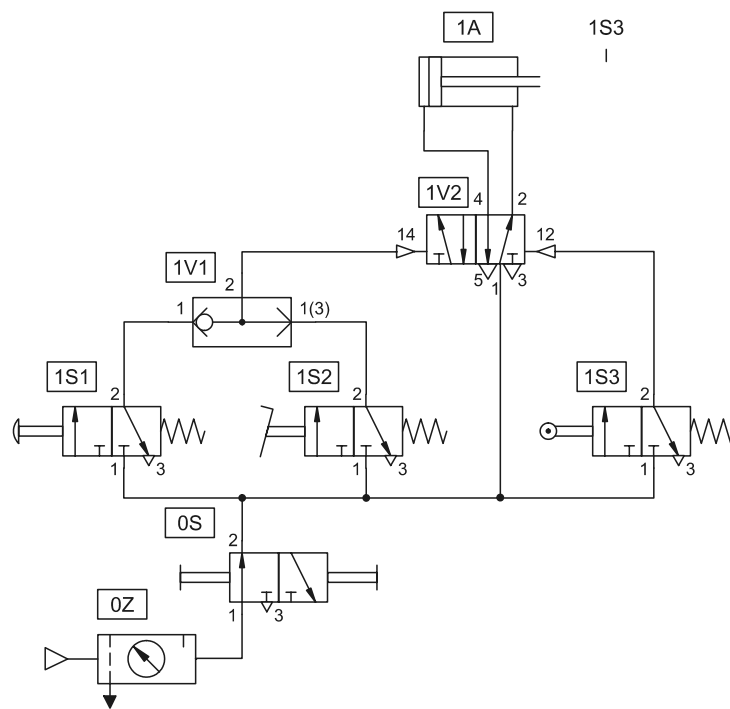
If the valves are actuated, i.e. 1S2 (via the workpiece), 1S3 (via the guard) and 1S1 (via the operator), a signal is applied at output A of the dual-pressure valve 1V2. This signal is passed on to the control port 14 of the control element 1V3. The valve 1V3 reverses, pressure is applied at the piston side of the cylinder 1A and the piston rod advances.

If the push button is released or the guard opened, this means that the AND conditions are no longer met. The control port 14 of the valve 1V3 is unpressurised. The valve 1V3 switches and the piston rod retracts.

Exercise 4: The logic OR function

Problem definition A double-acting cylinder is used to transfer parts from a magazine. If either a push button or a footpedal is operated, then the cylinder is to advance. Once the cylinder is fully advanced, it is to retract to the initial position. A 3/2-way roller lever valve is to be used to detect the full extension of the cylinder.

Fig. 6
Circuit diagram



The logic OR operation of the output signals of valves 1S1 and 1S2 is checked by the shuttle valve 1V1. *Solution*

Upon operation of either the push button of valve 1S1 or the pedal of valve 1S2, a signal is generated at the 1 or 1(3) side of the shuttle valve. The OR condition is met and the signal is passed to the control port 14 of the valve 1V2. The valve 1V2 switches, pressure is applied to the piston side of the cylinder 1A, and the cylinder advances.

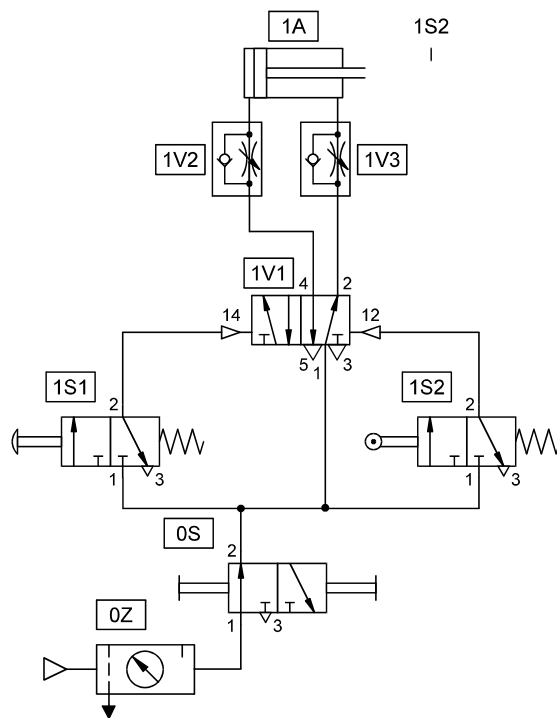
If the actuation (push button or pedal) of the valve is released, the signal at the control port of valve 1V2 is reset. Since valve 1V2 is a double pilot valve (with memory function), its switching position does not change. The limit switch 1S3 is actuated, when the piston rod reaches its end position. A signal is then applied at the control port 12 of the valve 1V2. The valve 1V2 reverses and the piston rod retracts.

If the limit switch 1S3 is released during retracting, the direction of movement can be changed by actuating the push button or the pedal, even if the piston rod has not yet reached its initial position.

Exercise 5: Memory circuit and speed control of a cylinder

Problem definition A double-acting cylinder is to be used to transfer parts from a magazine. The cylinder is to fully advance when a push button is operated and then retract automatically. Full extension is confirmed by a roller lever valve. The cylinder is to continue forward even if the push button is released before full extension is reached. The speed of the cylinder is to be adjustable in both directions of motion.

Fig. 7
Circuit diagram



The limit switch 1S2 is actuated, when the piston rod reaches its end position. If the push button 1S1 remains pressed in this status, a reversal of the valve 1V1 is not possible, since a signal is applied at both control ports 12 and 14. The first signal applied 14 is dominant. The signal at control port 12 is ineffective. The piston rod remains in the extended status. The piston rod cannot be retracted until the push button 1S1 has been released and the control port 14 becomes unpressurised.

Answer to question 1

If the roller lever valve 1S2 is fitted at the stroke mid-position, then the piston rod retracts again upon reaching this position. However, this is not possible unless the push button 1S1 has already been released again. If the push button 1S1 has not yet been released at this point, the piston rod overtravels the limit switch 1S2 and travels up to the cylinder stop. A return stroke is not possible unless the roller lever valve has been manually actuated or with the help of the manual override of the control element 1V1.

Answer to question 2

Both valves 1S1 and 1S2 are unactuated in the initial position. The switching position of the valve 1V1 is such that connections 1 and 2 and connection 4 and 5 are each interconnected. With this, pressure is applied at the piston rod side of the cylinder 1A and the piston rod remains in the retracted status.

Answer to question 3

If push button 1S1 is actuated, a signal is applied at the input 14 of the valve 1V1. The valve 1V1 switches, pressure is applied at the piston side of the cylinder 1A and the piston rod advances. Upon reaching the end position, the piston rod actuates the limit switch 1S2, and a signal is applied at the control port 12 of the valve 1V1. This reverses and the piston rod retracts.

Answer to question 4

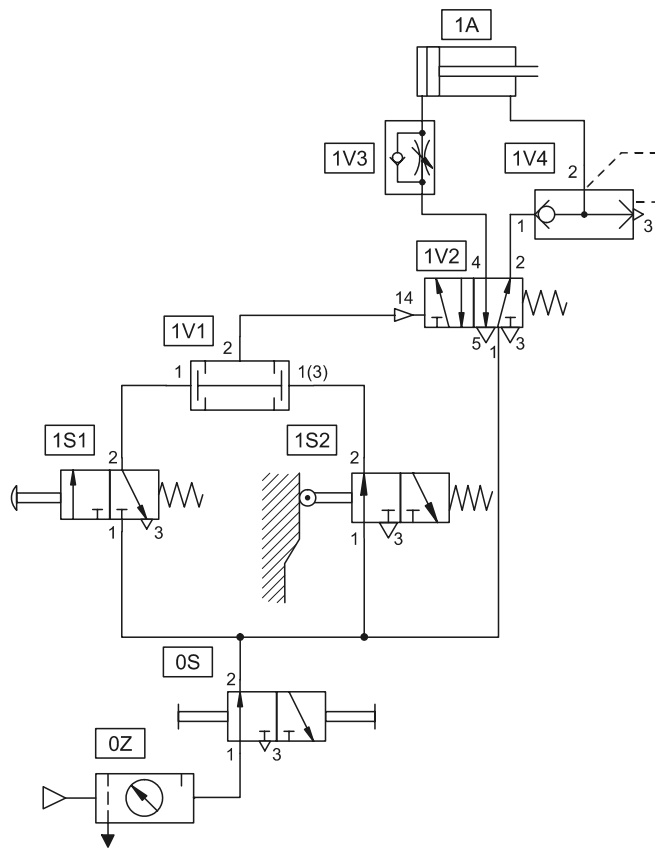
The speed of the piston rod is set via the adjusting screw on the flow control valves 1V2 and 1V3 (exhaust air flow control).

After each of the valves 1S1 and 1S2 has been released, the control ports become pressureless. The use of a double pilot valve (valve 1V1 has a memory function) ensures that the switching position does not change.

Exercise 6: The quick exhaust valve

Problem definition The combined actuation of a manually actuated valve and a roller lever valve advances a forming tool on an edge-folding device. The forming tool is driven by a double-acting cylinder. For rapid forward travel, the circuit utilises a quick exhaust valve. The retracting speed is to be adjustable. If either of the two valves are released, the tool returns to its initial position.

Fig. 8
Circuit diagram



In the initial position, the inserted workpiece actuates the roller lever valve 1S2. The quick exhaust valve 1V4 is closed to atmosphere, pressure is applied at the piston rod side of the cylinder 1A, and the piston rod remains in the retracted status.

Solution

If the start button 1S1 is actuated, a signal is applied at both inputs 1 and 1(3) of the dual-pressure valve 1V1. The AND condition is met and the signal is passed to the control port 14 of the control element 1V2. The valve 1V2 switches, pressure is applied to the piston side of the cylinder 1A, and the piston rod advances. As a result of the valve 1V2 reversing, input 1 of the quick exhaust valve 1V4 becomes pressureless. The air displaced on the piston rod side of the cylinder during advancing opens the quick exhaust valve and flows directly to atmosphere via the output 3. The flow resistance, created by the valve 1V2 and the lines against the displaced air, no longer applies. The piston rod is able to advance more rapidly.

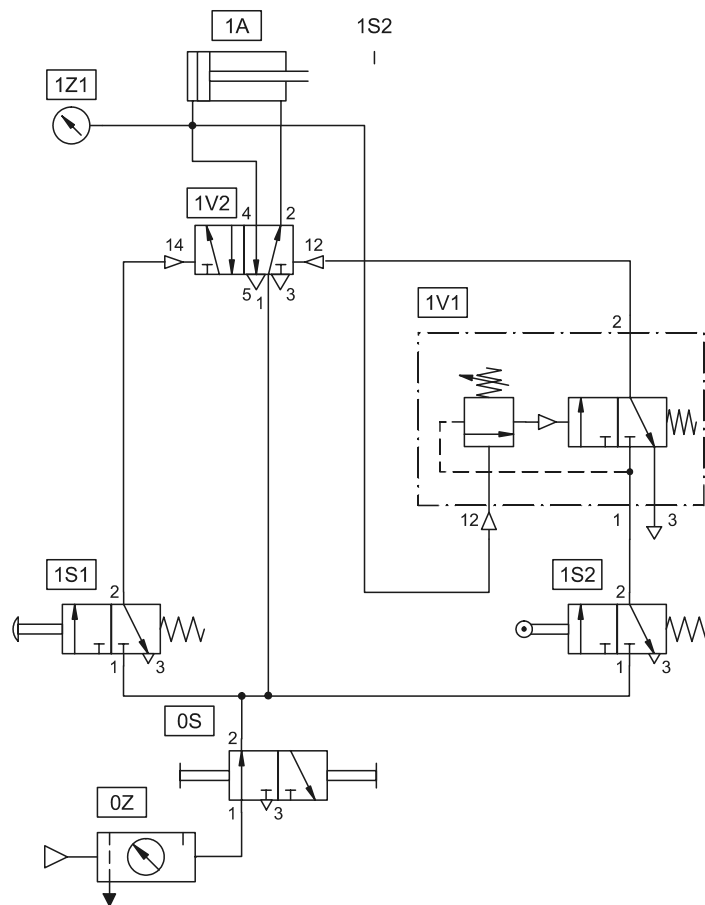
If one of the two valves 1S1 or 1S2 is released, the AND condition at the dual-pressure valve 1V1 is no longer met. The final control element 1V2 switches, the quick exhaust valve 1V4 closes and the piston rod retracts.

The retracting speed is set at the restrictor of the one-way flow control valve 1V3.

Exercise 7: Pressure dependent control; embossing of plastic components

Problem definition A plastic component is embossed using a die powered by a double-acting cylinder. The return of the die is to be effected when the cylinder rod has fully extended to the embossing position and the preset pressure is reached. A roller lever valve is is to be used to confirm full extension. The signal for retracting must only be generated when the piston rod has reached the embossing position. The pressure in the piston chamber is indicated by a pressure gauge.

Fig. 9
Circuit diagram



In the initial position, valves 1S1 and 1S2 are unactuated, pressure is applied at the piston rod side of the cylinder 1A and the piston rod remains in the retracted state. If necessary, the circuit needs to be put into its initial position with the help of the manual override on the control element 1V2. A signal is applied at the control port 14 of the control element 1V2, if the push button 1S1 is actuated. The valve 1V2 switches, pressure is applied at the piston side of the cylinder 1A, and the piston rod advances. If the push button 1S1 is released, the switching position of the double pilot valve 1V2 does not change due to its memory function.

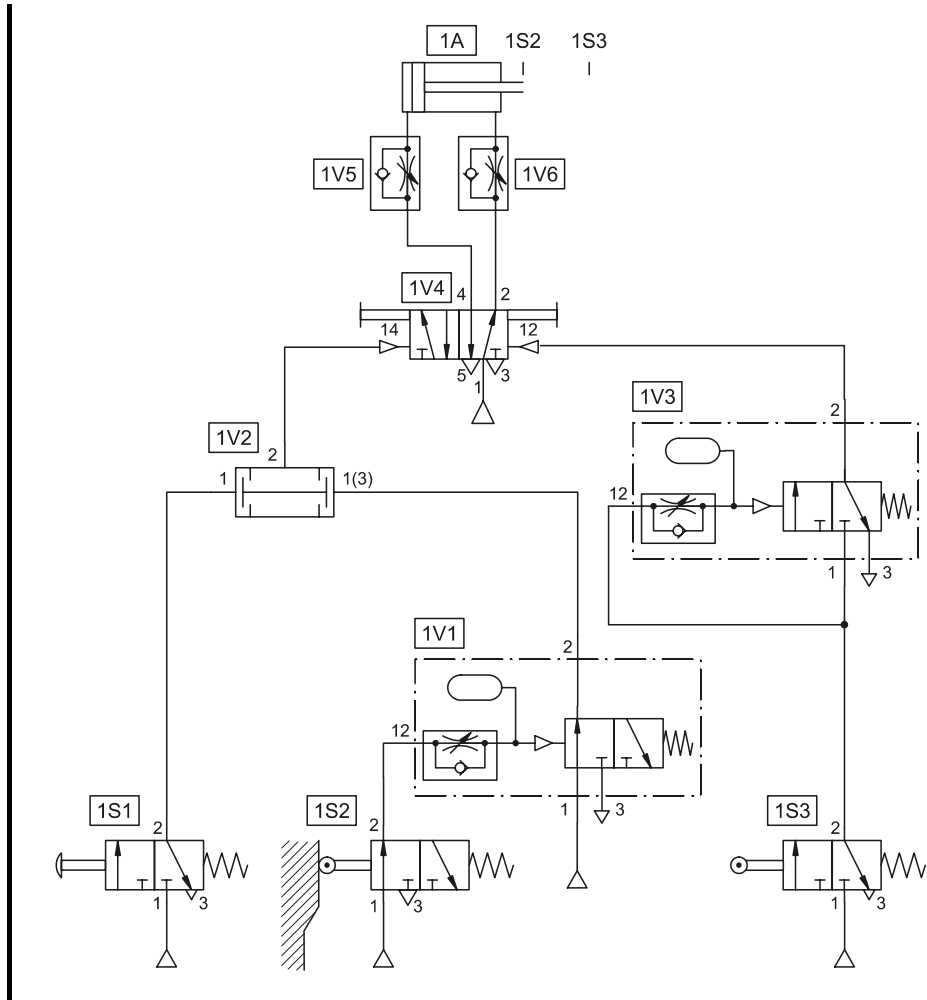
Solution

Just before reaching the forward end position (embossing position), the limit switch 1S2 is actuated. The actuated roller lever valve 1S2 releases the pressure line 1 to the pressure sequence valve 1V1. During the embossing process, the pressure on the piston side starts to increase. The indicator of the pressure gauge turns to the right. When this pressure reaches the value set at the control port 12 of the pressure sequence valve, the 3/2-way valve of the pressure sequence valve switches. The control element 1V2 reverses and the piston rod retracts. During the retracting movement, the limit switch 1S2 is released and the signal at the control port 12 of the valve 1V2 is reset and the pressure sequence valve is also reset.

Exercise 8: The time delay valve

Problem definition A double-acting cylinder is used to press together glued components. Upon operation of a push button, the clamping cylinder slowly advances. Once the fully extended position is reached, the cylinder is to remain for a time of $t_1 = 6$ seconds and then immediately retract to the initial position. A new start cycle is only possible after the cylinder has fully retracted and after a delay of $t_2 = 5$ seconds. During this delay the finished part is manually removed and replaced with new parts for gluing. The retracting speed is to be rapid, but adjustable.

Fig. 10
Circuit diagram



In the initial position, the roller lever valve 1S2 is actuated by the piston rod and the time delay valve 1V1 is switched through, i.e. the working port 2 supplies a signal. The piston rod side of the cylinder 1A is pressurised and the piston rod remains in the retracted state. The following start condition must apply:

- Roller lever valve 1S2 is actuated
- Time delay valve 1V1 is switched through
- Start button is actuated

Solution

If the roller lever valve 1S2 is actuated for a sufficiently long time period ($t_1 = 5$ seconds), then the air reservoir of the time delay valve 1V1 is filled and the corresponding 3/2-way valve is switched, following which a signal is applied at input 1(3) of the dual-pressure valve 1V2.

If the push button 1S1 is actuated, the AND condition at the dual-pressure valve is met. A signal is applied at the control port 14 of the control element 1V4. The valve 1V4 switches, pressure is applied to the piston side of the cylinder 1A and the piston rod advances. After a short advancing distance, the limit switch 1S2 is released, pressure is reduced in the air reservoir of the time delay valve 1V1 via the roller lever valve 1S2, and the integrated 3/2-way valve switches back to its initial position. The AND condition at the dual-pressure valve is now no longer met. Actuation of the push button 1S1 becomes ineffective.

Upon reaching the advancing position, the piston rod actuates the roller lever valve 1S3. The pressure line to the time delay valve 1V3 is now released and pressure in the air reservoir is increased. The rate of pressure increase is adjustable via the integrated flow control valve. When the switching pressure has been reached, the integrated 3/2-way valve switches and a signal is applied at the control port 12 of the final control element 1V4. The valve 1V4 reverses and the piston rod retracts. Upon release of the limit switch 1S3, the time delay valve 1V3 switches to its initial position again.

The limit switch 1S2 is actuated, when the piston rod reaches its initial position. The pressure in the air reservoir of the time delay valve 1V1 starts to increase until the switching pressure has been reached after $t_2 = 5$ seconds. The integrated 3/2-way valve switches. The initial status of the system is now reached again and a new cycle can be started.

The piston rod speed is set at the restrictors of the one-way flow control valves 1V5 and 1V6 (exhaust air flow control).

List of standards and references

<i>List of Standards</i>	DIN/EN 292-1	Safety of machinery – Basic concepts, general principles of design – Part 1: Basic terminology, methodology
	DIN/EN 292-2	Safety of machinery – Basic concepts, general principles of design – Part 2: Technical principles and specifications
	DIN/EN 418	Safety of machinery – Emergency stop equipment, functional aspects – Principles for design
	DIN/EN 983	Safety of machinery – Safety requirements for fluid power systems and their components – Pneumatics
	DIN/ISO 1219-1	Fluid power systems and components – Graphic symbols and circuit diagrams – Part 1 and Part 2
	ISO/DIS 11727	Pneumatic fluid power – Identification of ports and control mechanisms of control valves and other components (port designations for pneumatic equipment)
	DIN 1343	Reference conditions, standard conditions, standard volumes, concepts and values
	DIN 24558	Pneumatic systems, design principles
	DIN 40719	Circuit documents (IEC 848 modified); Part 6: Rules for function charts
	DIN/EN 60073	Coding of indicating devices and actuators (VDE 0199) by colours and supplementary means
	DIN/EN 60617-8	Graphical symbols for diagrams (IEC 617-8) Part 8: Measuring instruments, lamps and signalling devices

- Eberhardt, H.-J., Scholz, D. Servo-pneumatic positioning, Workbook Festo Didactic, Esslingen 2000 *List of References*
- Gerhartz, J., Scholz, D. Closed-loop control pneumatics, Workbook Festo Didactic, Esslingen 2001
- Gevatter, H.-J. Automatisierungstechnik 2, Geräte Springer Verlag, Berlin Heidelberg 2000
- Prede, G., Scholz, D. Elektropneumatics, Basic level, Textbook Festo Didactic, Esslingen 2001
- Stoll, K.: Pneumatische Steuerungen Vogel Verlag, Würzburg 1999
- Stoll, K.: Pneumatik Anwendungen Vogel Verlag, Würzburg 1999

Index

	Subject	Page
	2/2-way valve	181
	3/2-way valve	181
	4/2-way valve	193
	4/3-way valve	195
	5/2-way valve	197
	5/3-way valve	200
A	Absorption drying	139
	Adsorption dryers	138
	Actuators	34
	Advantageous characteristics of compressed air	15
	Air compressor	131
	Air distribution	24, 141
	Air dryers	136
	Air filter	26, 144
	Air lubricator	26, 149
	Air motor	176
	Air reservoir	134
	Air preparation equipment	144
	Air supply	24, 129
	Analogue control	229
	Analysis of problem	65
	Applications	11
	Asynchronous control	230
B	Binary control	229
C	Cylinder performance characteristics	170
	Chain sequence control	240
	Characteristics of air	126
	Check valves	204
	Circuit diagram	56, 116, 238

Subject	Page	
Clamping devices	51	
Combinational valves	218	
Comparison of media	16, 224	
Components	23	
Compressor	131	
Compressed air regulators	147	
Condensate	119, 144	
Control chart	234	
Control circuits - Systems	35	
Control medium criteria	17	
Control system development	55, 231	
Control theory	227	
Coordinated motion	101, 231	
Derived elements	40	<i>D</i>
Derived units	124	
Design process	65	
Designating the elements	62	
Designations	40	
Dew point	136	
Diagnostics	117	
Diaphragm	147	
Diaphragm compressor	131	
Diaphragm cylinder	157	
Diaphragm valve	212	
Digital control	229	
DIN ISO5599-3	44	
Direct control of a pneumatic cylinder	68	
Directional control valves	27, 179	
Disc seat	180	
Displacement-step diagram	103, 232	
Distinguishing features	15	
Documentation	116, 231	
Double-acting cylinder	158	
Double piston rod	160	
Dry compressed air	129	
Dryers	136	
Dual pressure valve: AND function	205	

	Subject	Page
<i>E</i>	Emergency stop	51
	End position cushioning	159
	Environmental pollution	52
	Energy	129
	Exhaust silencers	52
	Evaluation	65
<i>F</i>	Fault finding	117
	Filters	144
	Fitting of valves	201
	Flow compressors	132
	Flow control elements	180
	Flow control valves	30, 211
	Flow resistances	141
	Fluid muscle	242
<i>G</i>	Gear motors	177
	Gripper, pneumatic	244
<i>H</i>	Handling technology	242
<i>I</i>	Idle roller lever valve	192
	Implementation	65
	Indicators	178
	Indirect control of a pneumatic cylinder	72
	Input element	58
<i>J</i>	Junction elements	205
<i>L</i>	Lettering system	44
	Linear actuators	49
	Linear motion	155
	Logic control	230
	Longitudinal slide valve	197
	Lubrication	149

Subject	Page		
Maintenance	120, 147	<i>M</i>	
Malfunctions	51, 118		
Manifold mounting of valves	240		
Memory control system	227		
Methods of actuation	45		
Modular systems	240		
Motors	176		
Mounting of roller valves	201		
Mounting of cylinders	169		
Multiple actuators	102		
Multi-position cylinder	241		
Noise pollution	16, 52		<i>N</i>
Non-return elements	47		
Non-return valves	27, 203		
Oil mist	53	<i>O</i>	
Oil removal	151		
Operational safety	53		
Optical indicators	178		
Optimum pressures	130		
Over-lubrication	149		
Pilot control system	227	<i>P</i>	
Pipe material	142		
Pipe layout	143		
Piston force	170		
Piston motors	176		
Plastic pipes	142		
Pneumatics and control system development	18		
Pneumatic elements	23		
Pneumatics in review	12		
Poppet valves	180		
Positional sketch	231		
Power components	34, 58		
Pressure control valves	27, 48, 215		
Pressure level	24, 131		
Pressure regulator	24, 130		
Pressure regulator with/without vent hole	148		
Pressure sequence valve	31, 217		
Principles of air	124		
Processors: Valves and logic elements	33		
Product development	18		

	Subject	Page
Q	Quick exhaust valve	209
R	Reciprocating compressor	131
	Reliable operation of valves	201
	Reservoirs	134
	Ring main	143
	Riveting process	237
	Rodless cylinder	164
	Roller lever valve	28, 190
	Rotary actuators	50, 163
	Rotary motion	156
	Rotary piston compressor	132
S	Safety requirements for pneumatic clamping devices	51
	Seals	144, 165
	Servo-controlled	190
	Selection criteria for working media	17
	Selection and comparison of media	224
	Sequence control	227
	Sequence valves	217
	Setting pressure regulator	148
	Shut-off valves	211
	Shuttle OR valve	207
	Signal flow	57
	Signal overlap	107
	Single-acting cylinder	34, 156
	Sizing pipe	141
	Slide valves	180
	Sliding-vane motors	177
	Standards	39
	Static output devices	155
	Structure	19
	Supply air throttling	213
	Swivel/linear drive	243
	Synchronous control	230
	Symbols and descriptions of components	40
	System upgrade	66
	Systems: Control circuits	35

Subject	Page	
Tandem double-acting cylinder	160	<i>T</i>
Throttle valve	211	
Time delay valve	32, 219	
Time-dependent sequence	230	
Trouble-shooting in pneumatic systems	115	
Turbine motors	177	
Utilisation factor	147	<i>U</i>
Vacuum generator	244	<i>V</i>
Vent hole	148	

<i>Physical values and units</i>	l	Length	m
	m	Mass	kg
	t	Time	s
	T	Temperature	K
	F	Force	N
	A	Area	m ²
	V	Volume	m ³
	q _v	Volumetric flow rate	m ³ /s
	p	Pressure	bar (Pa)
	A	Piston surface	m ²
	A'	Annular surface	m ²
	d	Piston rod diameter	m
	D	Cylinder diameter	m
	F _{eff}	Effective piston force	N
	F _F	Force of retract spring	N
	F _R	Friction force	N
	F _{th}	Theoretical piston force	N
	n	Number of strokes per minute	1/min
	p _{abs}	Absolute pressure	bar (Pa)
	p _{amb}	Ambient pressure	bar (Pa)
	p _e	Excess or vacuum pressure	bar (Pa)
	Δp	Differential pressure	bar (Pa)
	q _B	Air consumption	l/min
	q _H	Air consumption per cm of stroke	l/cm
	q _L	Delivery quantity	m ³ /min
	q _n	Nominal flow rate	l/min
	s	Stroke length	cm
	t	Centigrade temperature	°C
	V _B	Reservoir size	m ³
	z	Switching cycles per hour	1/h
	T _n	Standard temperature	T _n = 273.15 K, t _n = 0 °C
	p _n	Standard pressure	p _n = 101325 Pa