

Design

The time delay valve is mounted on a function plate which has been equipped with the required push-in fittings. The unit is mounted on the profile plate via a quick release detent system with blue lever (mounting alternative "A").

Function

The time delay valve is actuated by a pneumatic signal at port 12 after a preset time delay has elapsed. It is returned to the normal position via return spring when the signal is removed. The time delay is infinitely adjustable by means of a regulating screw. The time delay is reset automatically within 200 ms.

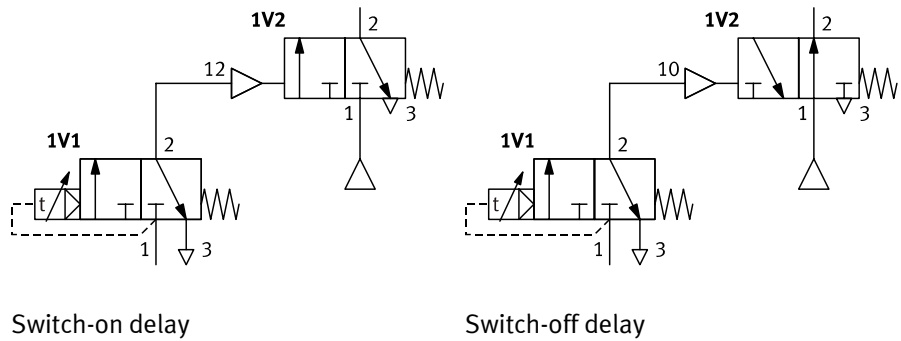
Note

The valve ports are identified by numerals:

- 1 = Air supply port
- 2 = Working port
- 3 = Exhaust port

540694

Time delay valve, normally closed



Switching variants for the time delay valve: combination of time delay valve and 3/2-way pneumatic valve

Technical Data

Pneumatic	
Medium	Compressed air, filtered (lubricated or unlubricated)
Design	Poppet valve with return spring
Pressure range	200 to 600 kPa (2 to 6 bar)
switch-on pressure	>160 kPa (1.6 bar)
Standard nominal flow rate 1...2	50 l/min
Delay time	0.2 to 3 s (adjustable)
Setting accuracy	±0.3 ms
Time delay to reset	>200 ms
Connection	QSM-M5-4-I fittings for plastic tubing PUN 4 x 0.75