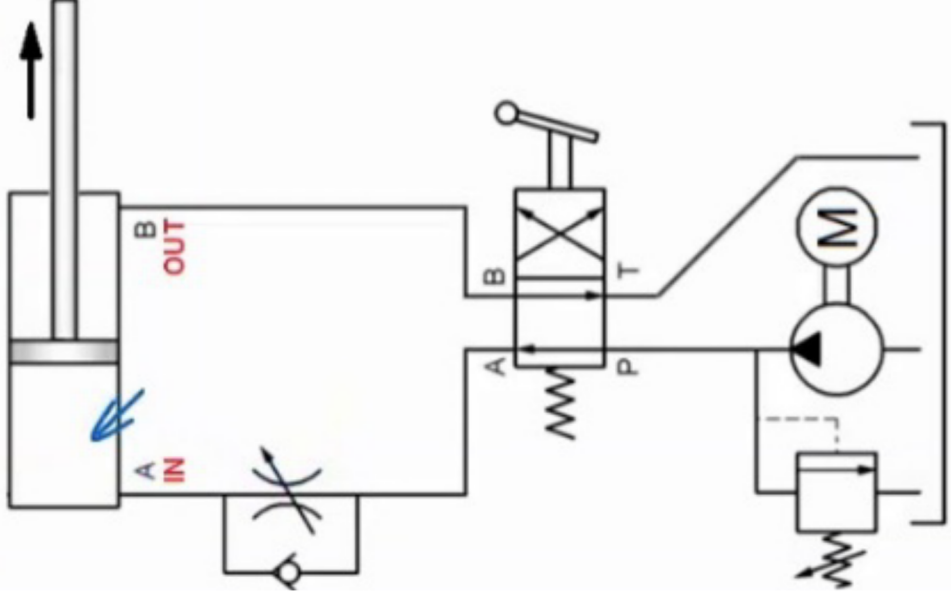
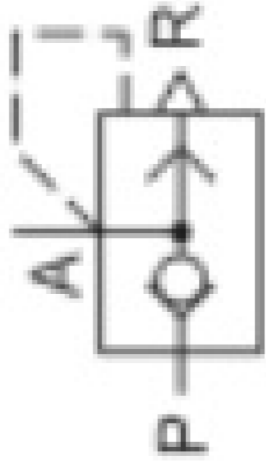


# PROCESSING ELEMENT 1

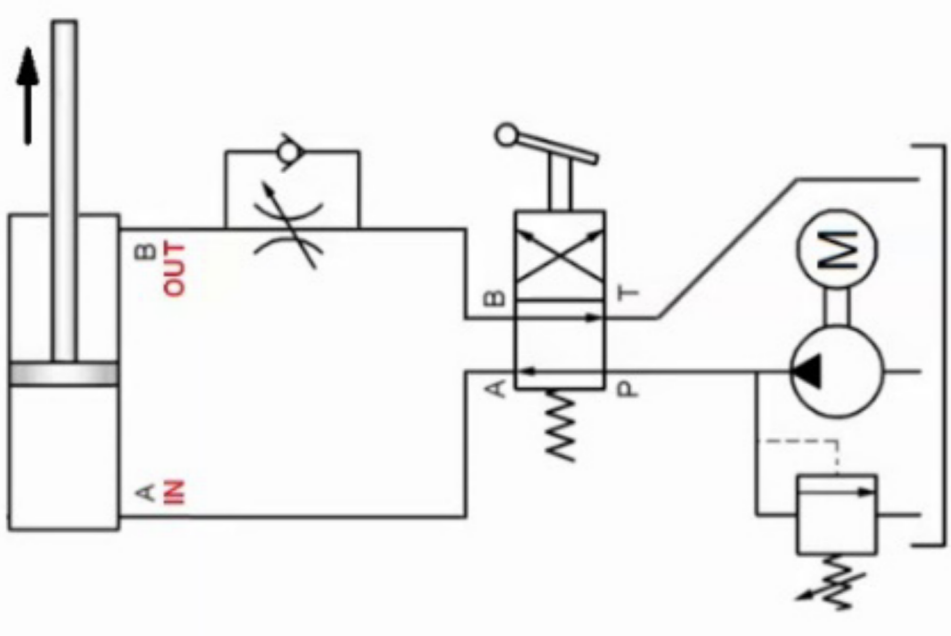
One-way flow control valve



Quick exhaust valve



Meter-in for Extension  
Uncontrolled for Retraction

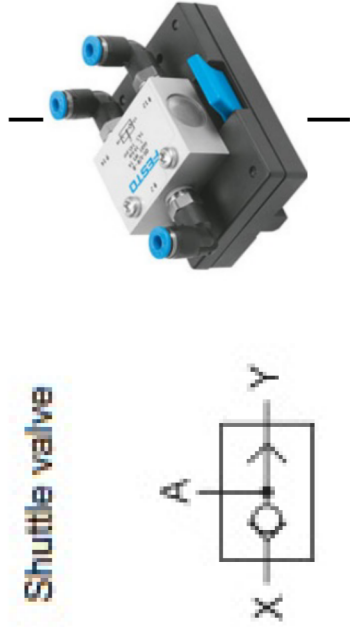


Meter-out for Extension  
Uncontrolled for Retraction

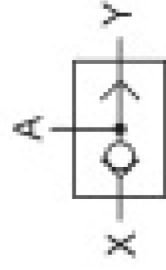
Pneumatic

# PROCESsing ELEMENT 2

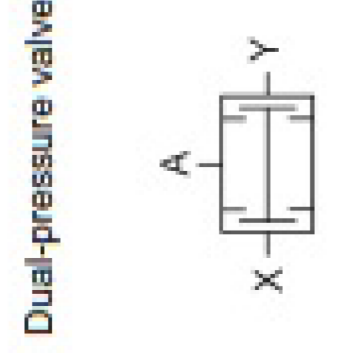
OR



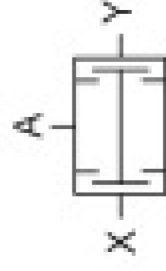
Shuttle valve



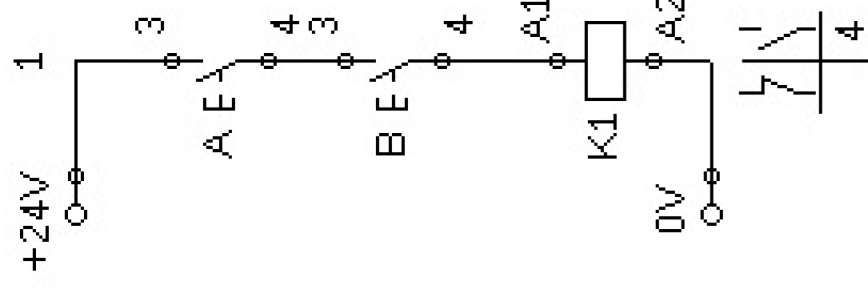
AND



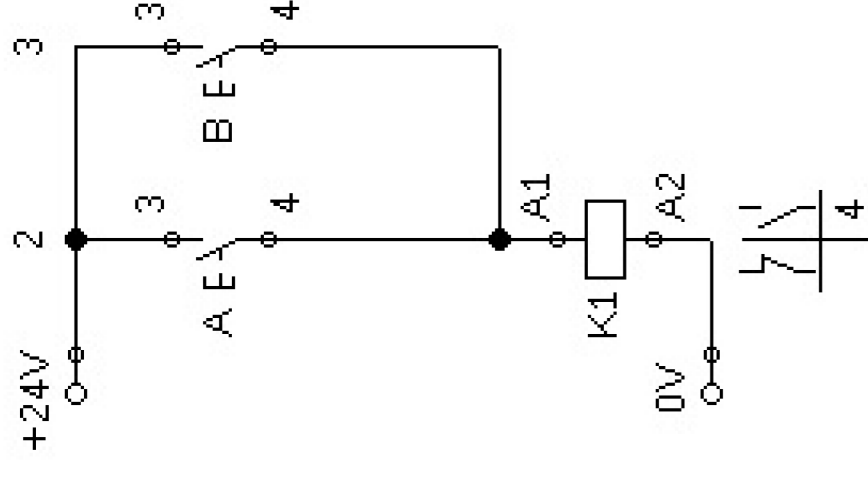
Dual-pressure valve



AND



OR



AND

A	B	$A \wedge B$
True	True	True
True	False	False
False	True	False
False	False	False

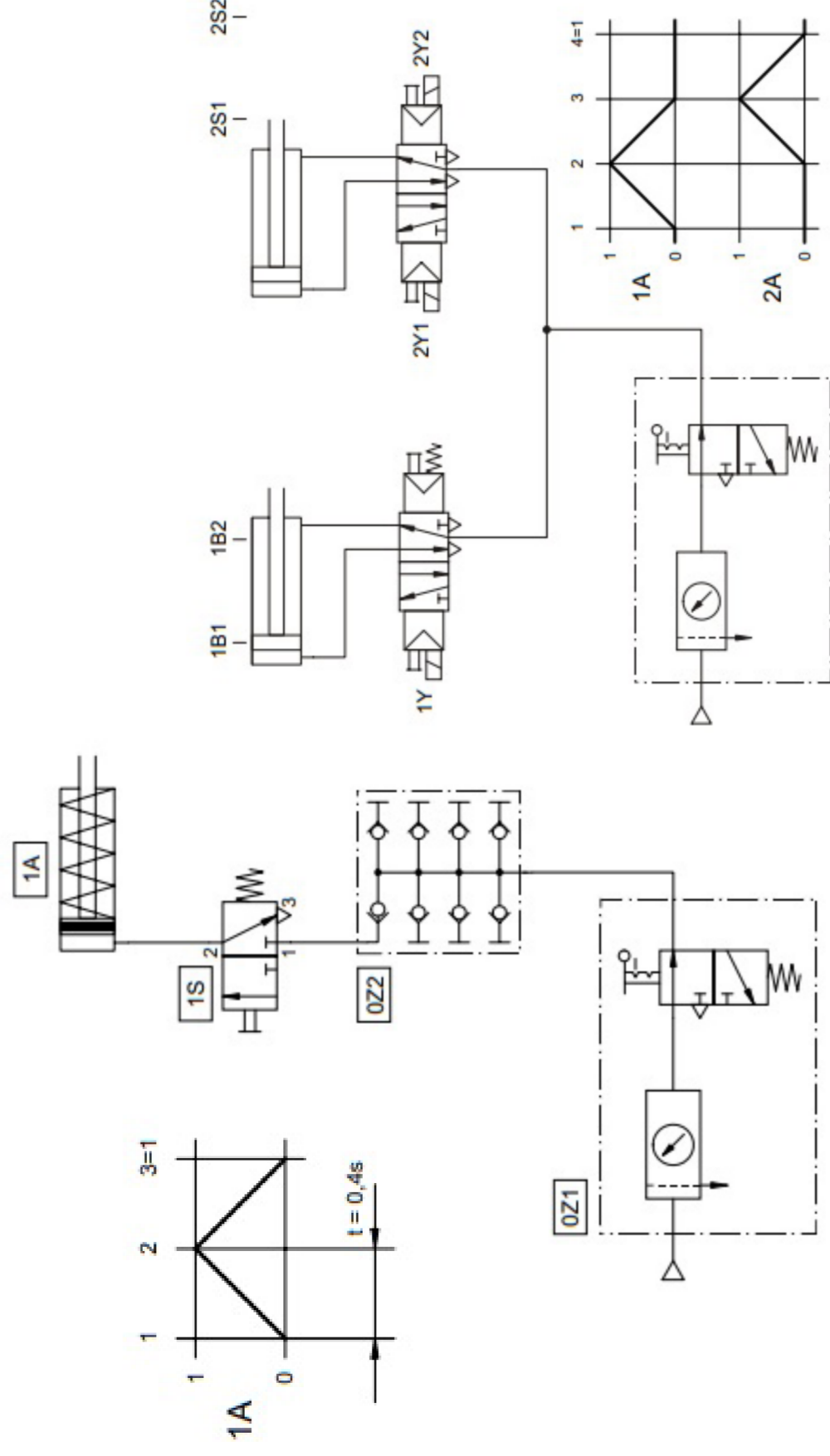
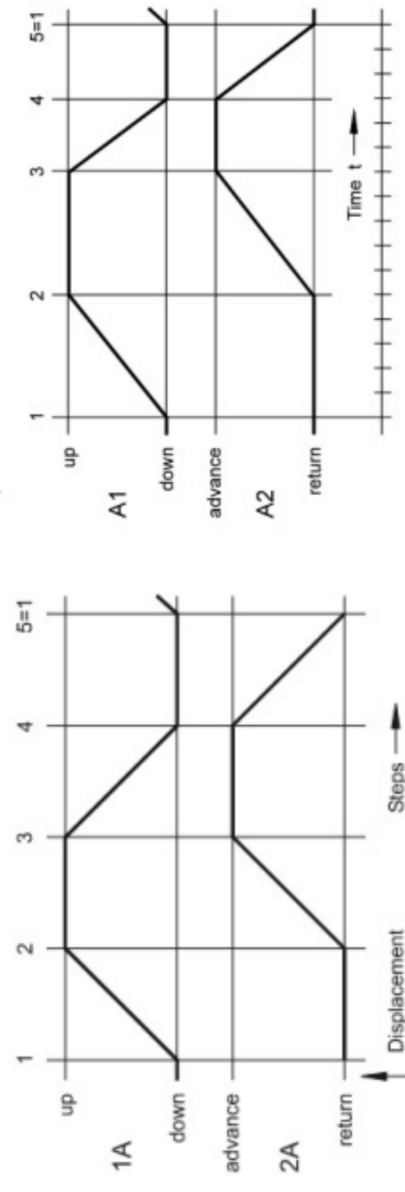
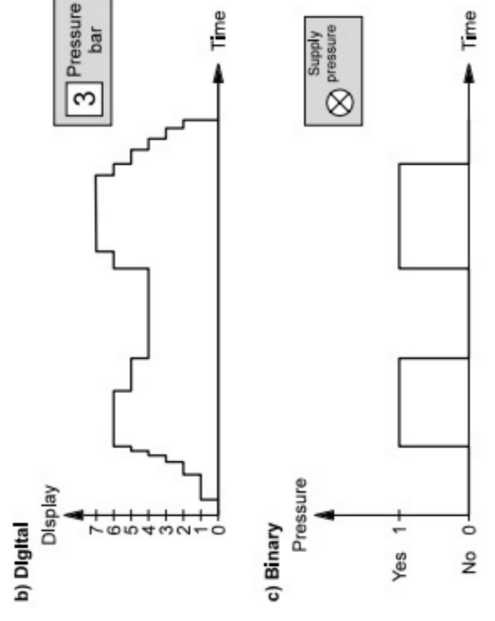
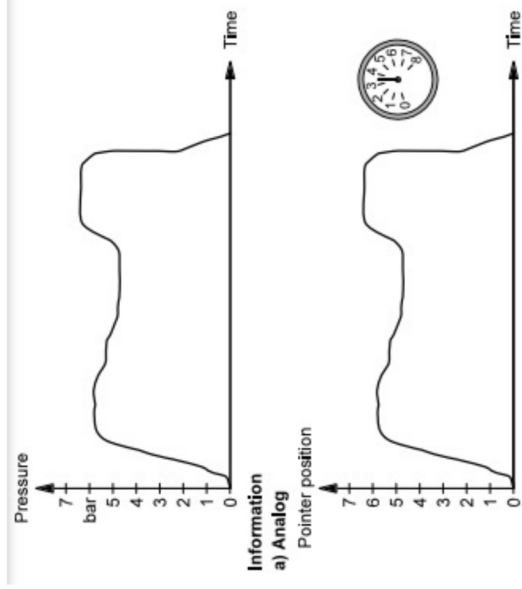
OR

A	B	$A \vee B$
True	True	True
True	False	True
False	True	True
False	False	False

Pneumatic

Electropneumatic

# Grafik Pergerakan Pneumatic



# PRAKTIKUM 1