

1

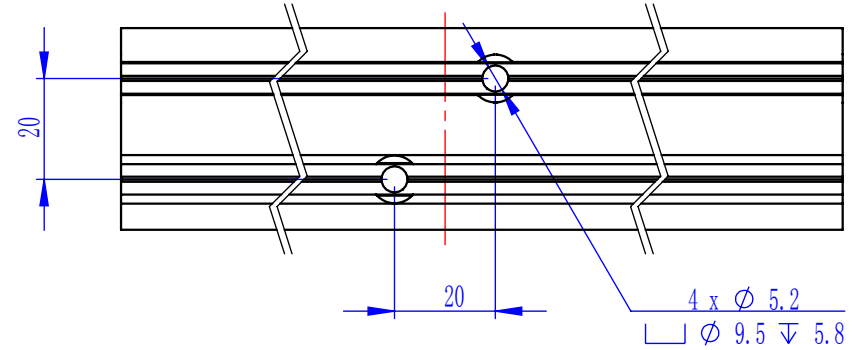
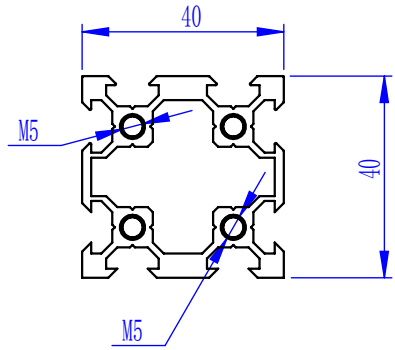
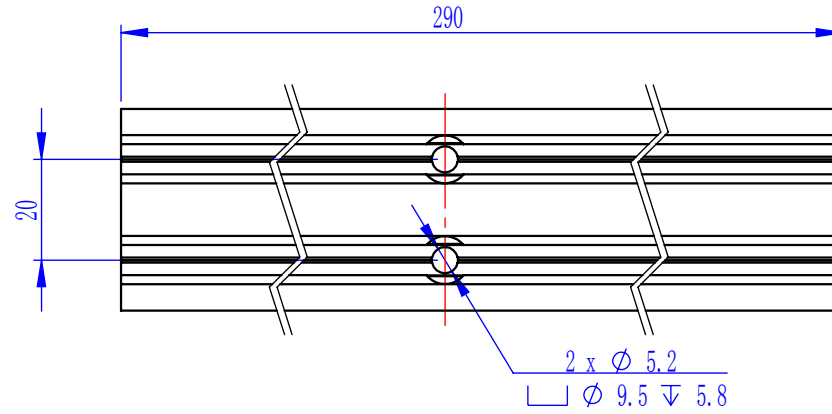
2

3

4

REV.	DATE	REVISION ORIGINOR	SIGN	ISSUED
Ⓐ				
Ⓑ				

b



a

www.cxsw3d.com

Surface Treatment: Black anodized

APPROVALS		DATE	 深圳市创想三维科技有限公司 SHENZHEN CREALITY 3D TECHNOLOGY CO.,LTD	
DRAWN			PART NAME	MATERIAL
CHECKED				
ISSUED			DRAWING NO.	SIZE A4
General Tolerance Reference GB/T 1804-m			4040 profile	SCALE 1:1.5
				REV. A SHEET 1 OF 3