

1

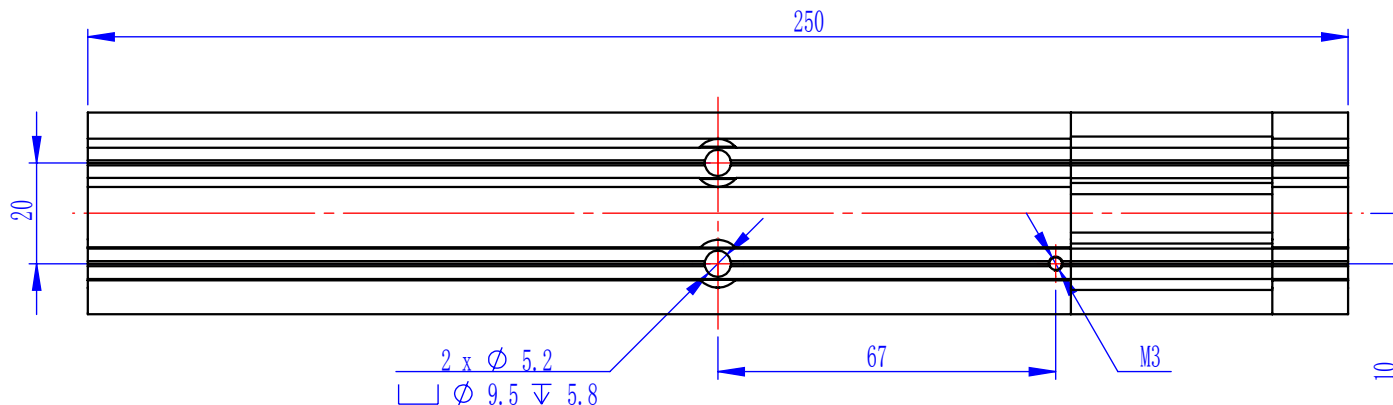
2

3

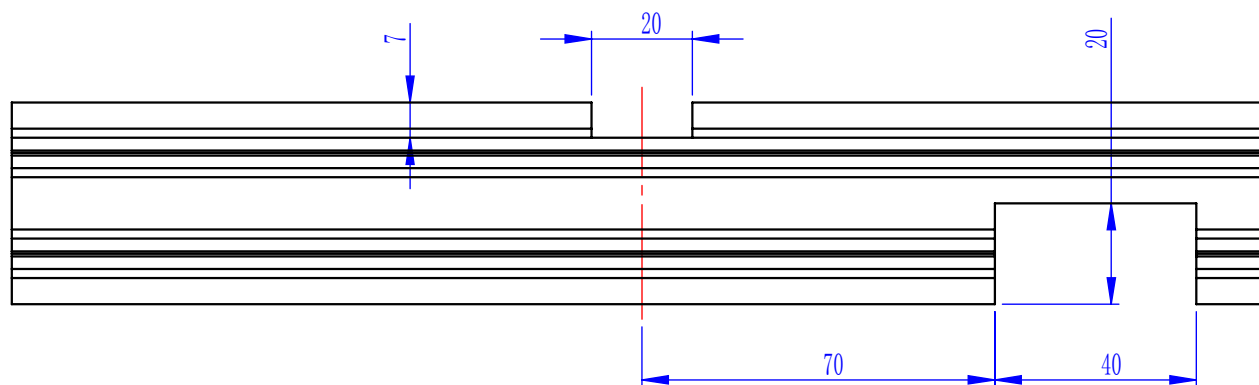
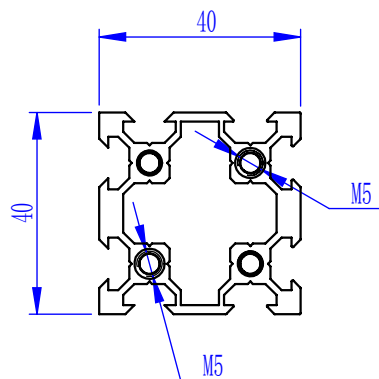
4

REV.	DATE	REVISION ORIGINOR	SIGN	ISSUED
Ⓐ				
Ⓑ				

b



a



[www.cxsw3d.com](http://www.cxsw3d.com)

Surface Treatment: Black anodized

APPROVALS	DATE	 深圳市创想三维科技有限公司 SHENZHEN CREALITY 3D TECHNOLOGY CO.,LTD			
DRAWN			PART NAME	MATERIAL	
CHECKED		4040 Central Profile			
ISSUED		DRAWING NO.	SIZE	SCALE	REV.
General Tolerance Reference GB/T 1804-m		4040 profile	A4	1:1.5	A
			UNIT: MM	SHEET 3 OF 3	