

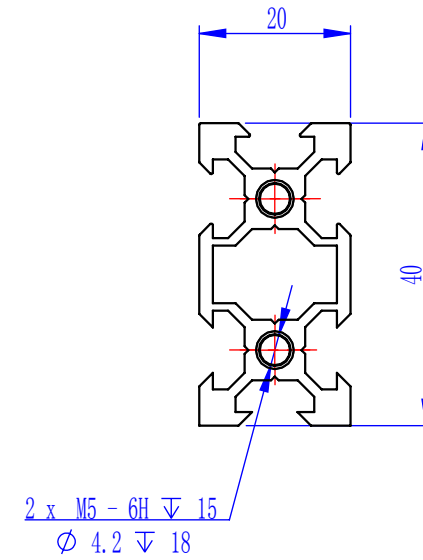
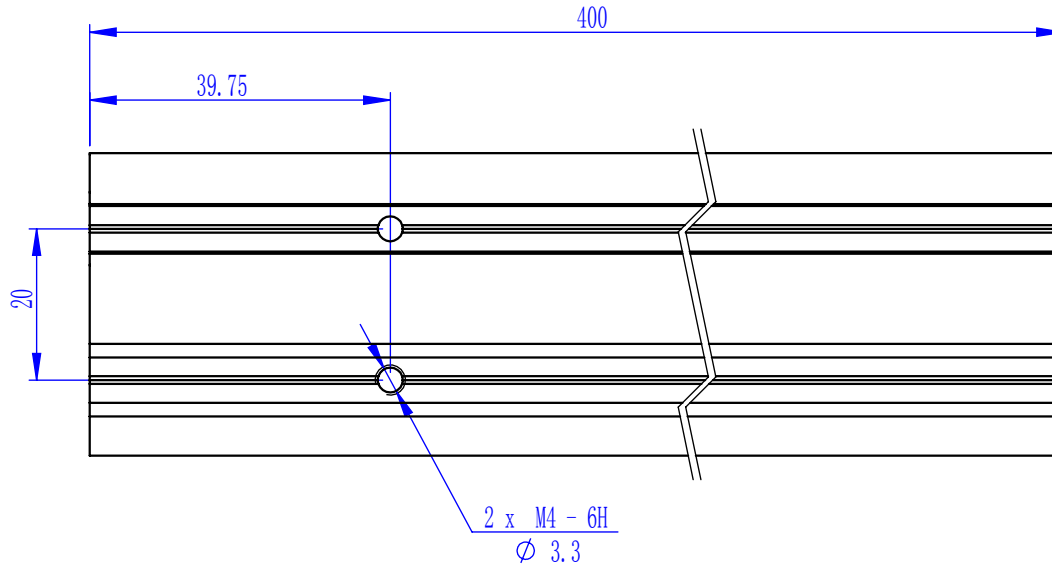
1

2

3

4

REV.	DATE	REVISION ORIGINOR	SIGN	ISSUED
Ⓐ				
Ⓑ				



b

a

www.cxsw3d.com

APPROVALS		DATE	 深圳市创想三维科技有限公司 SHENZHEN CREALITY 3D TECHNOLOGY CO.,LTD							
DRAWN			PART NAME 2040 Left Profile	MATERIAL  						
CHECKED										
ISSUED										
General Tolerance Reference GB/T 1804-m			DRAWING NO. 2040 profile	<table border="1"> <tr> <td>SIZE A4</td> <td>SCALE 1:1</td> <td>REV. A</td> </tr> <tr> <td colspan="2">UNIT: MM</td> <td>SHEET 1 OF 3</td> </tr> </table>	SIZE A4	SCALE 1:1	REV. A	UNIT: MM		SHEET 1 OF 3
SIZE A4	SCALE 1:1	REV. A								
UNIT: MM		SHEET 1 OF 3								

Surface Treatment: Black anodized