

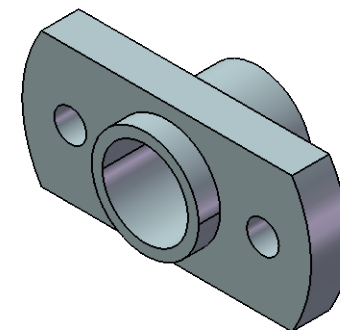
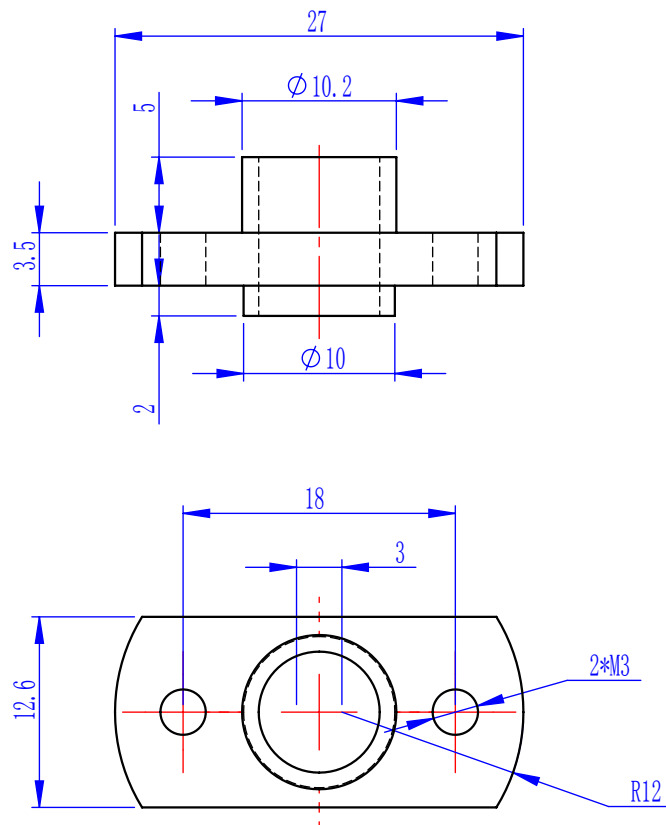
1

2

3

4

REV.	DATE	REVISION ORIGINOR	SIGN	ISSUED
Ⓐ				
Ⓑ				



T8*8

www.cxsw3d.com

Surface Treatment: None

APPROVALS	DATE	 深圳市创想三维科技有限公司 SHENZHEN CREALITY 3D TECHNOLOGY CO.,LTD	
DRAWN		PART NAME	MATERIAL
CHECKED			
ISSUED		DRAWING NO.	
General Tolerance Reference GB/T 1804-m		z nut	SIZE: A4 SCALE: 2:1 UNIT: MM
			REV. A SHEET 1 OF 1