

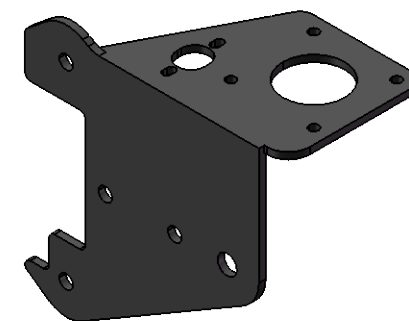
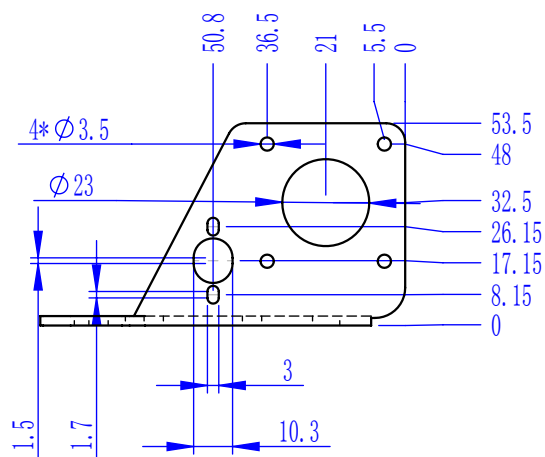
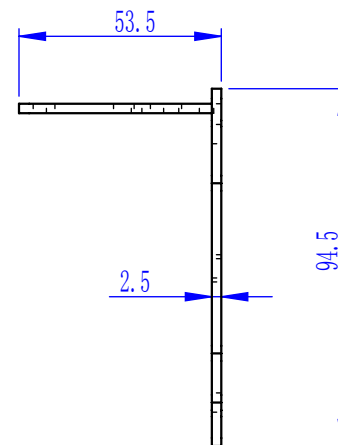
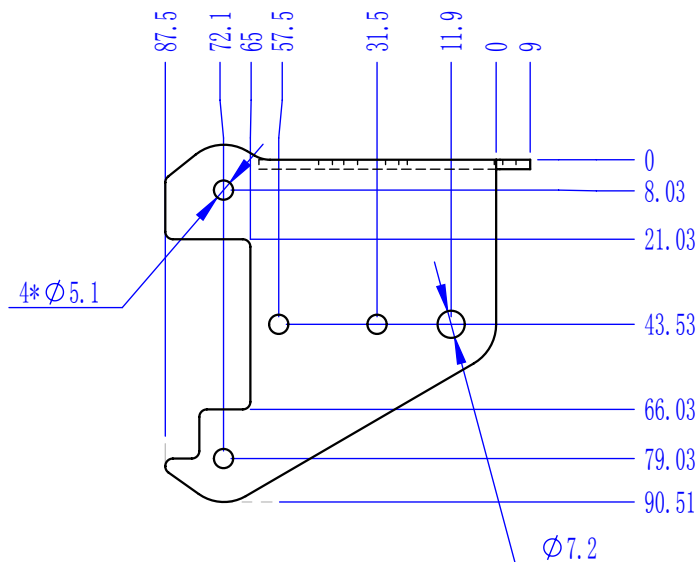
1

2

3


4

REV.	DATE	REVISION ORIGINOR	SIGN	ISSUED
Ⓐ				
Ⓑ				



www.cxsw3d.com

Surface Treatment: Black Powder

APPROVALS		DATE	 深圳市创想三维科技有限公司 SHENZHEN CREALITY 3D TECHNOLOGY CO.,LTD	
DRAWN			PART NAME	MATERIAL
CHECKED				
ISSUED			DRAWING NO.	SIZE A4 SCALE 1:2 UNIT: MM
General Tolerance Reference GB/T 1804-m				

b

a