

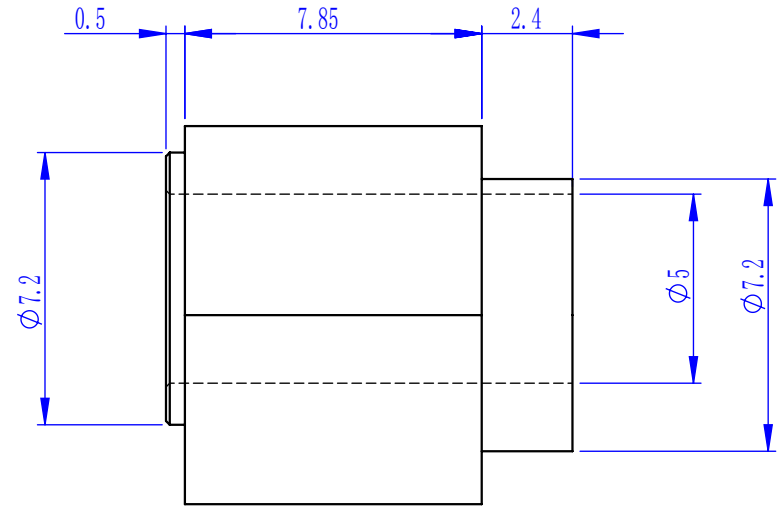
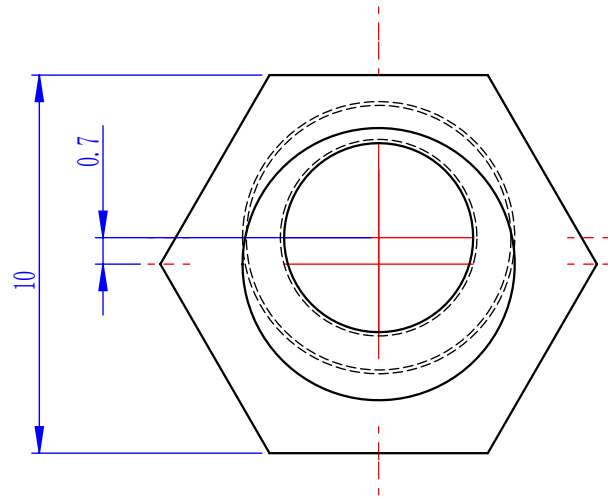
1

2

3

4

REV.	DATE	REVISION ORIGINOR	SIGN	ISSUED
Ⓐ				
Ⓑ				



b

a

[www.cxsw3d.com](http://www.cxsw3d.com)

Surface Treatment: None

APPROVALS		DATE	 深圳市创想三维科技有限公司 SHENZHEN CREALITY 3D TECHNOLOGY CO.,LTD	
DRAWN			PART NAME	MATERIAL Stainless Steel
CHECKED				
ISSUED			DRAWING NO. Eccentric column	 
General Tolerance Reference GB/T 1804-m				SIZE A4 SCALE 5:1 UNIT: MM