

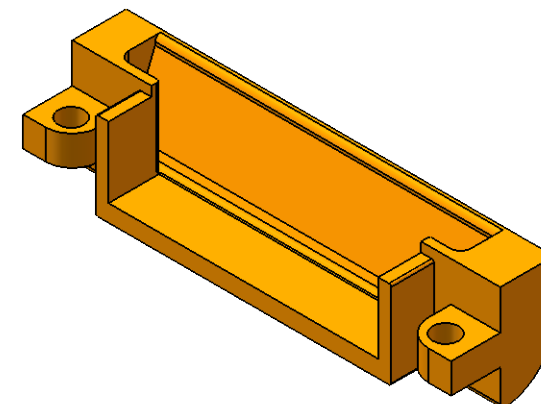
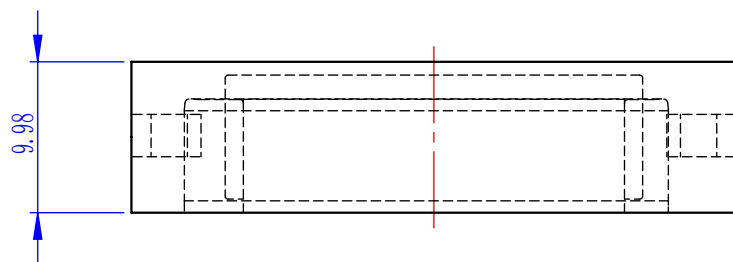
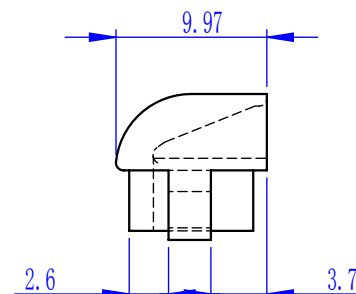
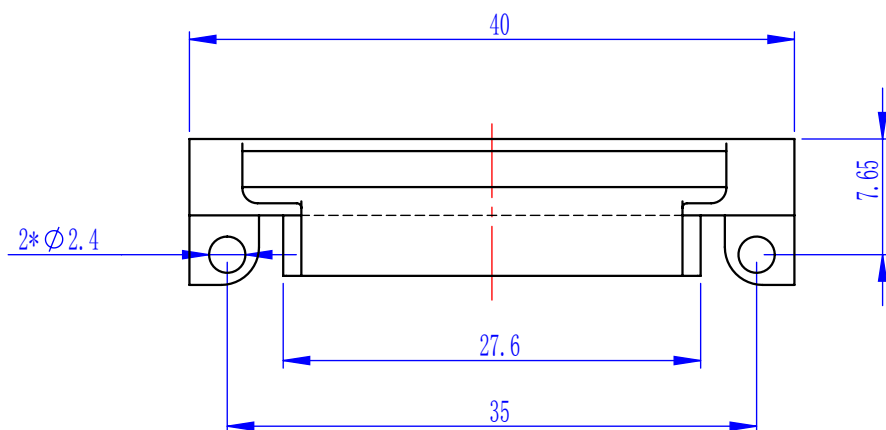
1

2

3

4

REV.	DATE	REVISION ORIGINOR	SIGN	ISSUED
Ⓐ				
Ⓑ				


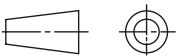


b

a

www.cxsw3d.com

Surface Treatment: None

APPROVALS		DATE		 深圳市创想三维科技有限公司 SHENZHEN CREALITY 3D TECHNOLOGY CO.,LTD		PART NAME		MATERIAL			
DRAWN						ABS		REV. A			
CHECKED						DRAWING NO.		SIZE A4		SCALE 2:1	
ISSUED				General Tolerance Reference GB/T 1804-m		Nozzle fan duct		UNIT: MM			