

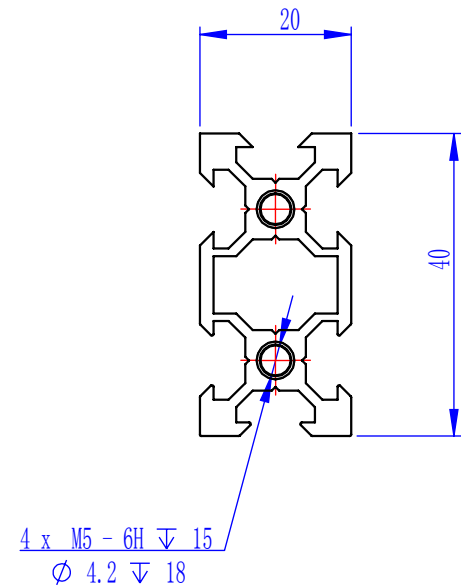
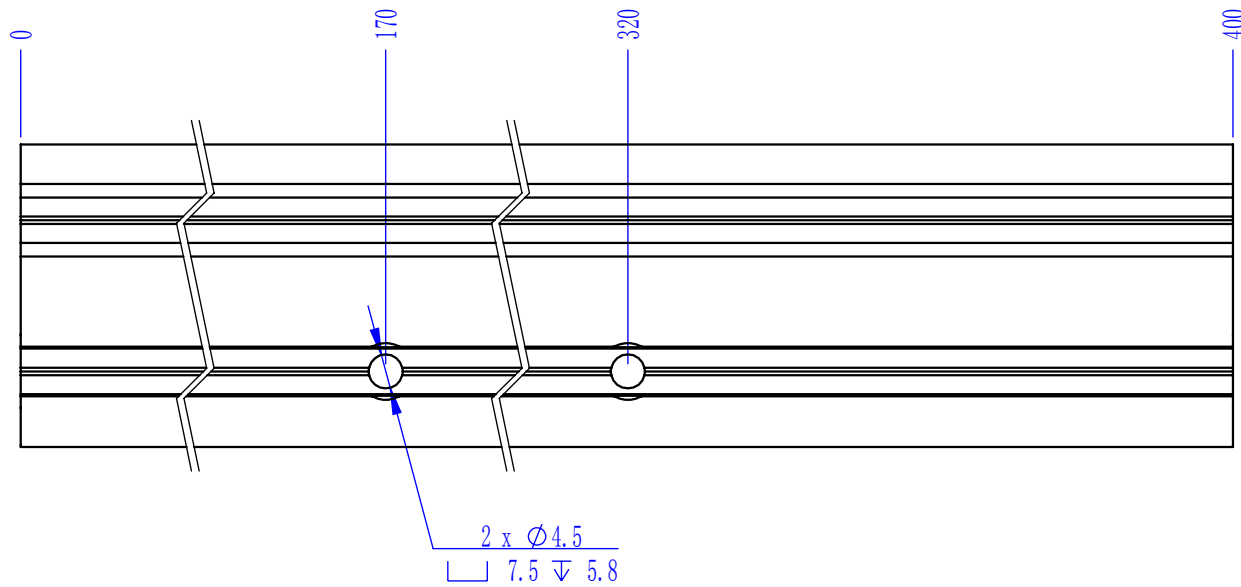
1

2

3

4

REV.	DATE	REVISION ORIGINOR	SIGN	ISSUED
Ⓐ				
Ⓑ				



b

a

www.cxsw3d.com

Surface Treatment: Black anodized

APPROVALS		DATE	 深圳市创想三维科技有限公司 SHENZHEN CREALITY 3D TECHNOLOGY CO.,LTD	
DRAWN			PART NAME 2040 Right Profile	MATERIAL  
CHECKED				
ISSUED				
General Tolerance Reference GB/T 1804-m		DRAWING NO. 2040 profile	SIZE A4	SCALE 1:1
			UNIT: MM	REV. A SHEET 2 OF 3