

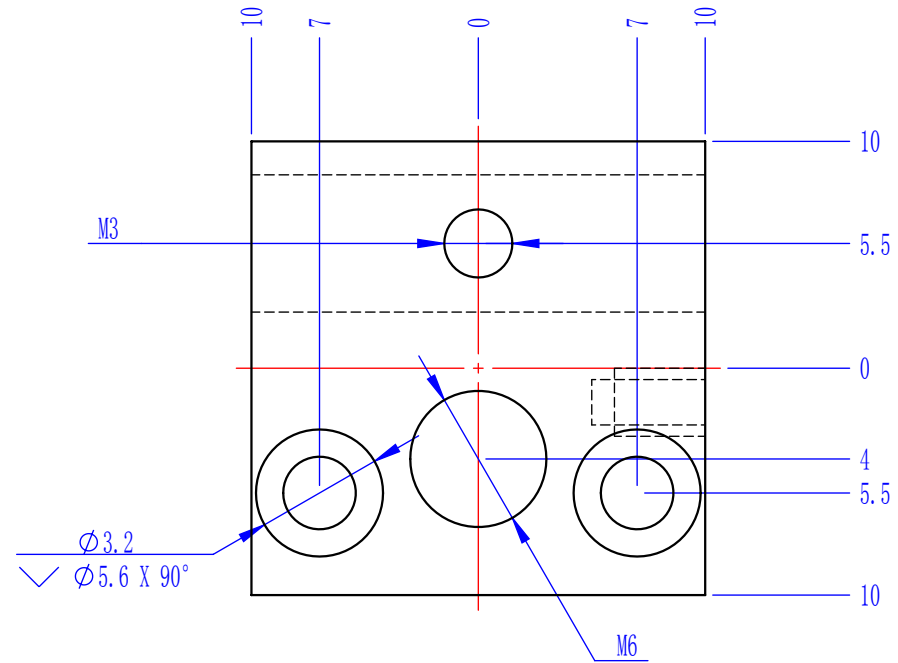
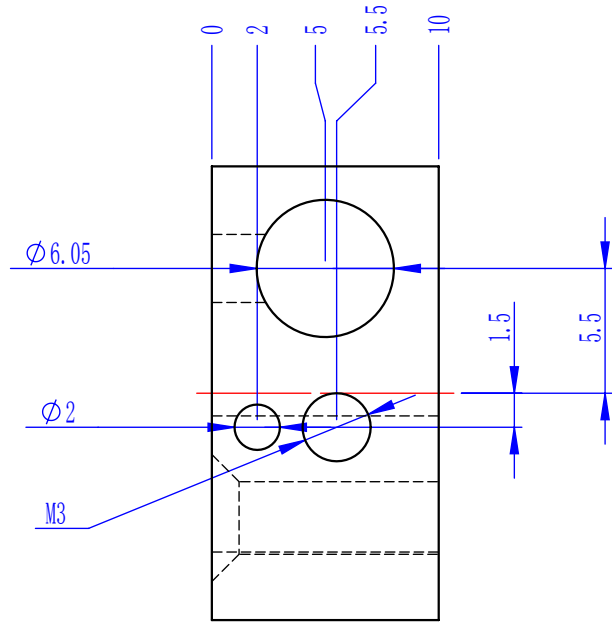
1

2

3

4

REV.	DATE	REVISION ORIGINOR	SIGN	ISSUED
Ⓐ				
Ⓑ				



b

a

[www.cxsw3d.com](http://www.cxsw3d.com)

Surface Treatment: Glod anodized

APPROVALS		DATE	 深圳市创想三维科技有限公司 SHENZHEN CREALITY 3D TECHNOLOGY CO.,LTD	
DRAWN			PART NAME	MATERIAL
CHECKED				
ISSUED				
General Tolerance Reference GB/T 1804-m			DRAWING NO.	SIZE A4
			Heat block	SCALE 3:1
				UNIT: MM
				REV. A SHEET 1 OF 1