

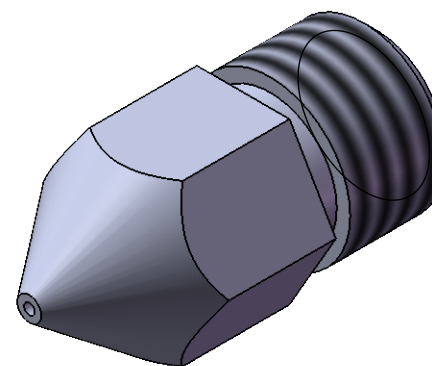
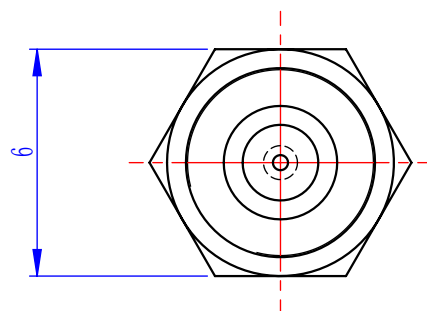
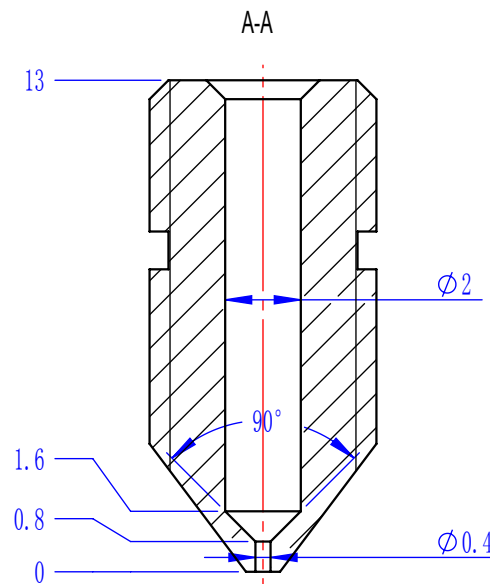
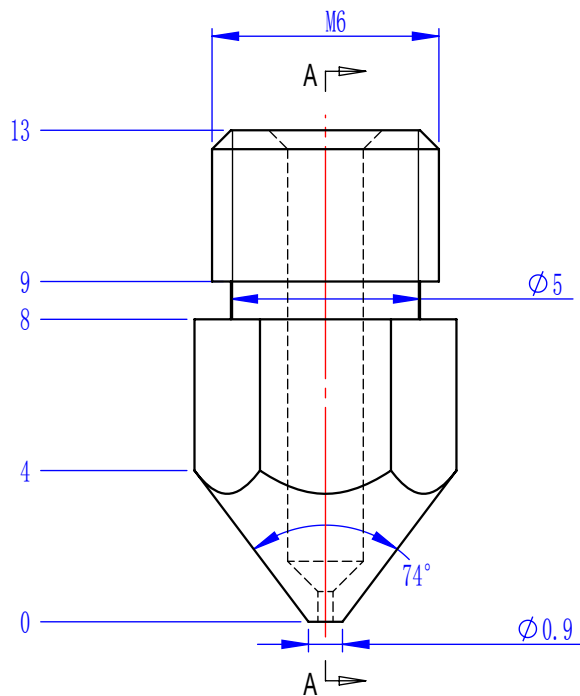
1

2

3

4

REV.	DATE	REVISION ORIGINOR	SIGN	ISSUED
(A)				
(B)				



www.cxsw3d.com

b

a

Surface Treatment: None

APPROVALS		DATE	 深圳市创想三维科技有限公司 SHENZHEN CREALITY 3D TECHNOLOGY CO.,LTD	
DRAWN			PART NAME	MATERIAL
CHECKED				
ISSUED			DRAWING NO.	SIZE A4 SCALE 5:1 UNIT: MM
General Tolerance Reference GB/T 1804-m				