

1

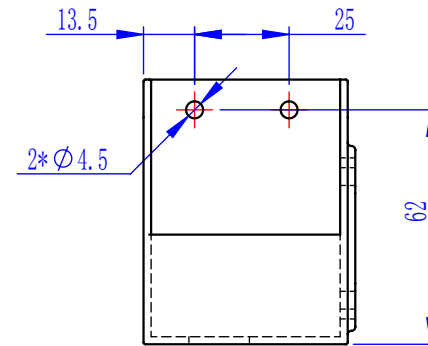
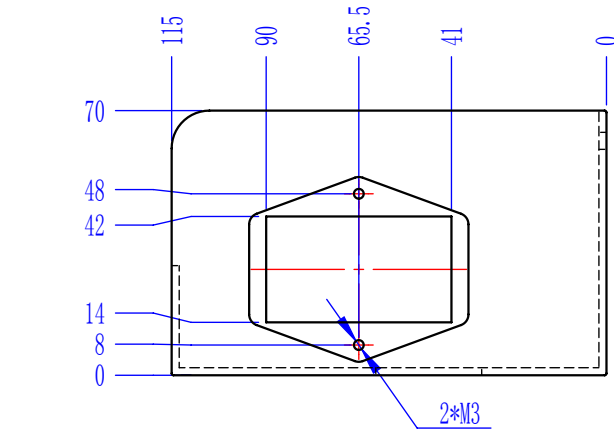
2

3

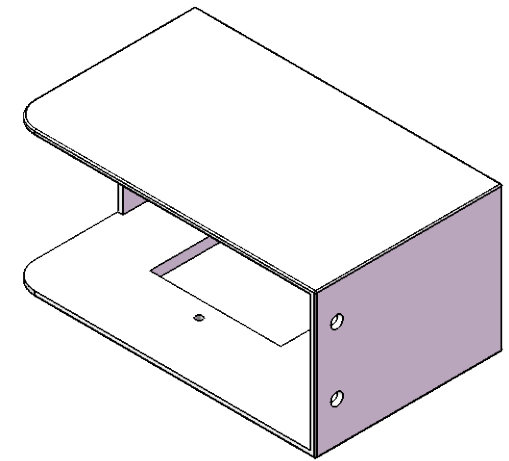
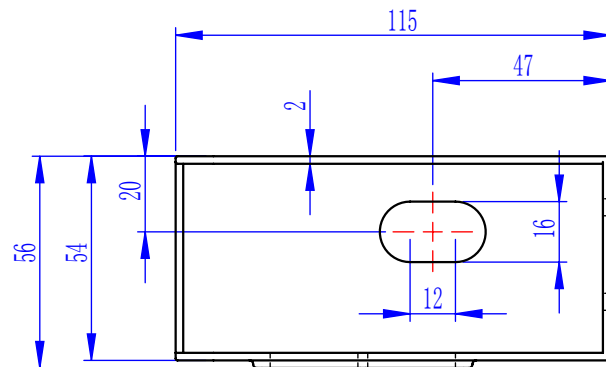
4

REV.	DATE	REVISION ORIGINOR	SIGN	ISSUED
(A)				
(B)				

b




a



www.cxsw3d.com

Surface Treatment: None

APPROVALS		DATE	 深圳市创想三维科技有限公司 SHENZHEN CREALITY 3D TECHNOLOGY CO.,LTD	
DRAWN			PART NAME	MATERIAL
CHECKED				
ISSUED			DRAWING NO.	SIZE
General Tolerance Reference GB/T 1804-m				
			SCALE	REV.
			1:2	A
			UNIT: MM	SHEET 1 OF 1