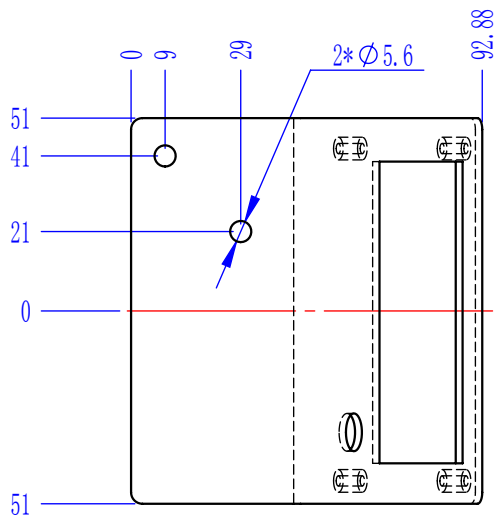
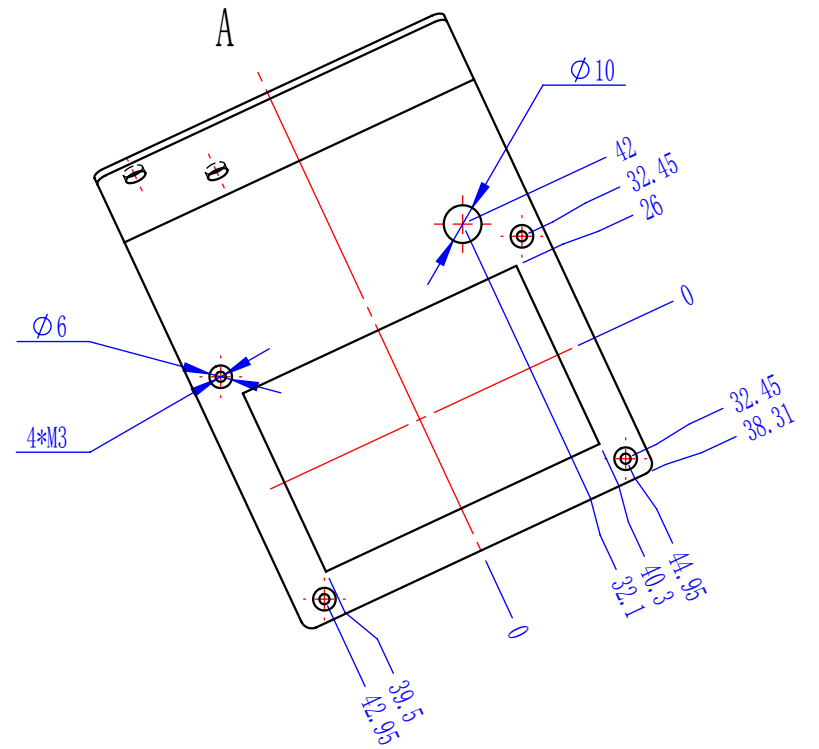
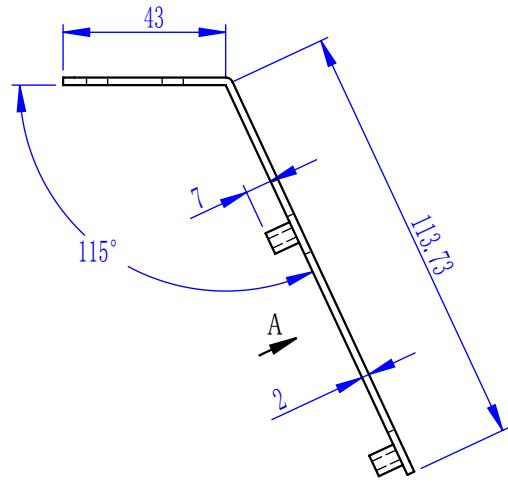


1 | 2 | 3 | 4

REV.	DATE	REVISION ORIGINOR	SIGN	ISSUED
(A)				
(B)				



b

a

www.cxsw3d.com

Surface Treatment: Black Powder

APPROVALS		DATE	 深圳市创想三维科技有限公司 SHENZHEN CREALITY 3D TECHNOLOGY CO.,LTD		
DRAWN			PART NAME	MATERIAL	
CHECKED					DRAWING NO.
ISSUED			SIZE	REV.	
General Tolerance Reference GB/T 1804-m			LCD support	A4	1:2
			UNIT: MM	SHEET 1 OF 1	