

1

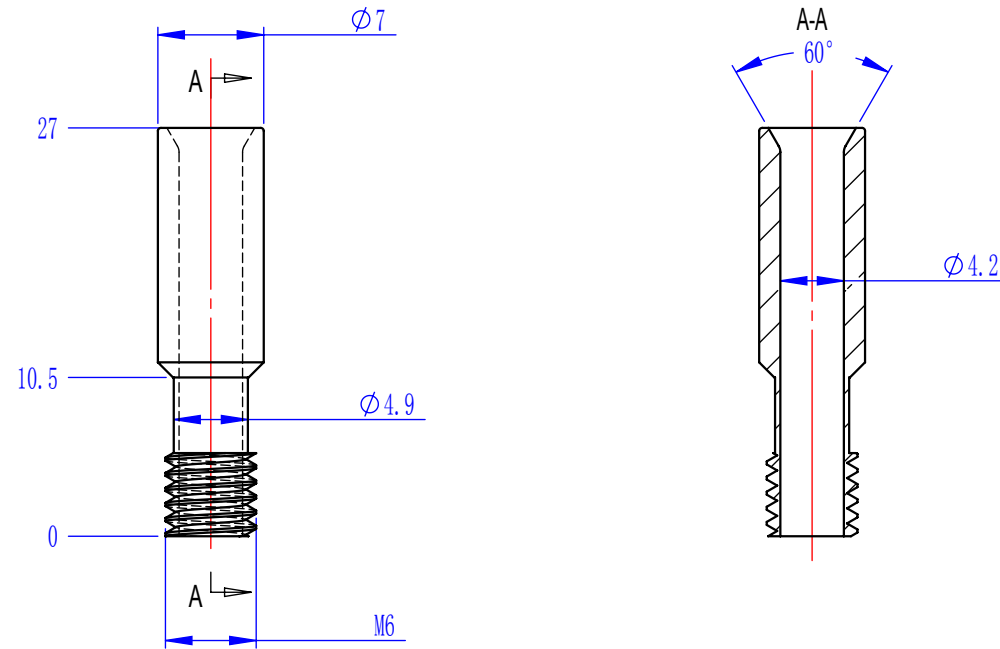
2

3

4

REV.	DATE	REVISION ORIGINOR	SIGN	ISSUED
(A)				
(B)				

b



a

Surface Treatment: None

www.cxsw3d.com

APPROVALS		DATE		 深圳市创想三维科技有限公司 SHENZHEN CREALITY 3D TECHNOLOGY CO.,LTD	
DRAWN					
CHECKED					
ISSUED					
General Tolerance Reference GB/T 1804-m				PART NAME Catheter	
DRAWING NO.		SIZE A4		MATERIAL Stainless Steel	
		SCALE 2:1		REV. A	
UNIT: MM				SHEET 1 OF 1	

