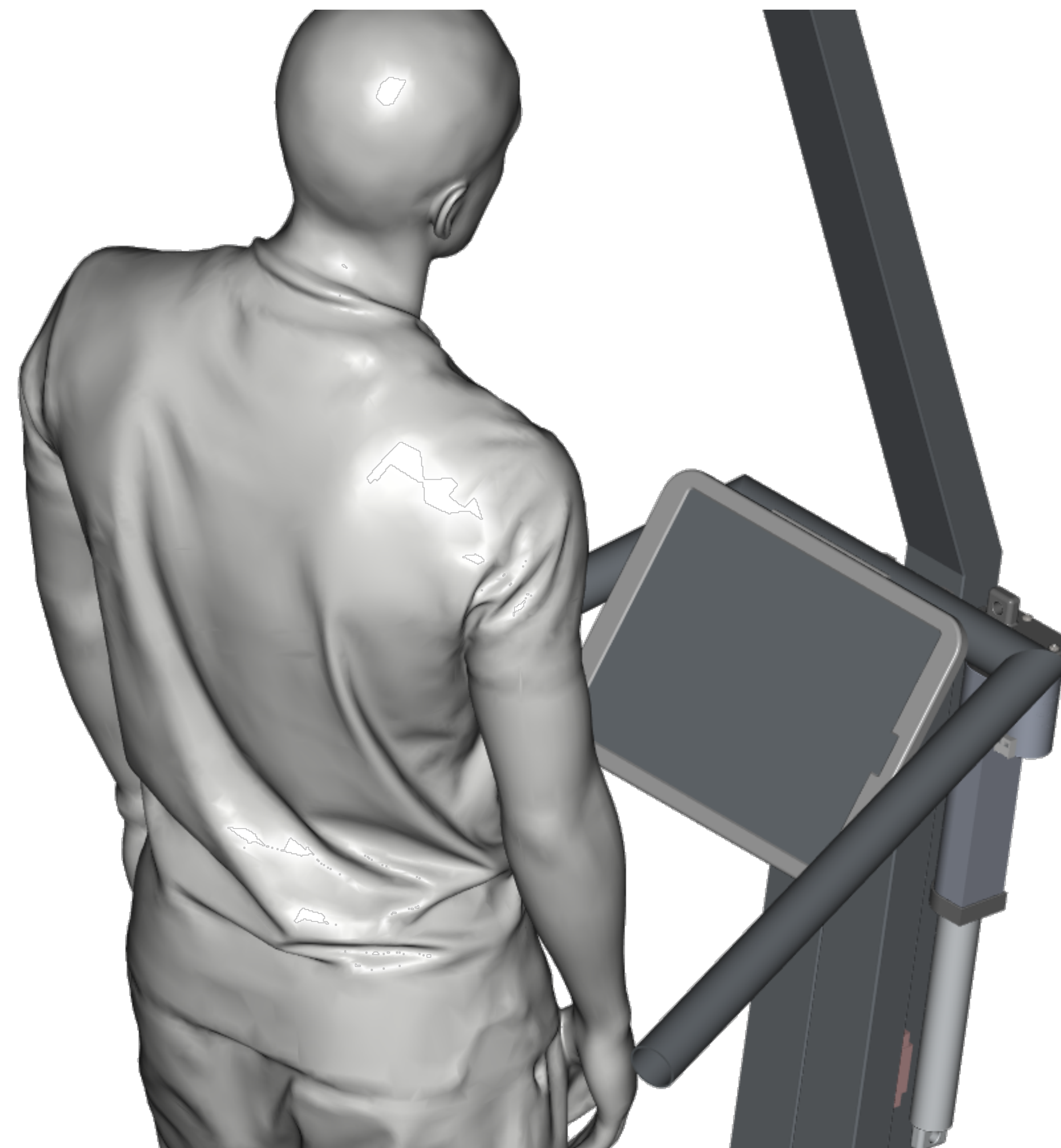
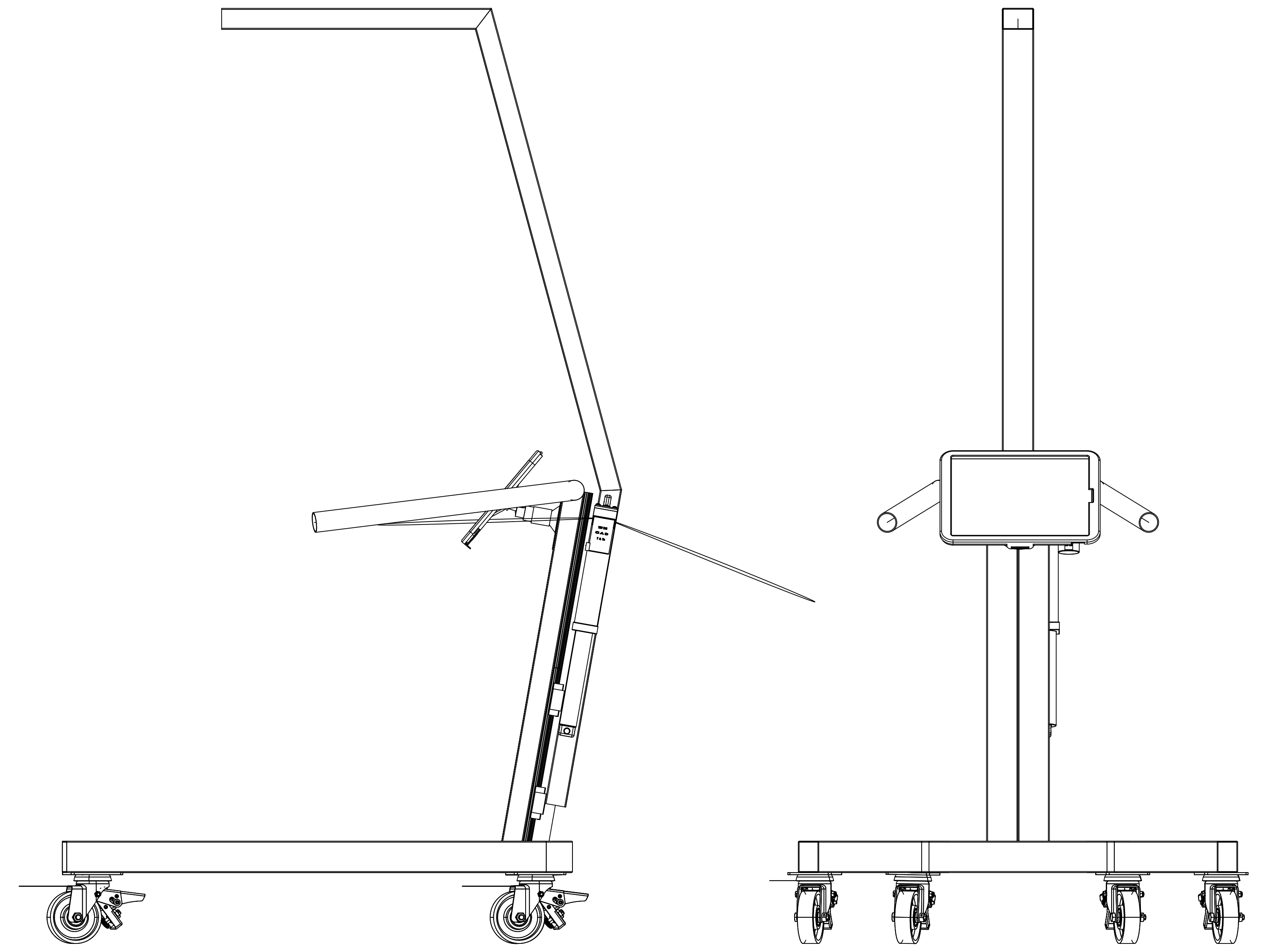




Perspective

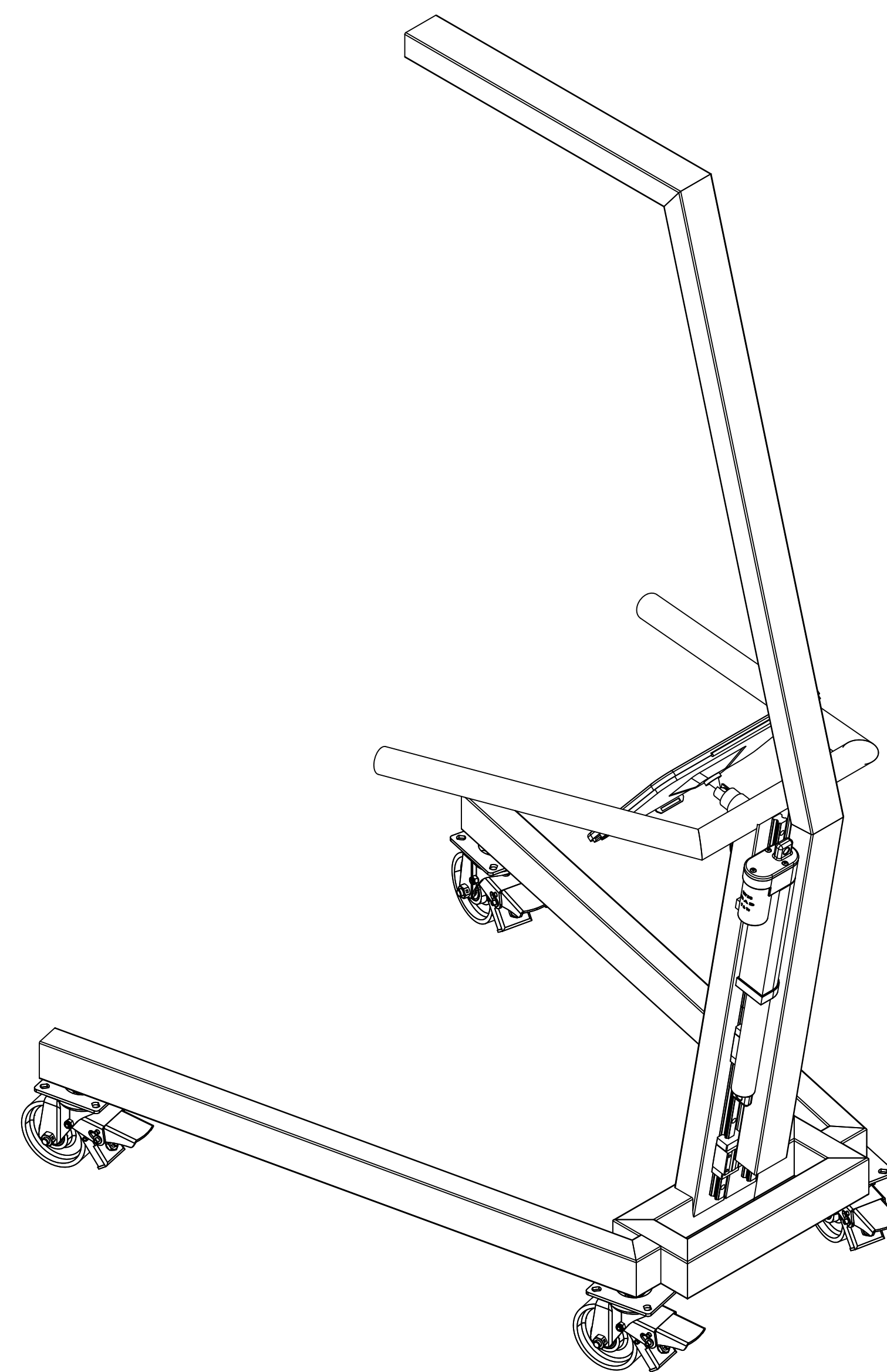


User Mengoperasikan Tab

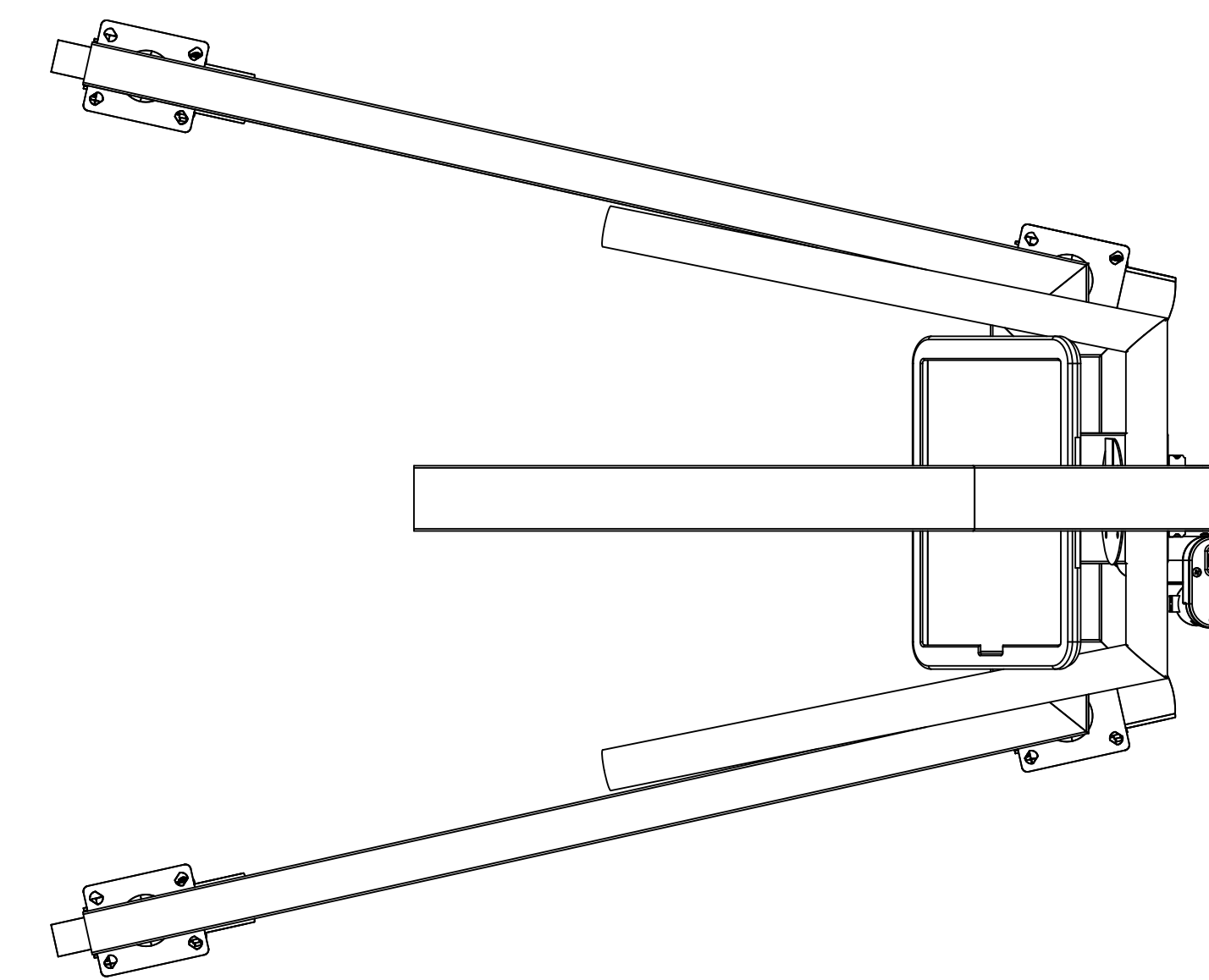


Right

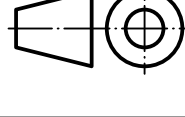
Front



Perspective



Top

Part Material:	General tolerances:	Scale:		
-	-	1 : 5.9		
Title:	Created by:	Owner:		
Walking Harness	Anggoro Dwi Nur Rohman			
Document type:	Approved by:			
Review Demo				
Drawing number:	Paper size:	Issue date:	Revision:	Sheet:
	A0	3/7/2024	0	1/1